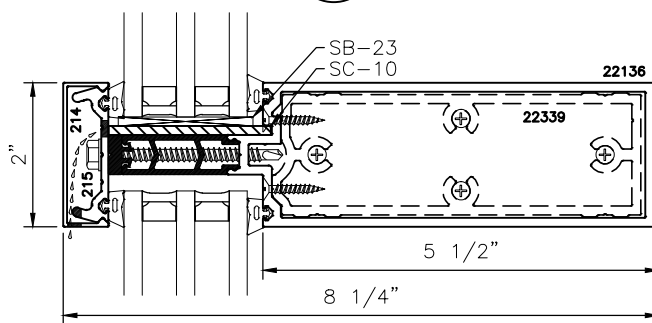
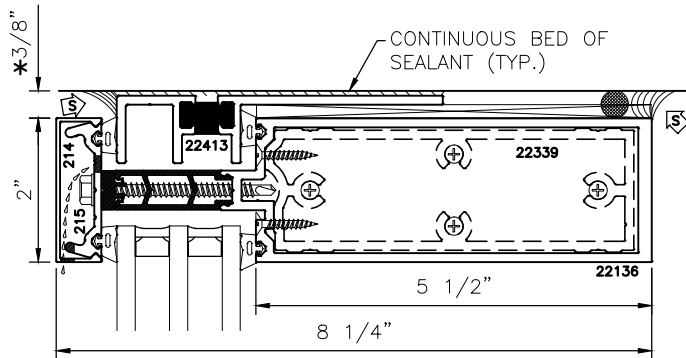
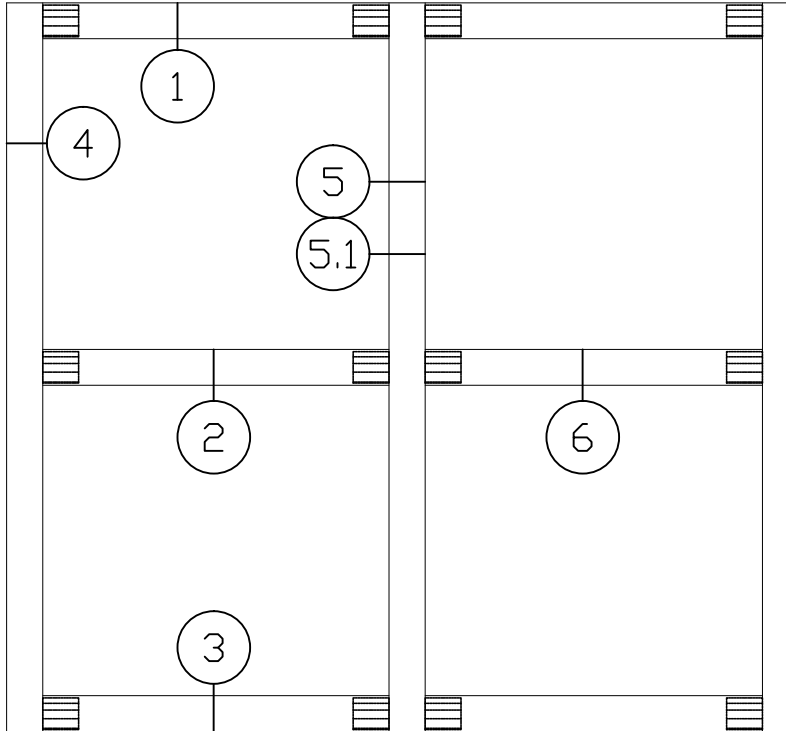




200xpt-3

2" X 8-1/4" (5-1/2" B. M.) HIGH PERFORMANCE THERMAL CURTAIN WALL STANDARD/OPTIONAL DETAILS

* MINIMUM RECOMMENDED FOR THERMAL ISOLATION.
INCREASE AS REQUIRED TO COMPLY WITH SEALANT
MANUFACTURERS' INSTRUCTIONS

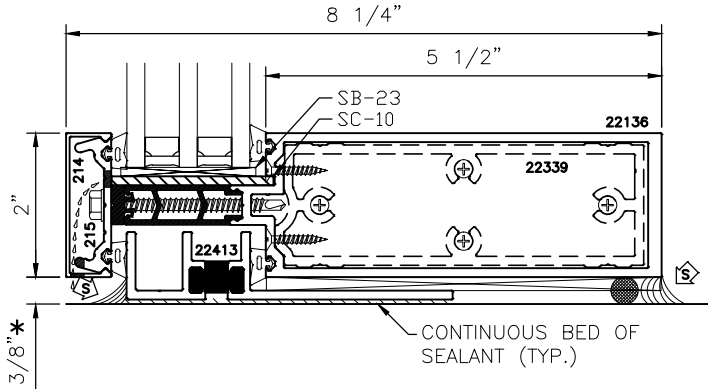




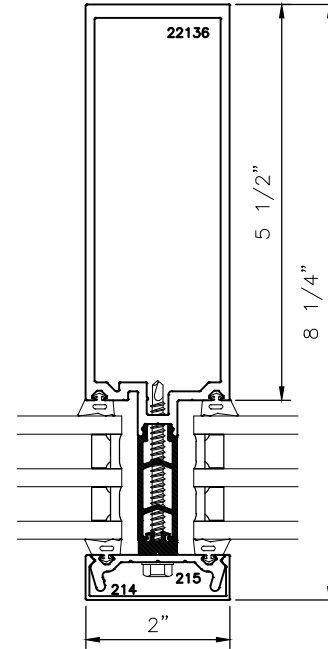
200xpt-3

2" X 8-1/4" (5-1/2" B. M.) HIGH PERFORMANCE THERMAL CURTAIN WALL STANDARD/OPTIONAL DETAILS

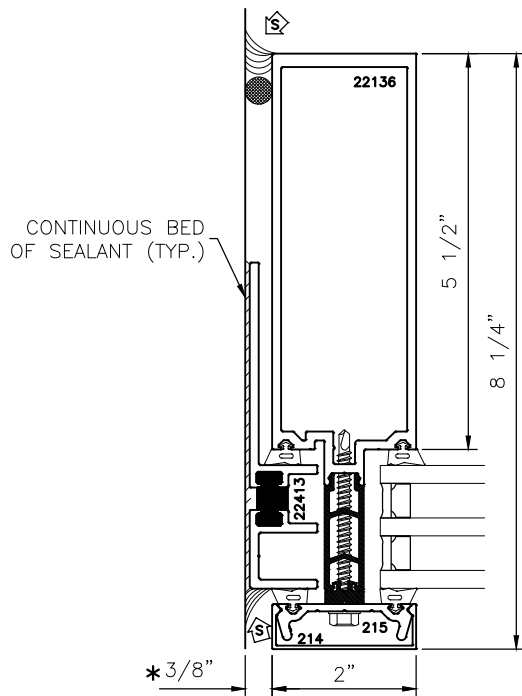
* MINIMUM RECOMMENDED FOR THERMAL ISOLATION.
INCREASE AS REQUIRED TO COMPLY WITH SEALANT
MANUFACTURERS' INSTRUCTIONS



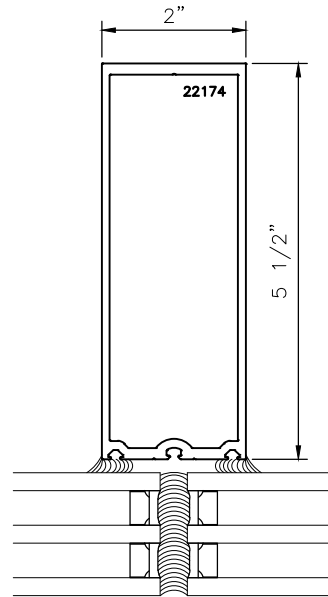
3



5



4



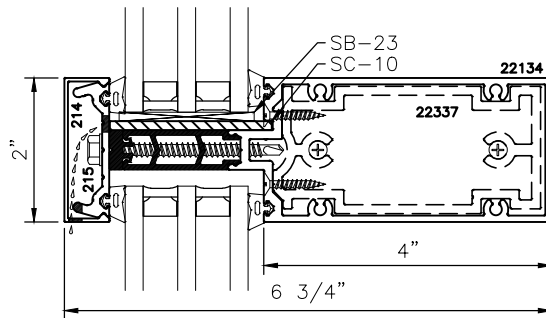
OPT.
5.1



200xpt-3

2" X 8-1/4" (5-1/2" B. M.) HIGH PERFORMANCE THERMAL CURTAIN WALL STANDARD/OPTIONAL DETAILS

* MINIMUM RECOMMENDED FOR THERMAL ISOLATION.
INCREASE AS REQUIRED TO COMPLY WITH SEALANT
MANUFACTURERS' INSTRUCTIONS



6