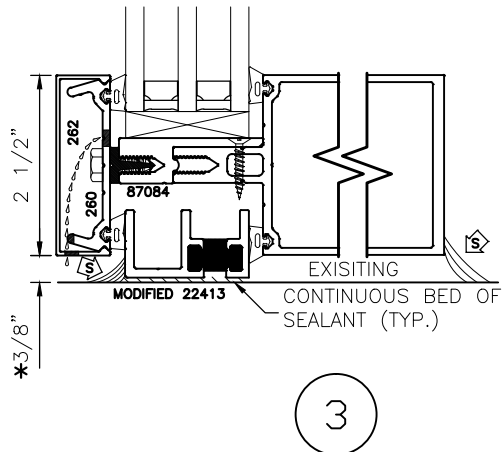
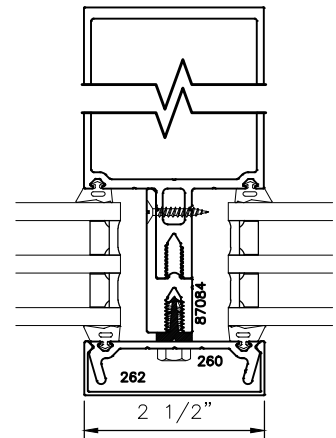
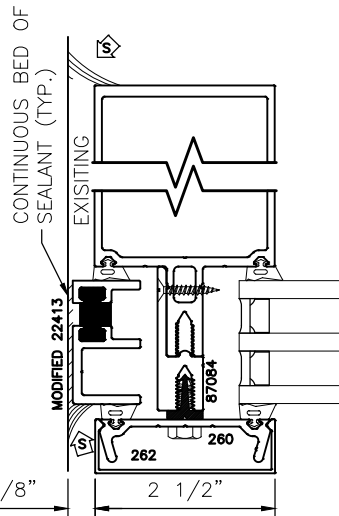
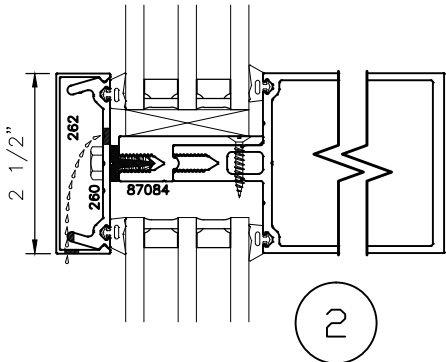
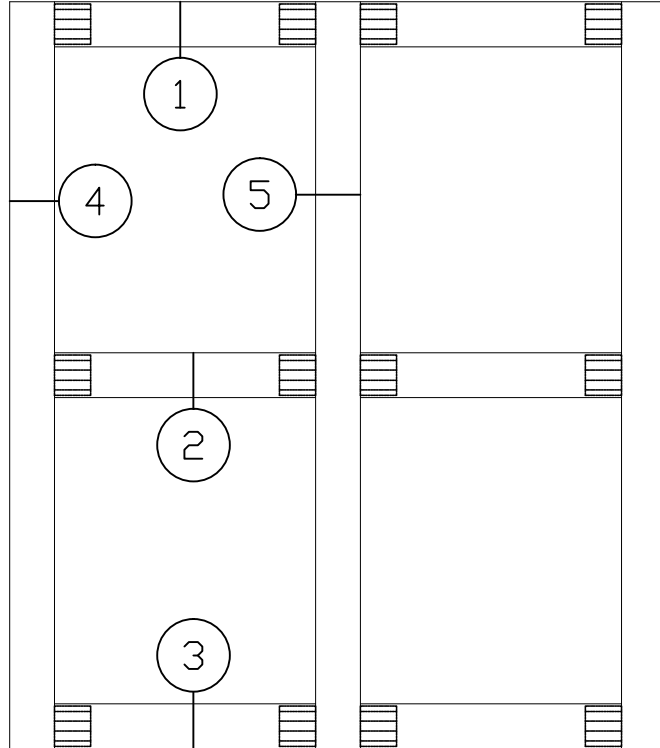
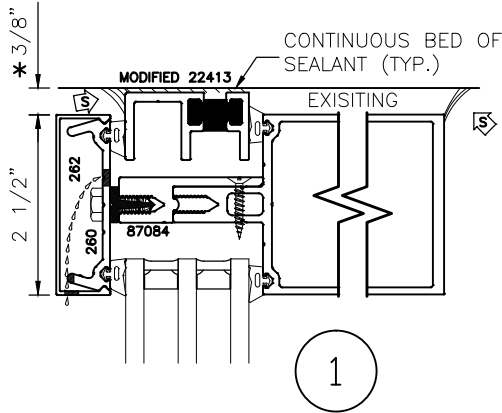




250 C.W.

2-1/2" TRIPLE GLAZED
RETROFIT
CURTAIN WALL

* MINIMUM RECOMMENDED FOR THERMAL ISOLATION.
INCREASE AS REQUIRED TO COMPLY WITH SEALANT
MANUFACTURERS' INSTRUCTIONS



BACKMEMBER SIZE VARIES.