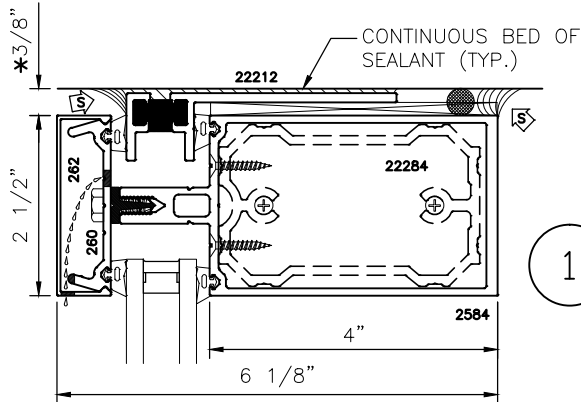
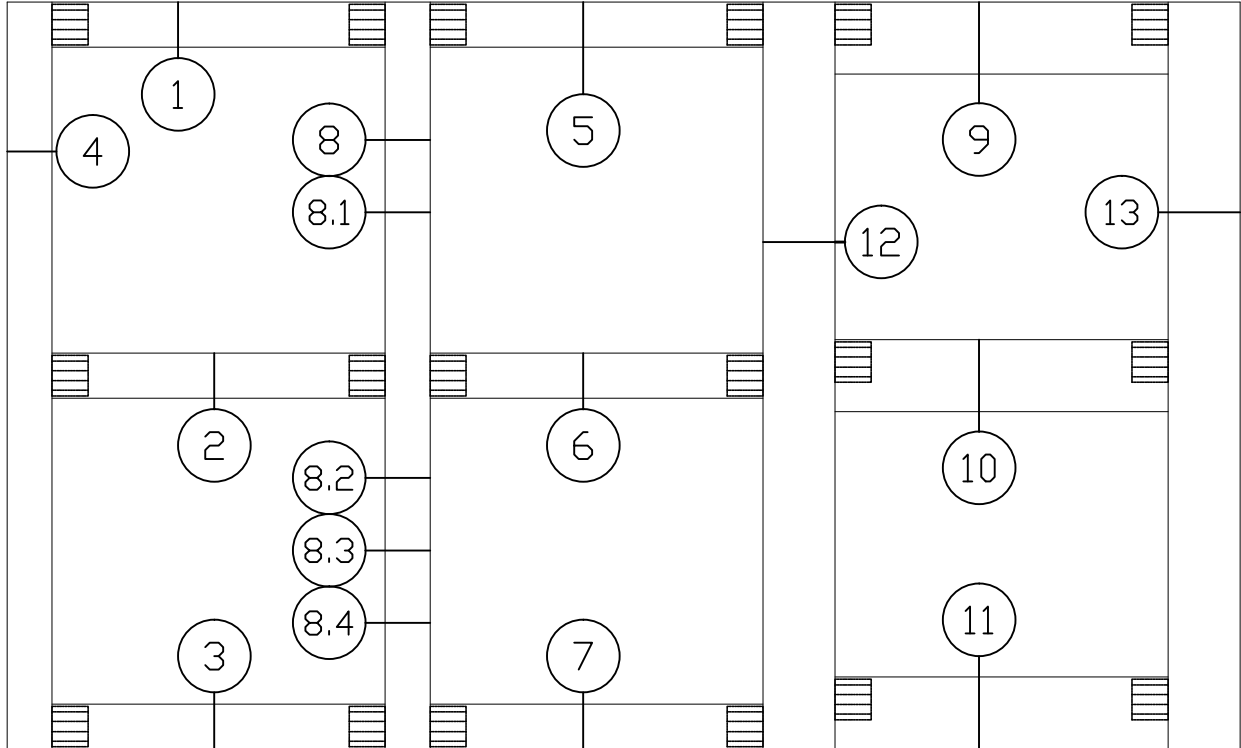


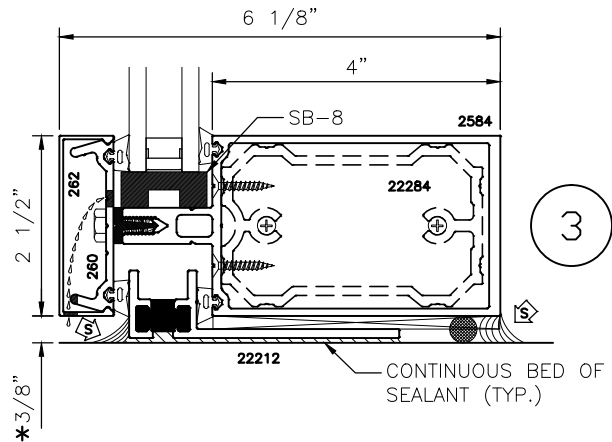


# 2-1/2" X 6-1/8" (4" B. M.) 250 C.W. EXTERIOR GLAZED CURTAIN WALL STANDARD/OPTIONAL DETAILS

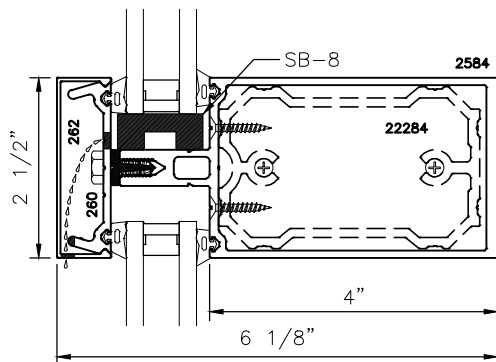
\* MINIMUM RECOMMENDED FOR THERMAL ISOLATION.  
INCREASE AS REQUIRED TO COMPLY WITH SEALANT  
MANUFACTURERS' INSTRUCTIONS



1



3

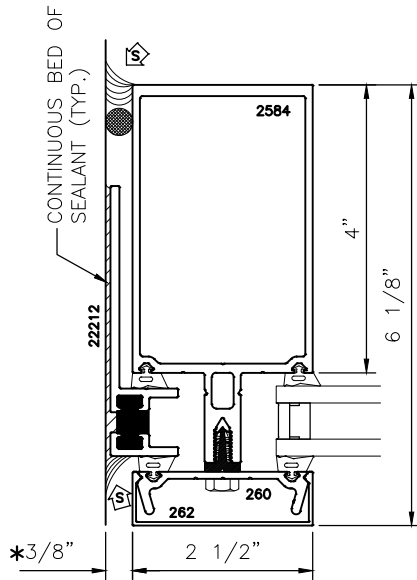


2

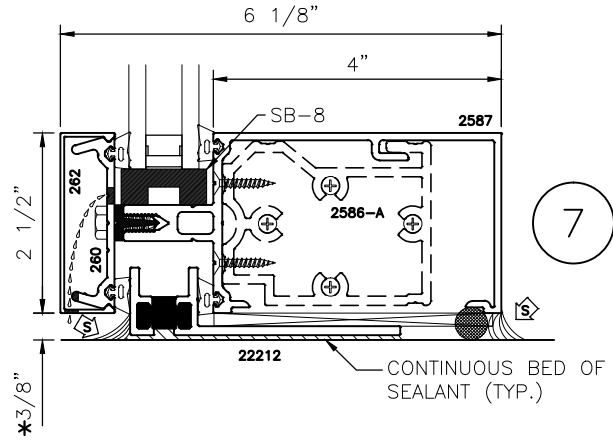


# 2-1/2" X 6-1/8" (4" B. M.) 250 C.W. EXTERIOR GLAZED CURTAIN WALL STANDARD/OPTIONAL DETAILS

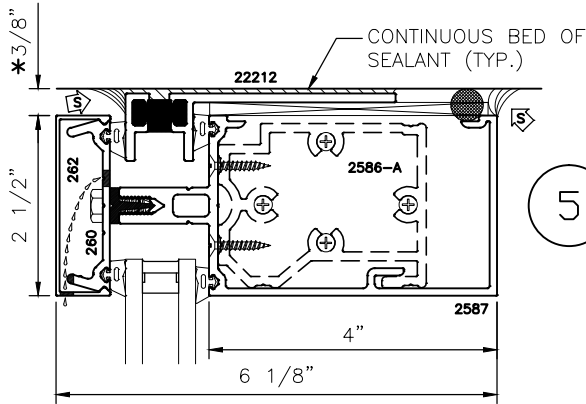
\* MINIMUM RECOMMENDED FOR THERMAL ISOLATION.  
INCREASE AS REQUIRED TO COMPLY WITH SEALANT  
MANUFACTURERS' INSTRUCTIONS



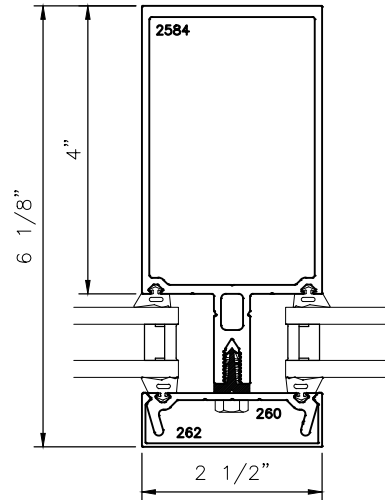
4



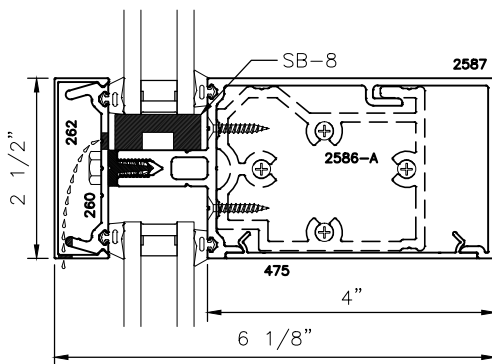
7



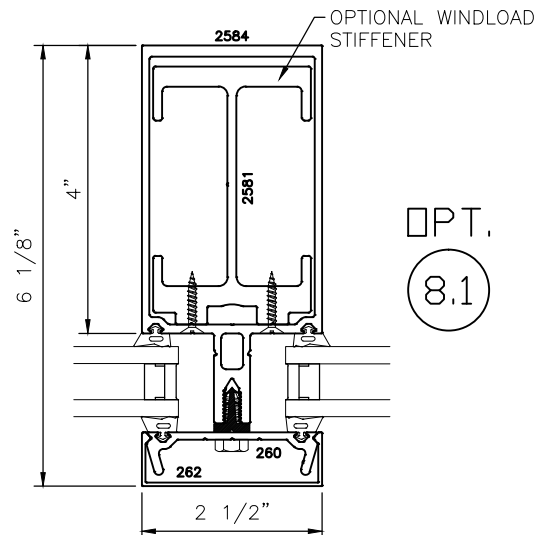
5



8



6

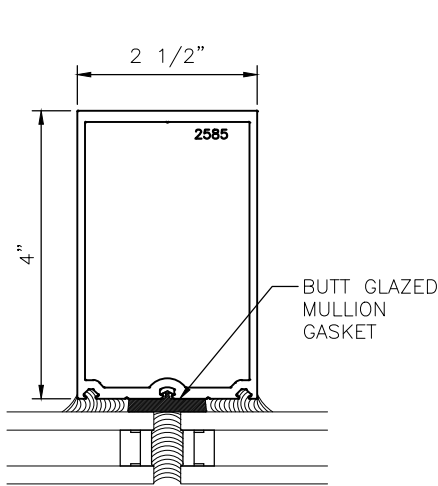


OPT.  
8.1

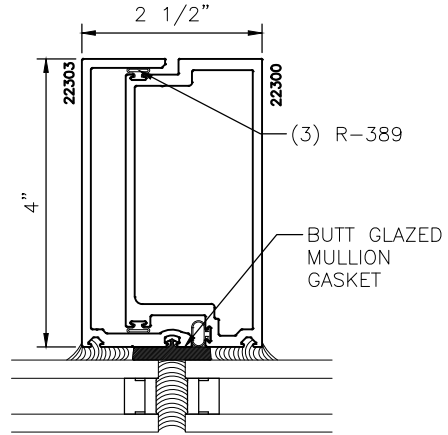


# 2-1/2" X 6-1/8" (4" B. M.) 250 C.W. EXTERIOR GLAZED CURTAIN WALL STANDARD/OPTIONAL DETAILS

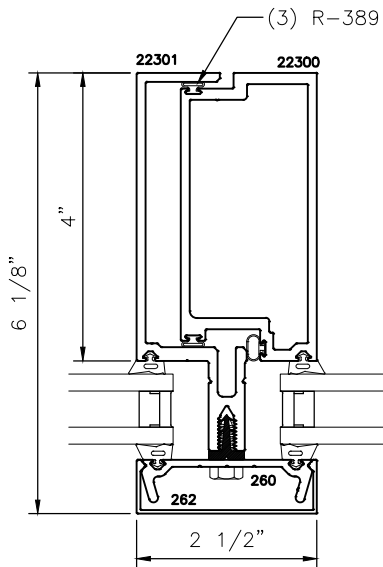
\* MINIMUM RECOMMENDED FOR THERMAL ISOLATION.  
INCREASE AS REQUIRED TO COMPLY WITH SEALANT  
MANUFACTURERS' INSTRUCTIONS



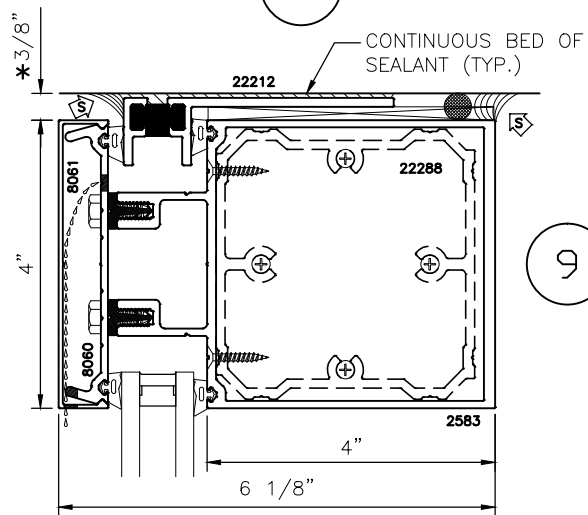
OPT.  
8.2



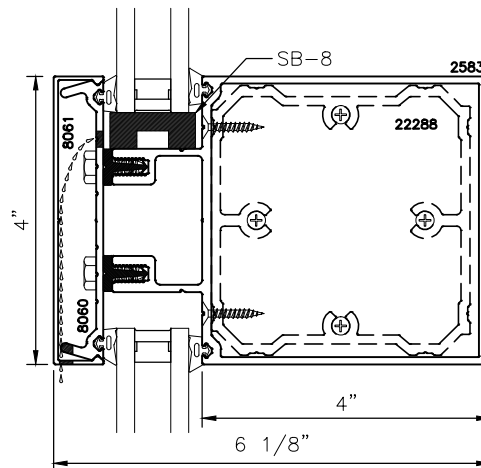
OPT.  
8.4



OPT.  
8.3



9

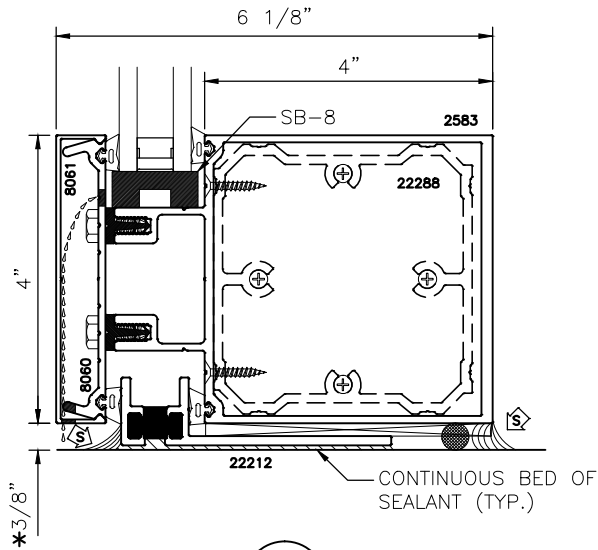


10

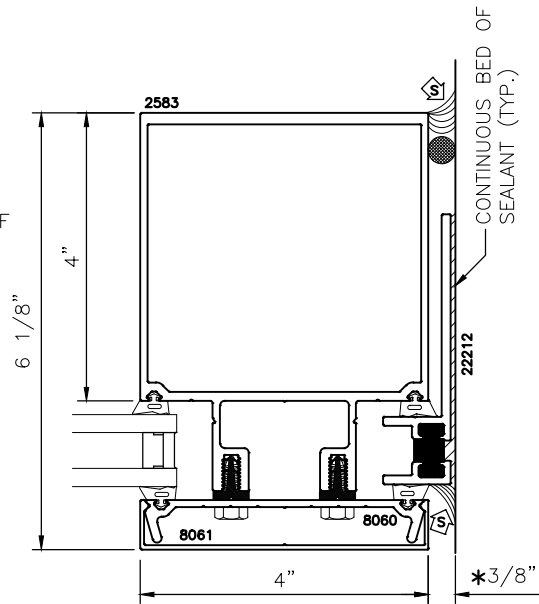


# 2-1/2" X 6-1/8" (4" B. M.) 250 C.W. EXTERIOR GLAZED CURTAIN WALL STANDARD/OPTIONAL DETAILS

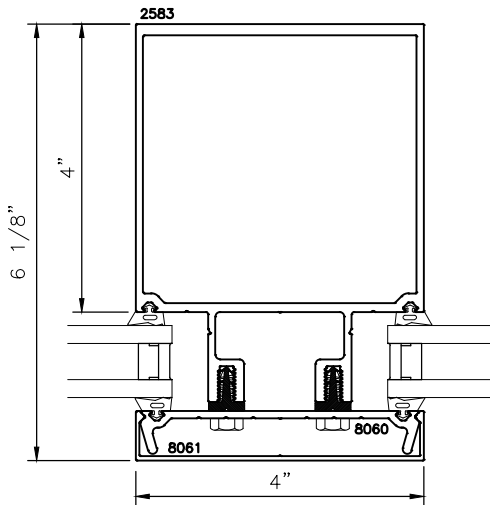
\* MINIMUM RECOMMENDED FOR THERMAL ISOLATION.  
INCREASE AS REQUIRED TO COMPLY WITH SEALANT  
MANUFACTURERS' INSTRUCTIONS



11



13



12