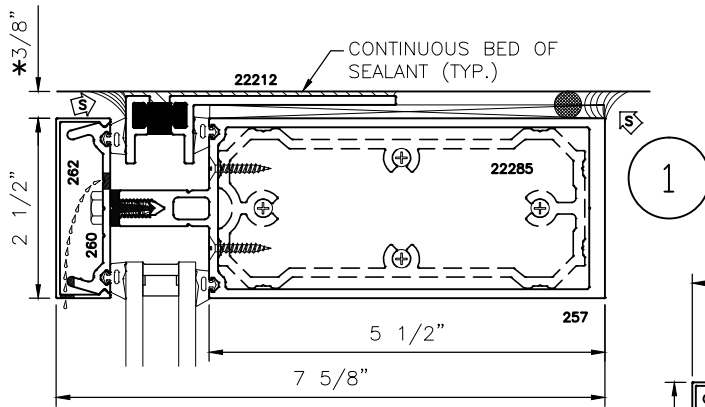
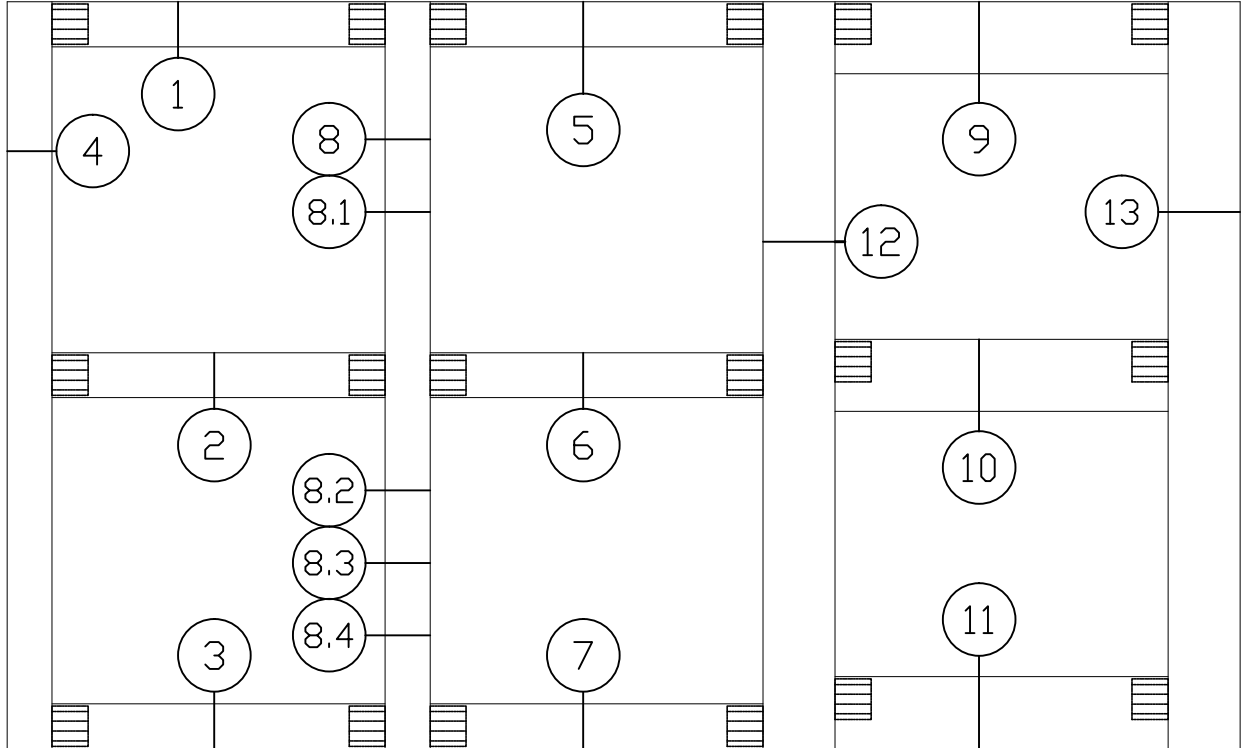




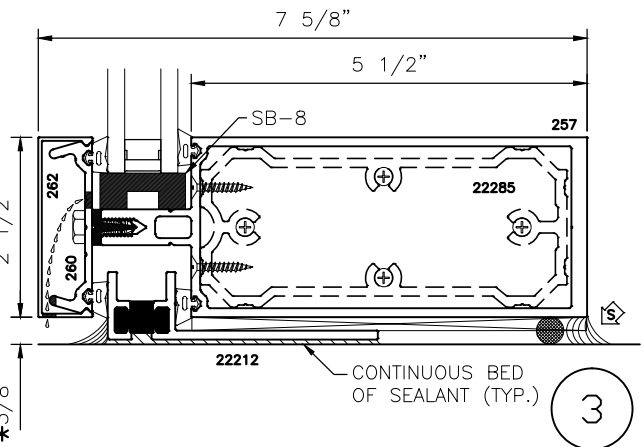
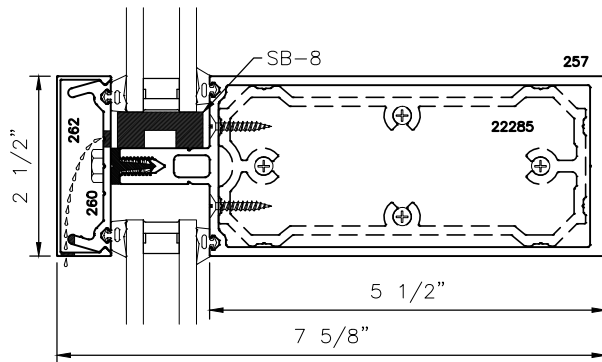
**2-1/2" X 7-5/8" (5-1/2" B. M.)**  
**250 C.W. EXTERIOR GLAZED CURTAIN WALL**  
**STANDARD/OPTIONAL DETAILS**

\* MINIMUM RECOMMENDED FOR THERMAL ISOLATION.  
 INCREASE AS REQUIRED TO COMPLY WITH SEALANT  
 MANUFACTURERS' INSTRUCTIONS



1

2

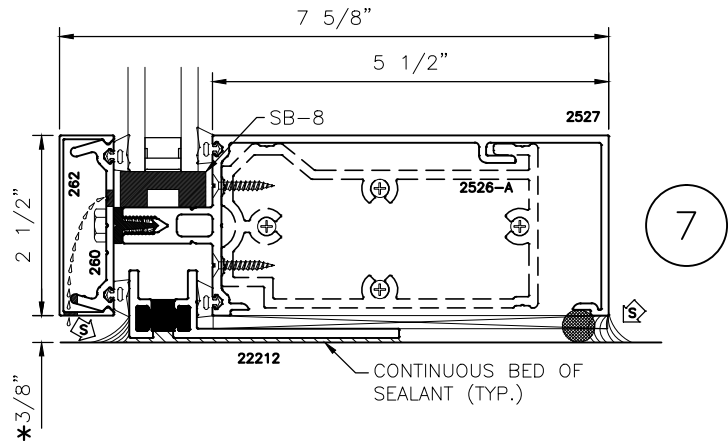
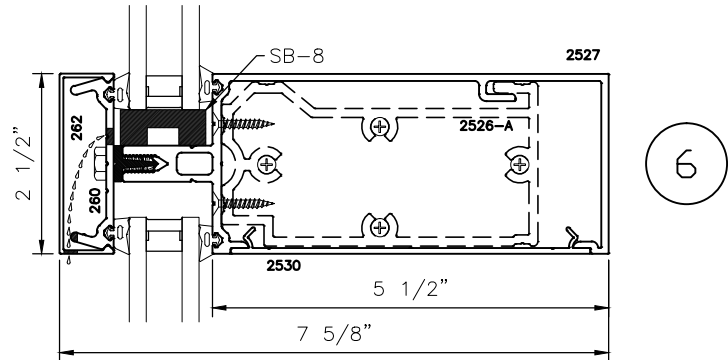
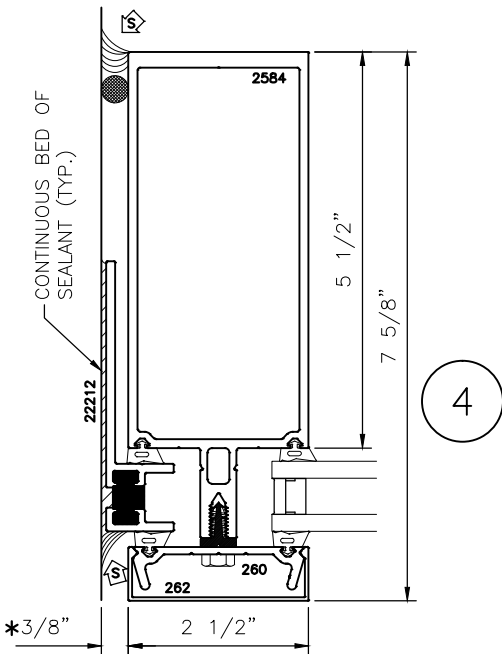
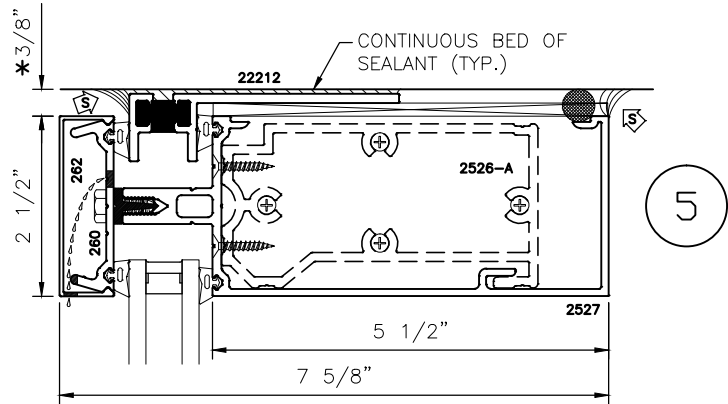


3



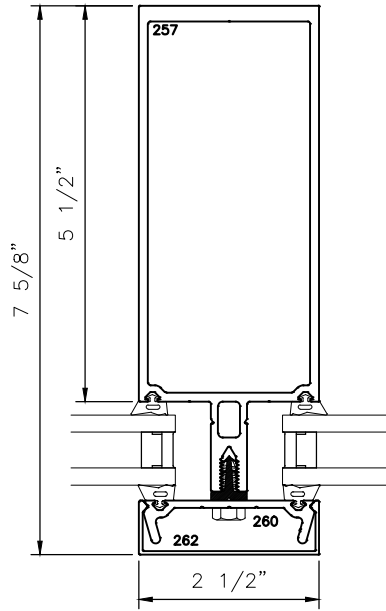
# 2-1/2" X 7-5/8" (5 1/2" B. M.) 250 C.W. EXTERIOR GLAZED CURTAIN WALL STANDARD/OPTIONAL DETAILS

\* MINIMUM RECOMMENDED FOR THERMAL ISOLATION.  
INCREASE AS REQUIRED TO COMPLY WITH SEALANT  
MANUFACTURERS' INSTRUCTIONS

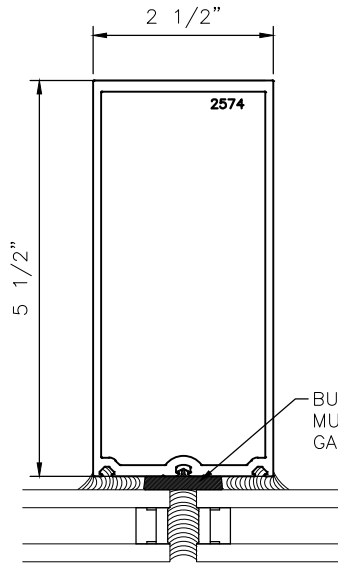




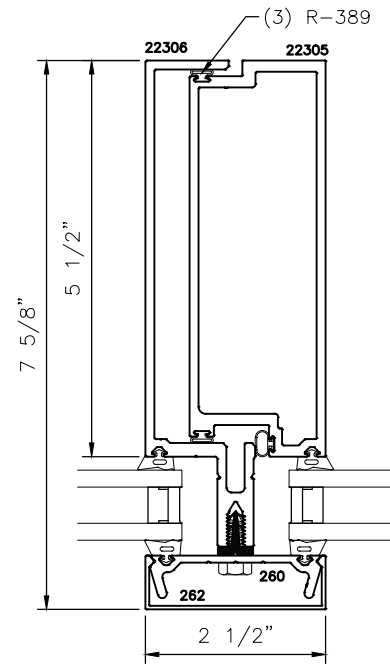
# 2-1/2" X 7-5/8" (5 1/2" B. M.) 250 C.W. EXTERIOR GLAZED CURTAIN WALL STANDARD/OPTIONAL DETAILS



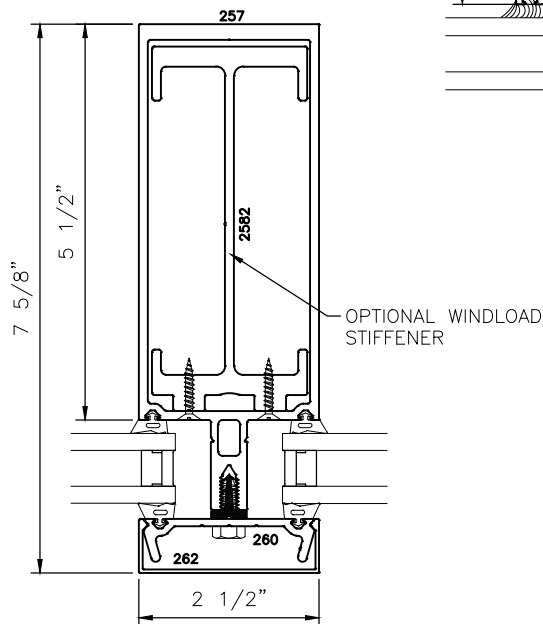
8



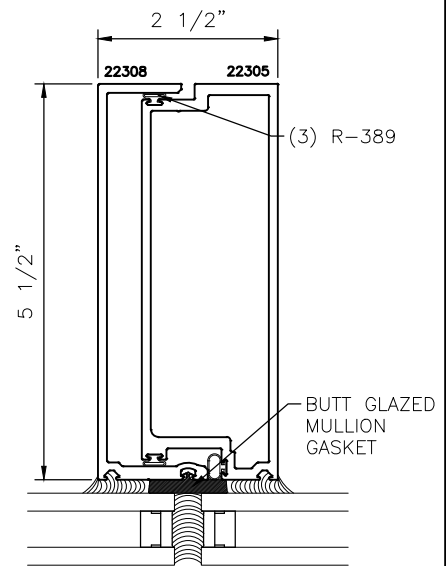
OPT.  
8.2



OPT.  
8.3



OPT.  
8.1

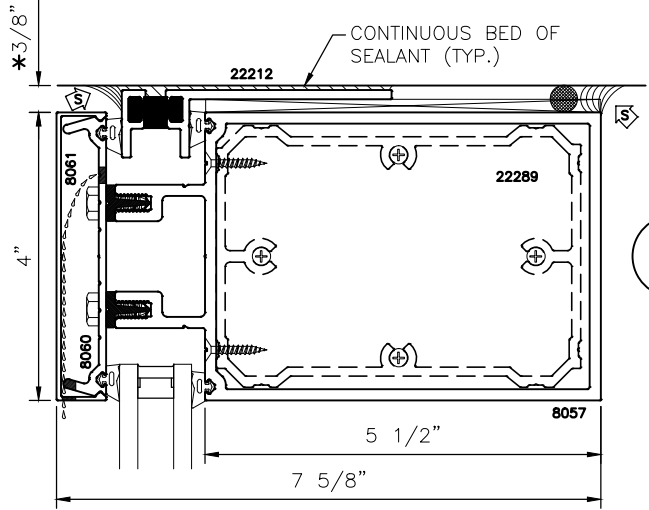


OPT.  
8.4

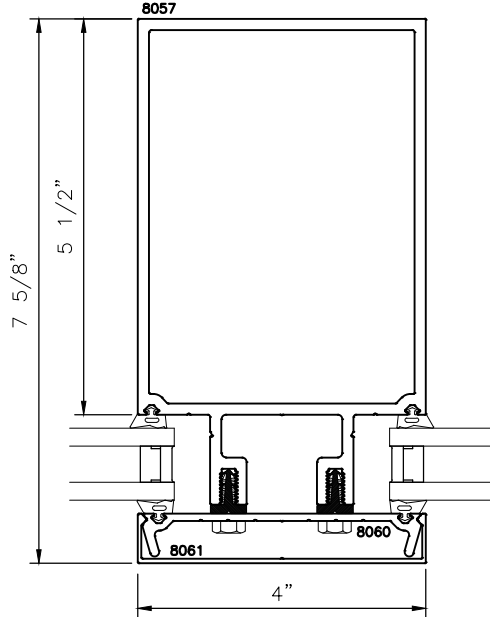


2-1/2" X 7-5/8" (5 1/2" B. M.)  
**250 C.W. EXTERIOR GLAZED CURTAIN WALL**  
**STANDARD/OPTIONAL DETAILS**

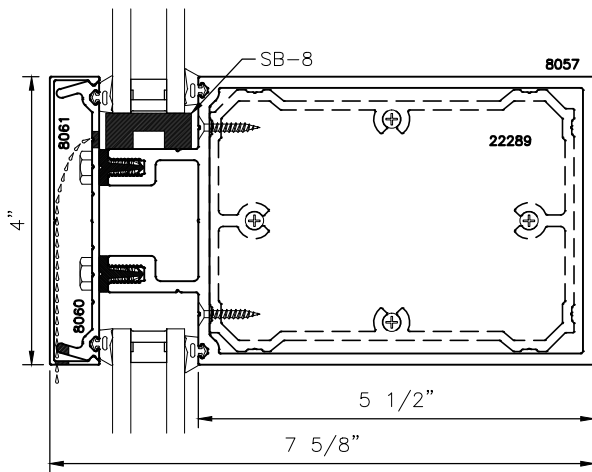
\* MINIMUM RECOMMENDED FOR THERMAL ISOLATION.  
 INCREASE AS REQUIRED TO COMPLY WITH SEALANT  
 MANUFACTURERS' INSTRUCTIONS



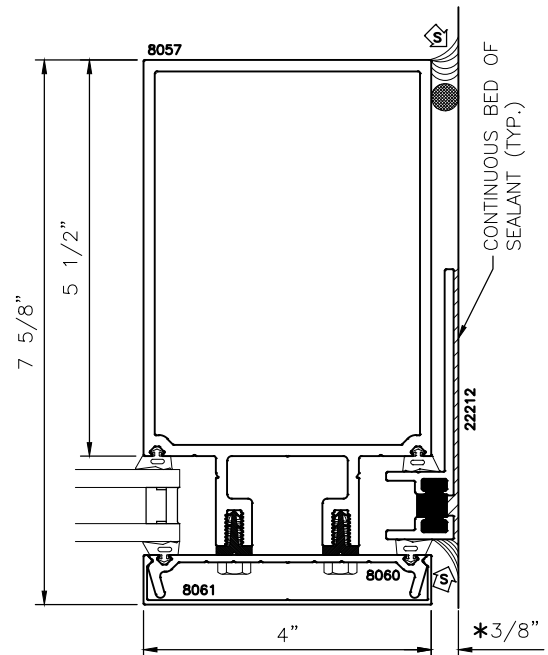
9



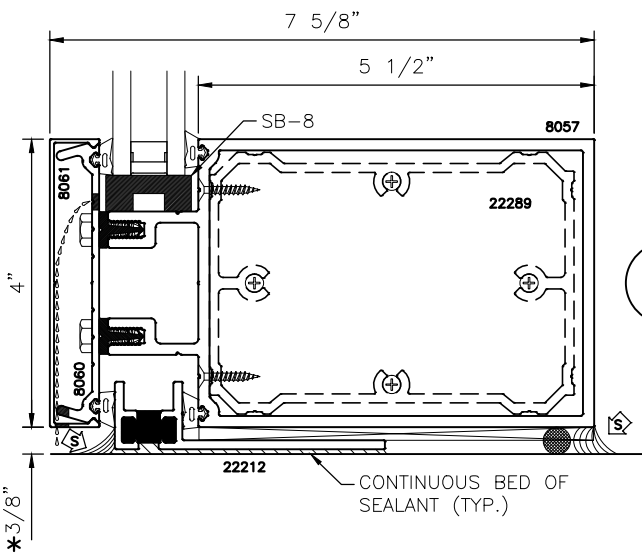
12



10



13



11