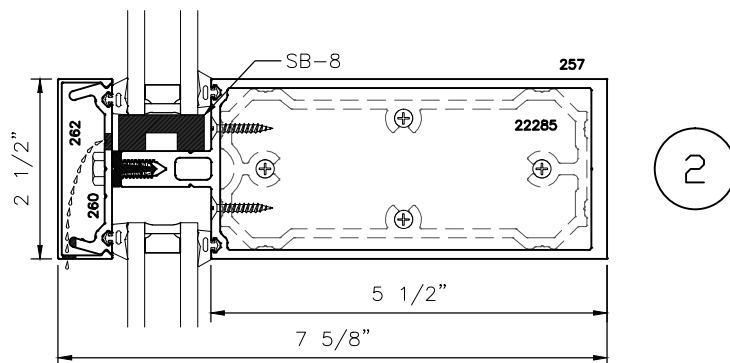
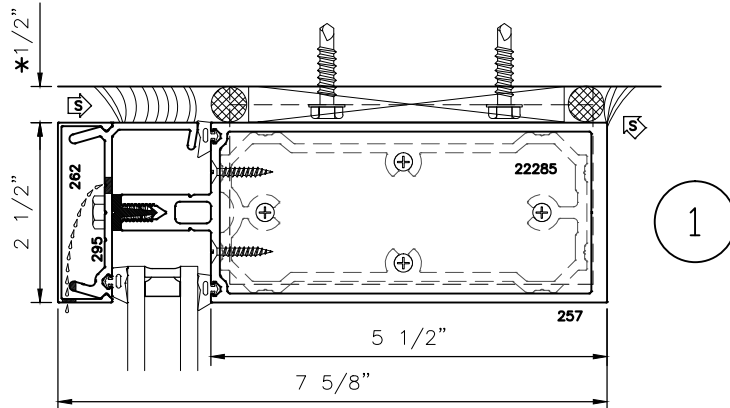
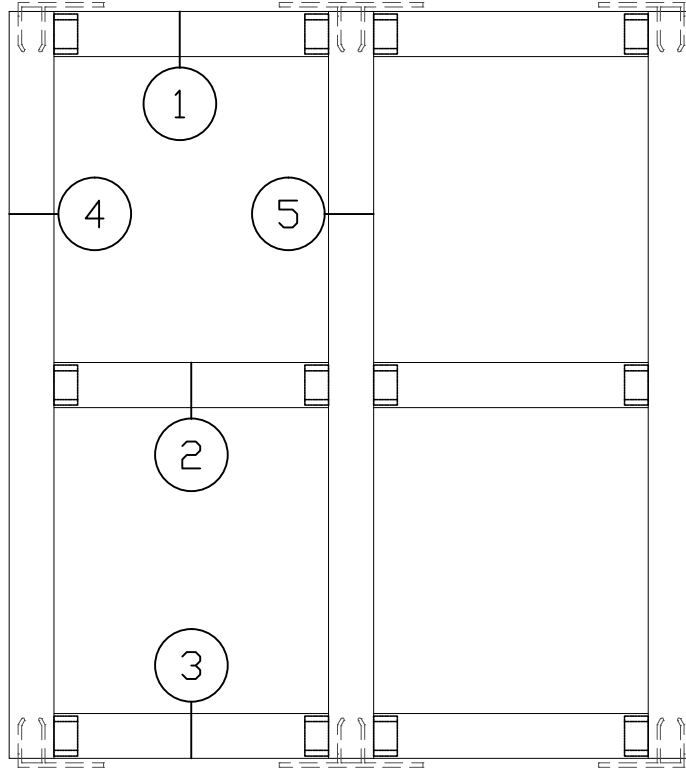




2-1/2" X 7-5/8" (5-1/2" B. M.) 250 C.W. EXTERIOR GLAZED CURTAIN WALL F & T ANCHOR DETAILS

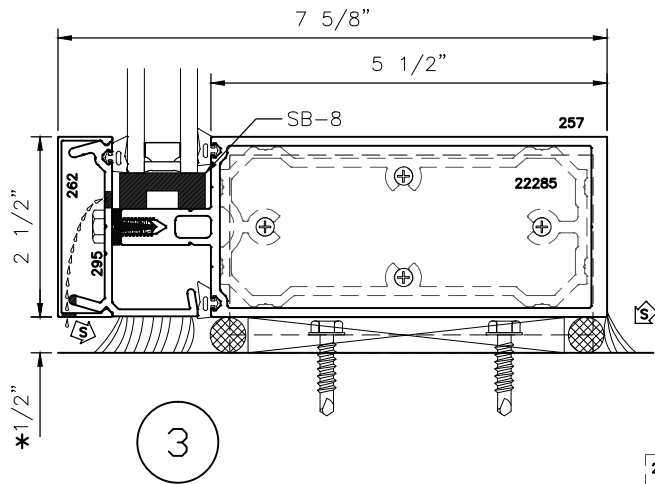
* MINIMUM RECOMMENDED FOR THERMAL ISOLATION.
INCREASE AS REQUIRED TO COMPLY WITH SEALANT
MANUFACTURERS' INSTRUCTIONS



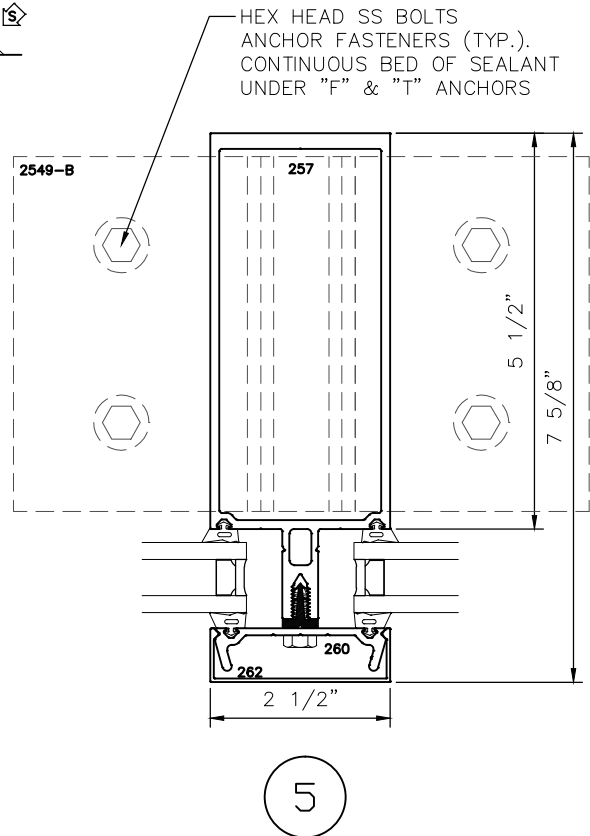
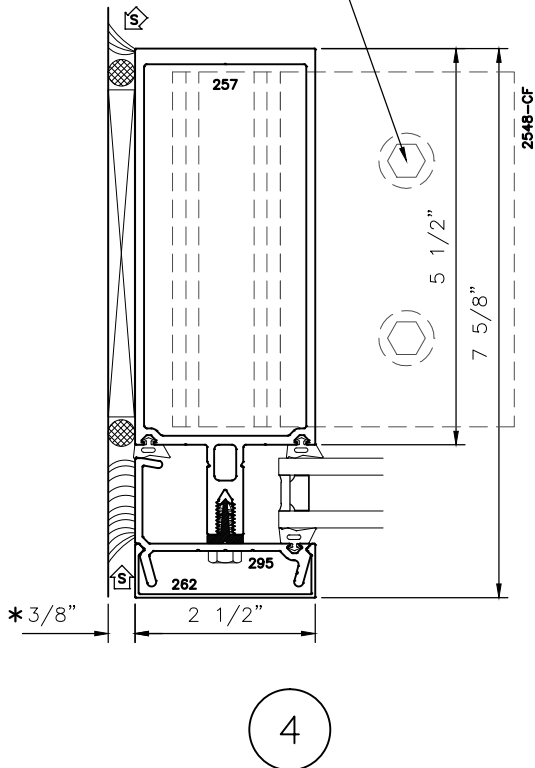


2-1/2" X 7-5/8" (5-1/2" B. M.) 250 C.W. EXTERIOR GLAZED CURTAIN WALL F & T ANCHOR DETAILS

* MINIMUM RECOMMENDED FOR THERMAL ISOLATION.
INCREASE AS REQUIRED TO COMPLY WITH SEALANT
MANUFACTURERS' INSTRUCTIONS

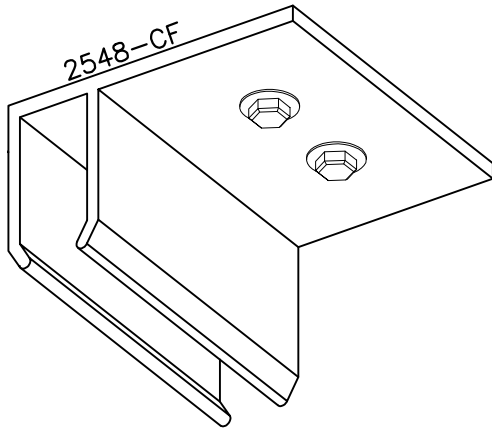


HEX HEAD SS BOLTS
ANCHOR FASTENERS (TYP.).
CONTINUOUS BED OF SEALANT
UNDER "F" & "T" ANCHORS

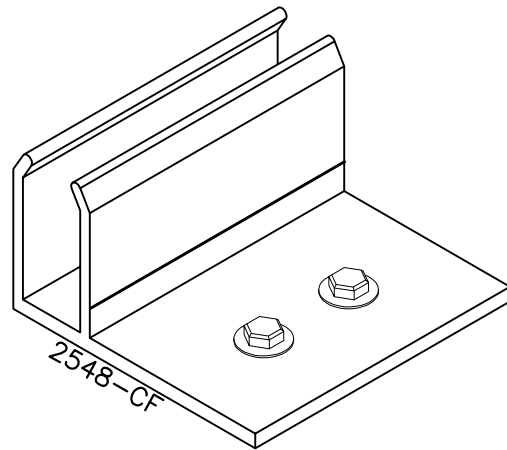




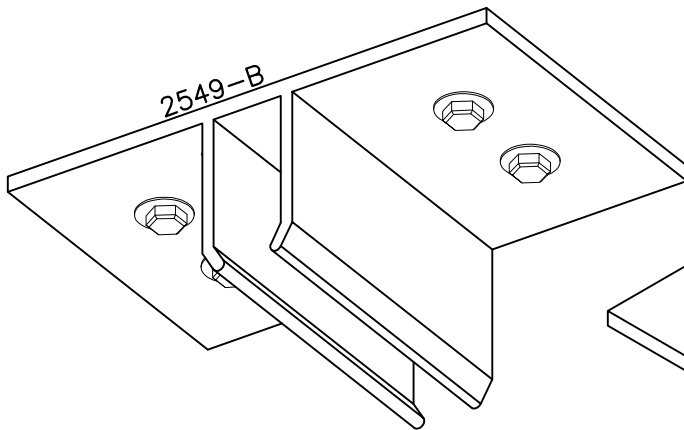
2-1/2" X 7-5/8" (5-1/2" B. M.)
250 C.W. EXTERIOR GLAZED CURTAIN WALL
F & T ANCHOR DETAILS



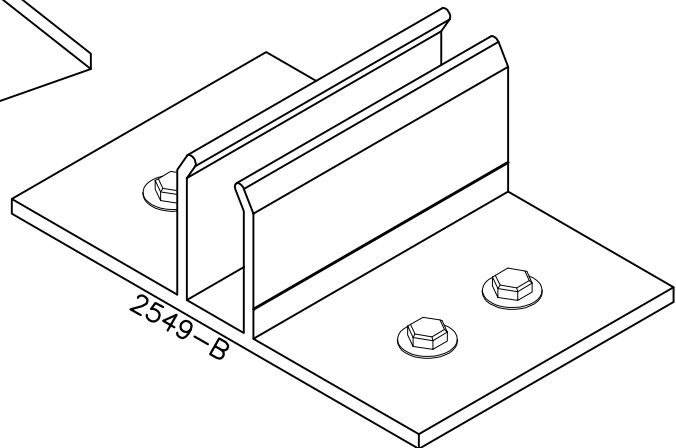
TOP F-ANCHOR



BOTTOM F-ANCHOR



TOP T-ANCHOR



BOTTOM T-ANCHOR