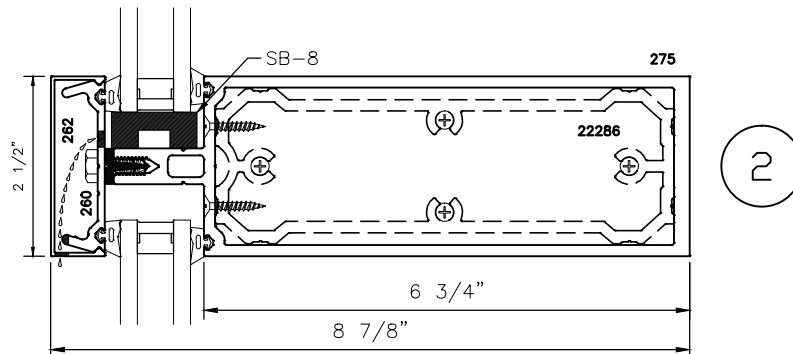
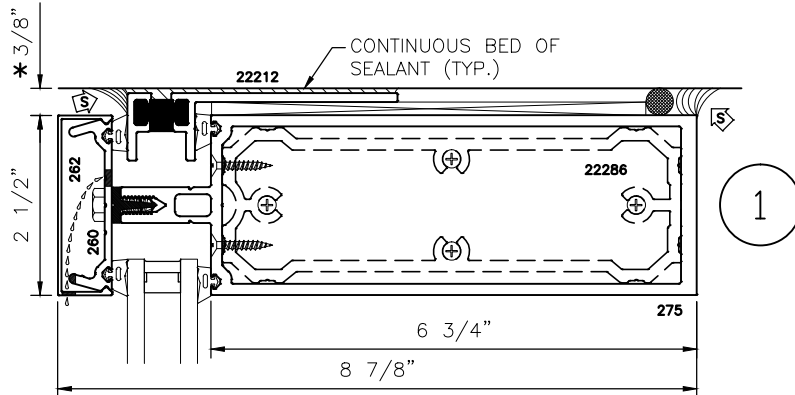
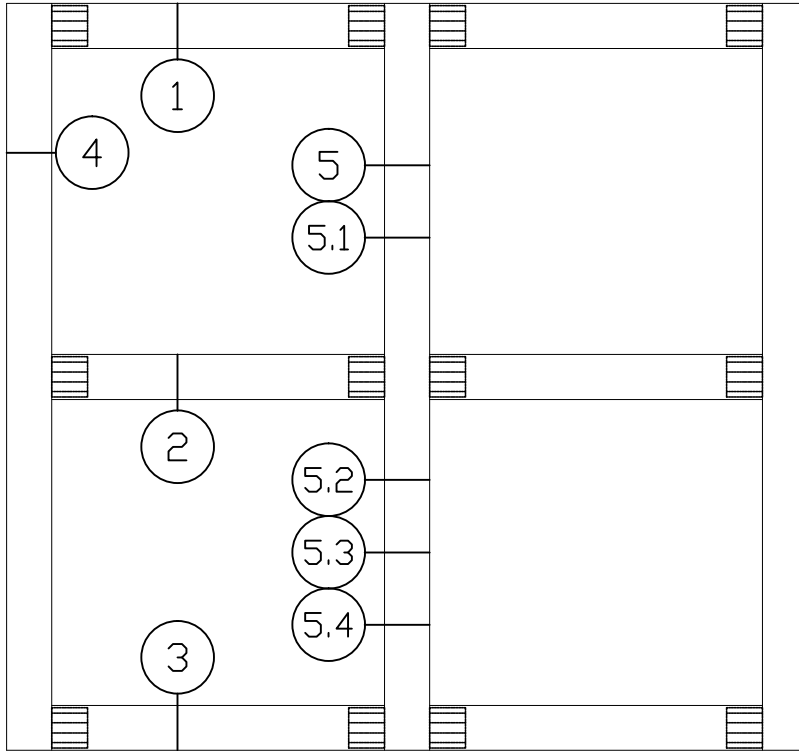




**MANKO**

# 2-1/2" X 8-7/8" (6-3/4" B. M.) 250 C.W. EXTERIOR GLAZED CURTAIN WALL STANDARD/OPTIONAL DETAILS

\* MINIMUM RECOMMENDED FOR THERMAL ISOLATION.  
INCREASE AS REQUIRED TO COMPLY WITH SEALANT  
MANUFACTURERS' INSTRUCTIONS

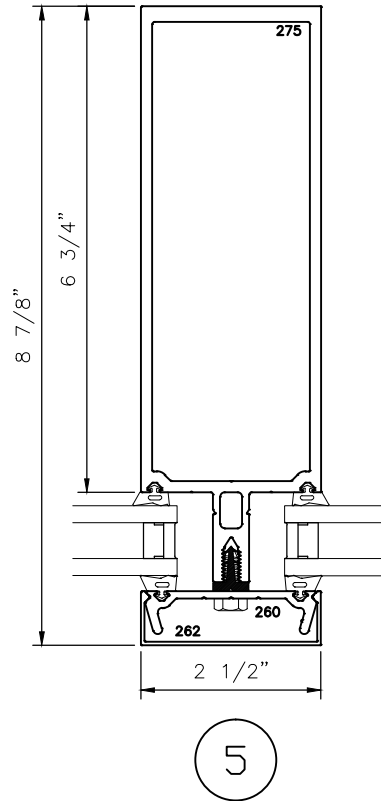
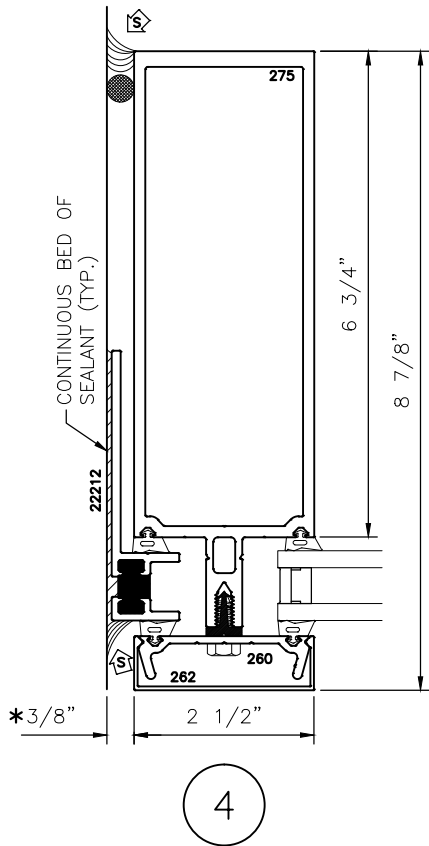
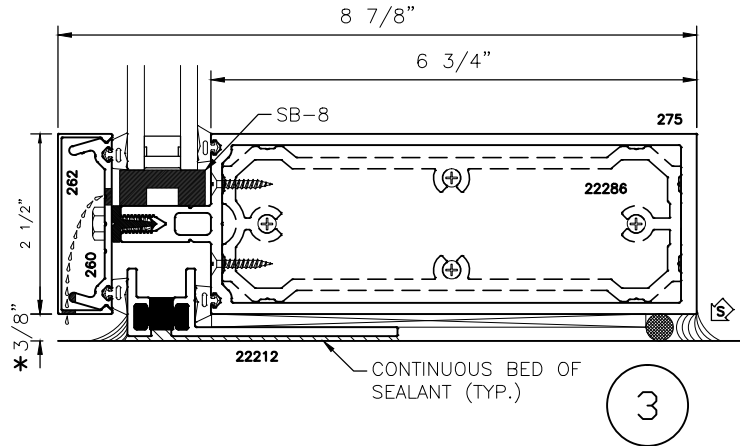




**MANKO**

# 2-1/2" X 8-7/8" (6-3/4" B. M.) 250 C.W. EXTERIOR GLAZED CURTAIN WALL STANDARD/OPTIONAL DETAILS

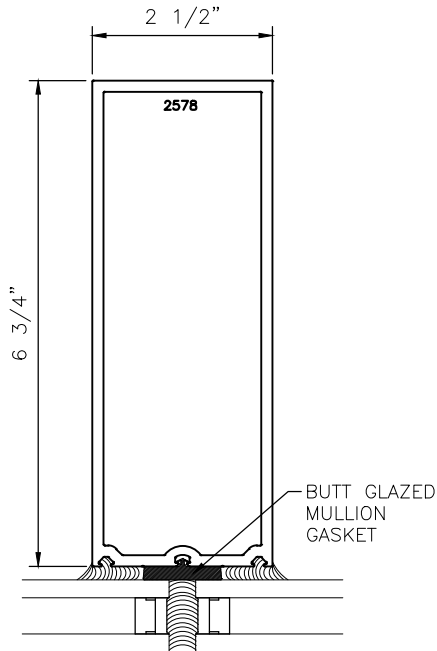
\* MINIMUM RECOMMENDED FOR THERMAL ISOLATION.  
INCREASE AS REQUIRED TO COMPLY WITH SEALANT  
MANUFACTURERS' INSTRUCTIONS



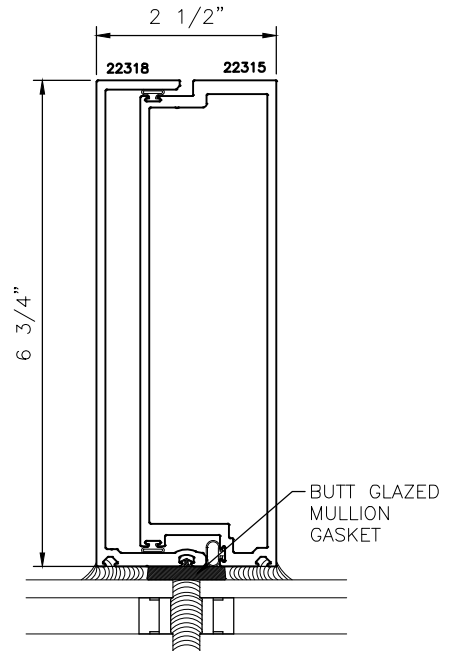


**MANKO**

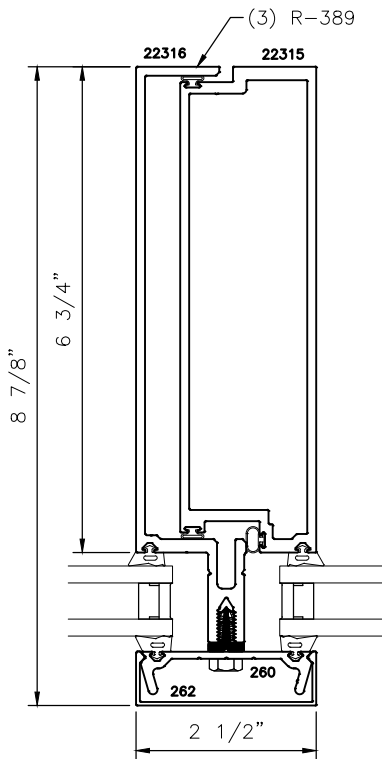
# 2-1/2" X 8-7/8" (6-3/4" B. M.) 250 C.W. EXTERIOR GLAZED CURTAIN WALL STANDARD/OPTIONAL DETAILS



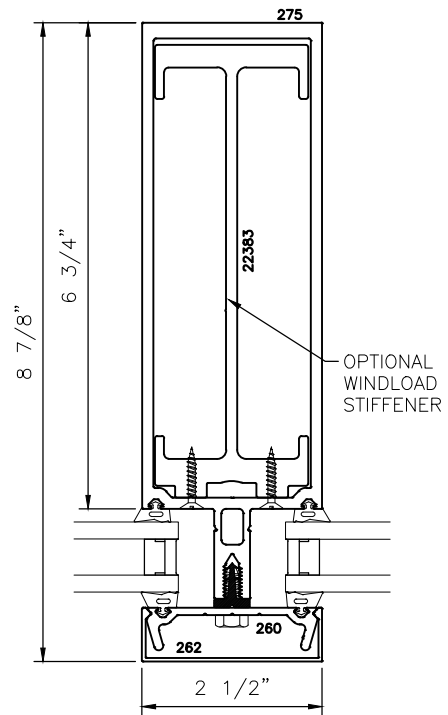
OPT.  
5.1



OPT.  
5.3



OPT.  
5.2



OPT.  
5.4