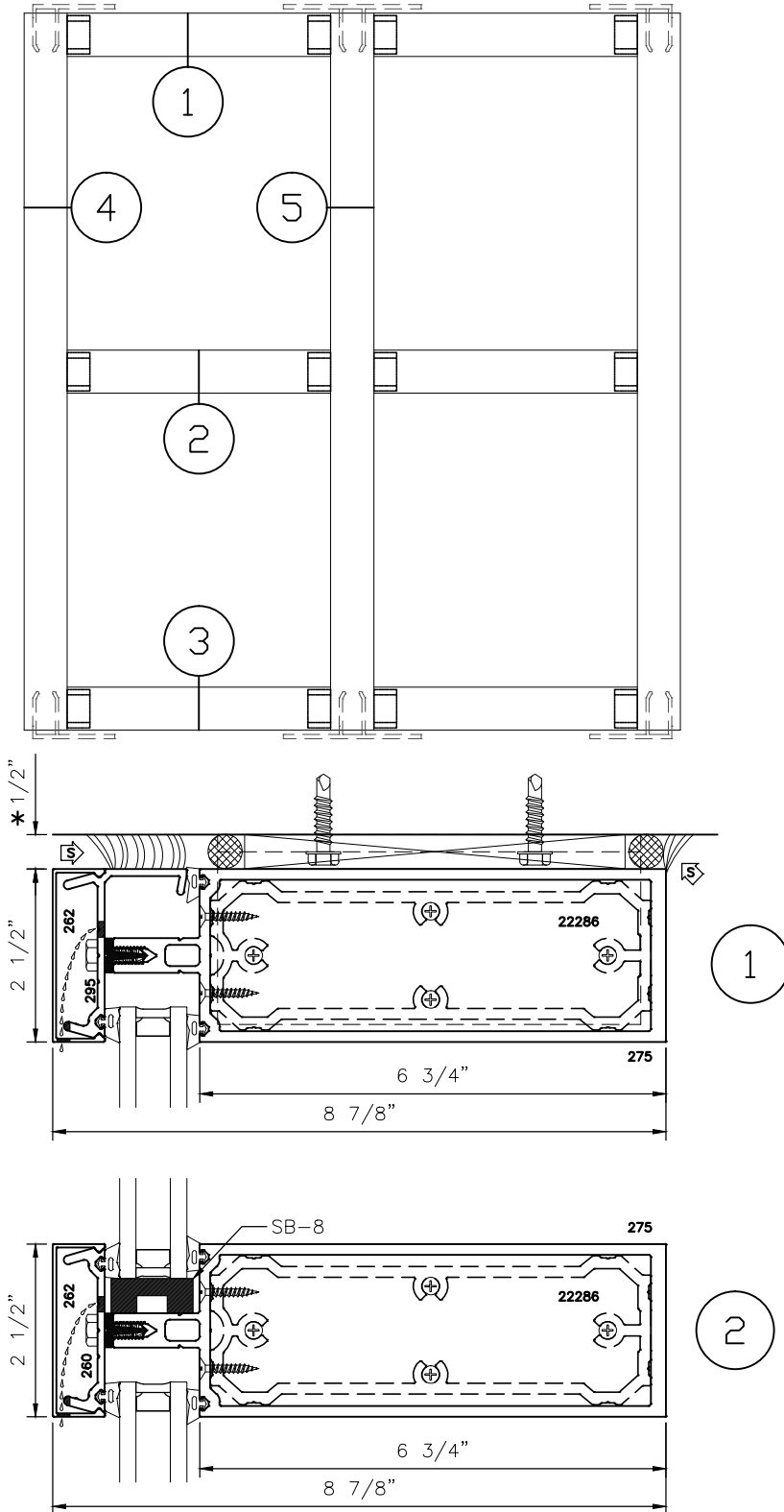




# 2-1/2" X 8-7/8" (6-3/4" B. M.) 250 C.W. EXTERIOR GLAZED CURTAIN WALL F & T ANCHOR DETAILS

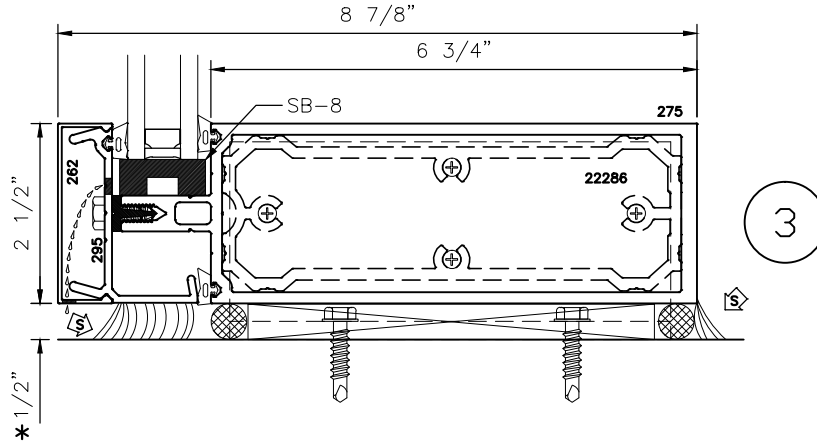
\* MINIMUM RECOMMENDED FOR THERMAL ISOLATION.  
INCREASE AS REQUIRED TO COMPLY WITH SEALANT  
MANUFACTURERS' INSTRUCTIONS





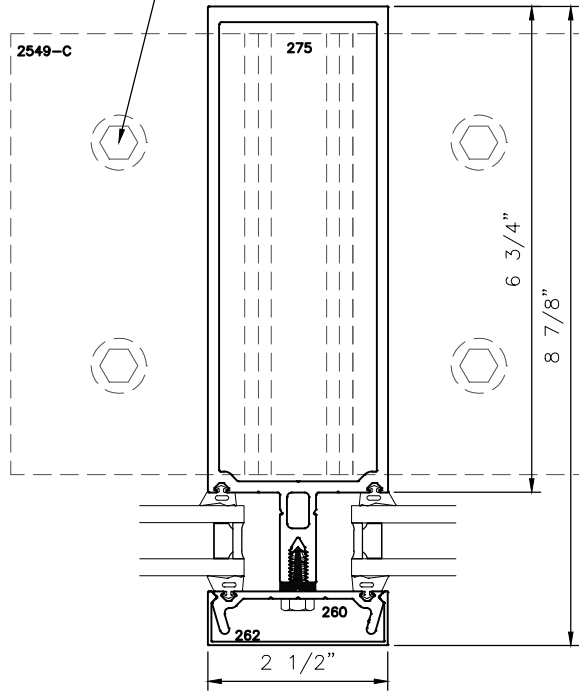
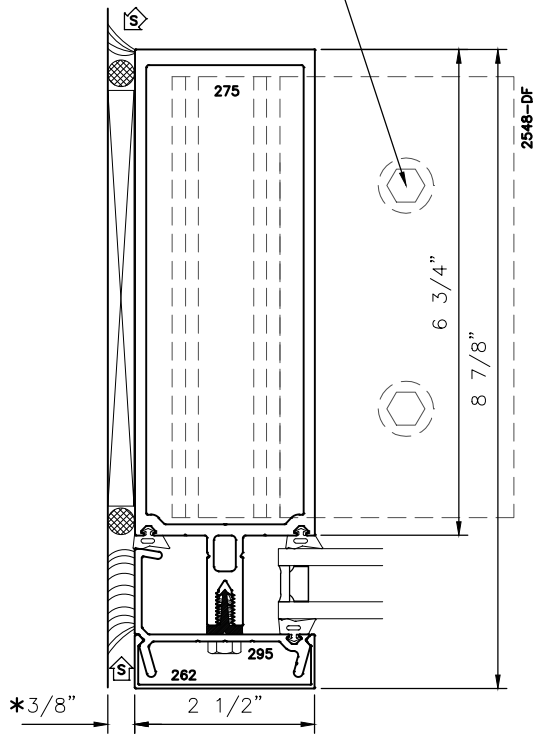
# 2-1/2" X 8-7/8" (6-3/4" B. M.) 250 C.W. EXTERIOR GLAZED CURTAIN WALL F & T ANCHOR DETAILS

\* MINIMUM RECOMMENDED FOR THERMAL ISOLATION.  
INCREASE AS REQUIRED TO COMPLY WITH SEALANT  
MANUFACTURERS' INSTRUCTIONS



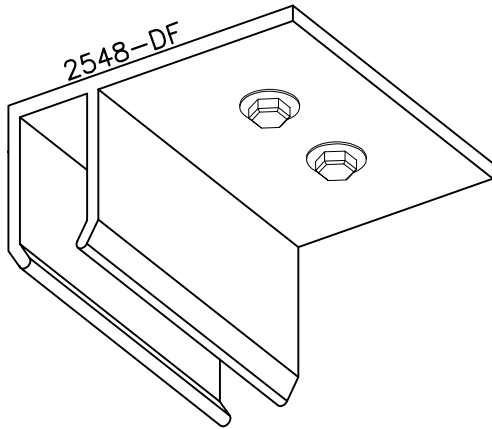
HEX HEAD SS BOLTS  
ANCHOR FASTENERS (TYP.),  
CONTINUOUS BED OF SEALANT  
UNDER "F" & "T" ANCHORS

HEX HEAD SS BOLTS  
ANCHOR FASTENERS (TYP.),  
CONTINUOUS BED OF SEALANT  
UNDER "F" & "T" ANCHORS

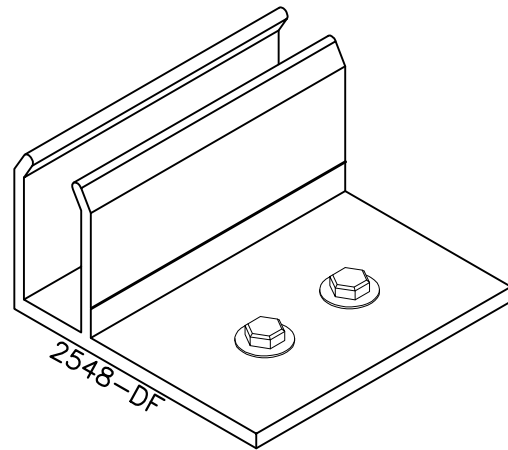




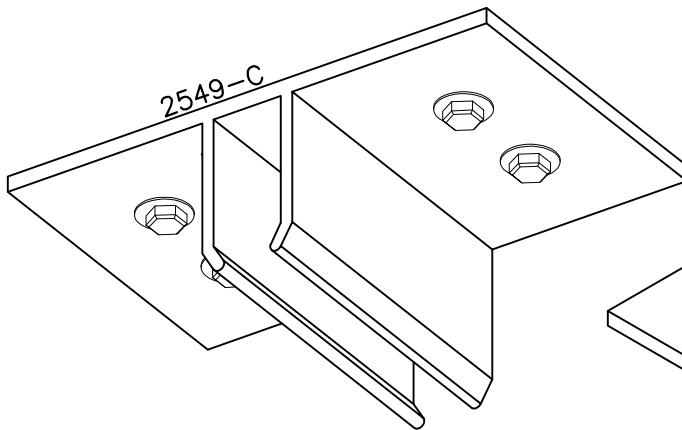
2-1/2" X 8-7/8" (6-3/4" B. M.)  
**250 C.W. EXTERIOR GLAZED CURTAIN WALL**  
**F & T ANCHOR DETAILS**



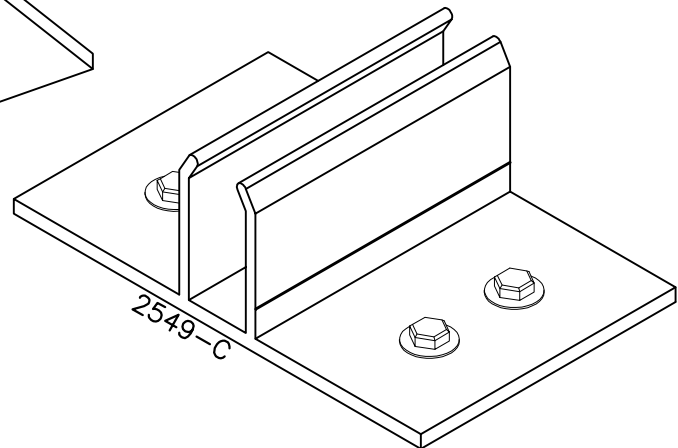
TOP F-ANCHOR



BOTTOM F-ANCHOR



TOP T-ANCHOR



BOTTOM T-ANCHOR