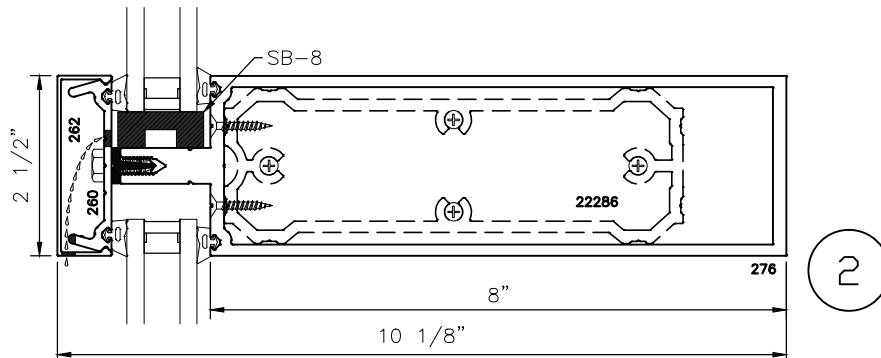
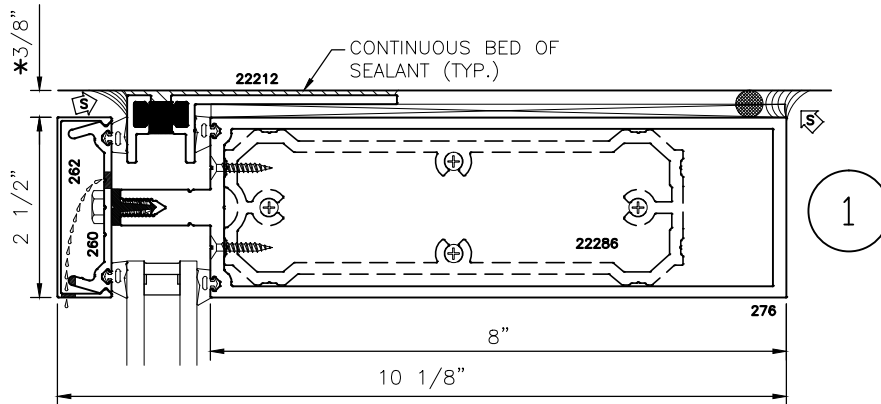
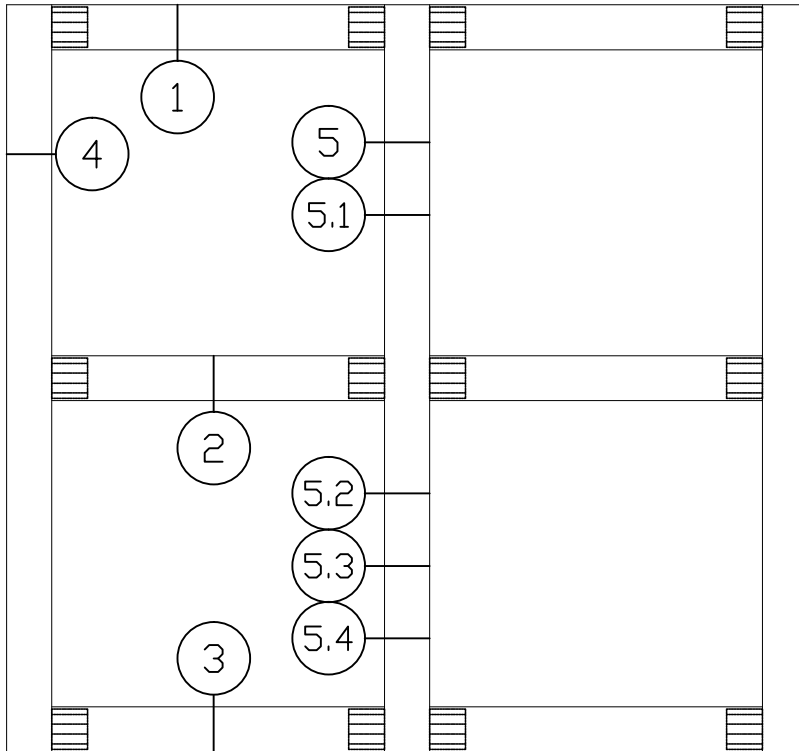




# 2-1/2" X 10-1/8" (8" B. M.) 250 C.W. EXTERIOR GLAZED CURTAIN WALL STANDARD/OPTIONAL DETAILS

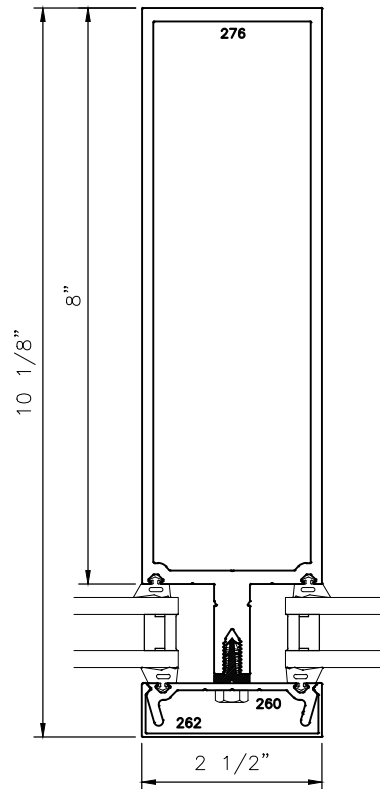
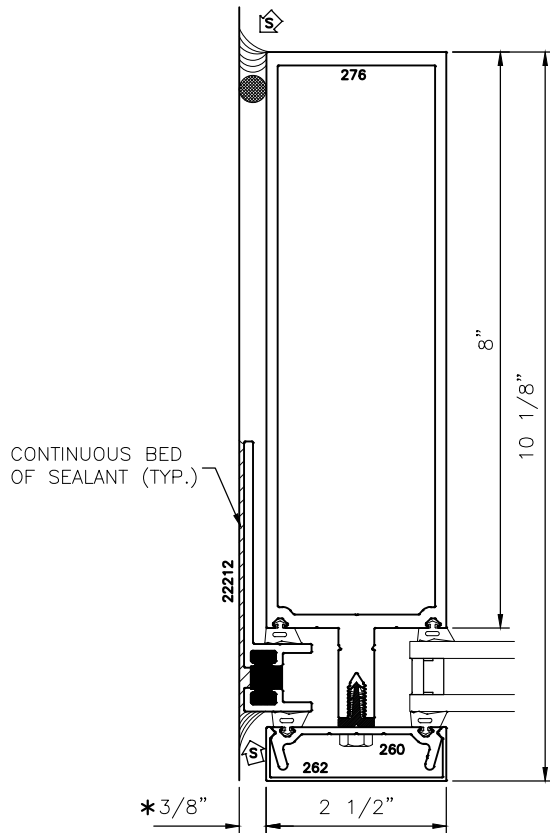
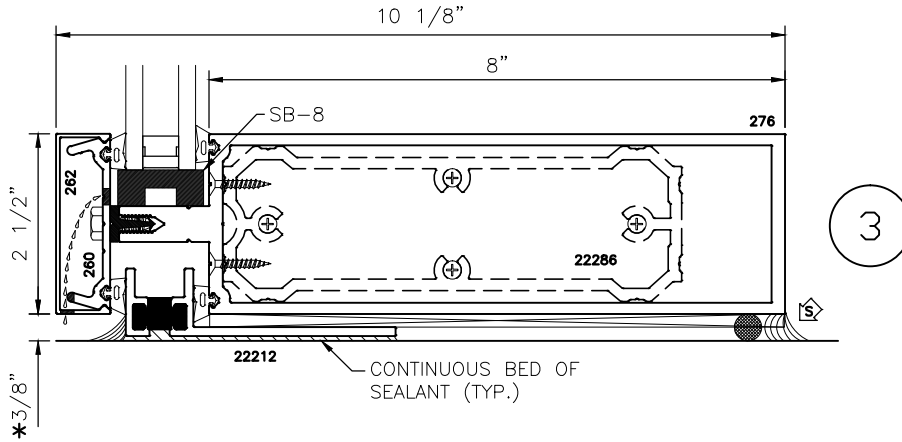
\* MINIMUM RECOMMENDED FOR THERMAL ISOLATION.  
INCREASE AS REQUIRED TO COMPLY WITH SEALANT  
MANUFACTURERS' INSTRUCTIONS





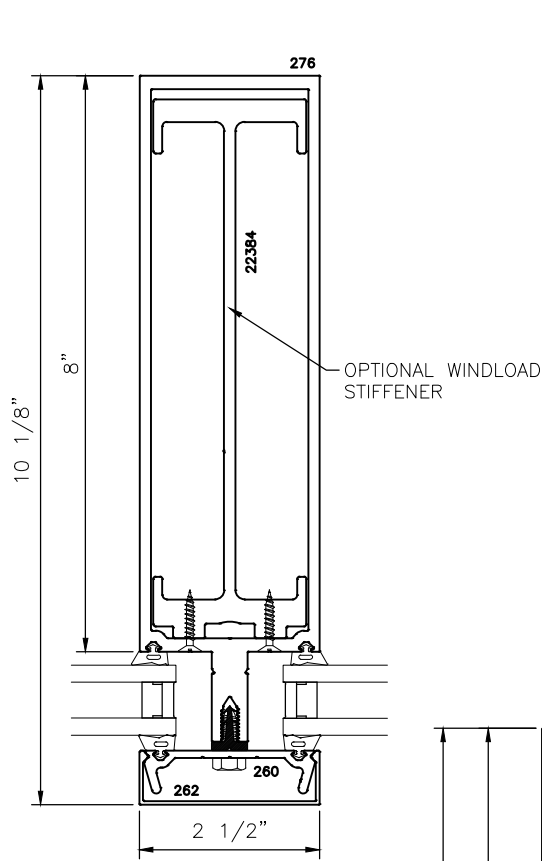
# 2-1/2" X 10-1/8" (8" B. M.) 250 C.W. EXTERIOR GLAZED CURTAIN WALL STANDARD/OPTIONAL DETAILS

\* MINIMUM RECOMMENDED FOR THERMAL ISOLATION.  
INCREASE AS REQUIRED TO COMPLY WITH SEALANT  
MANUFACTURERS' INSTRUCTIONS

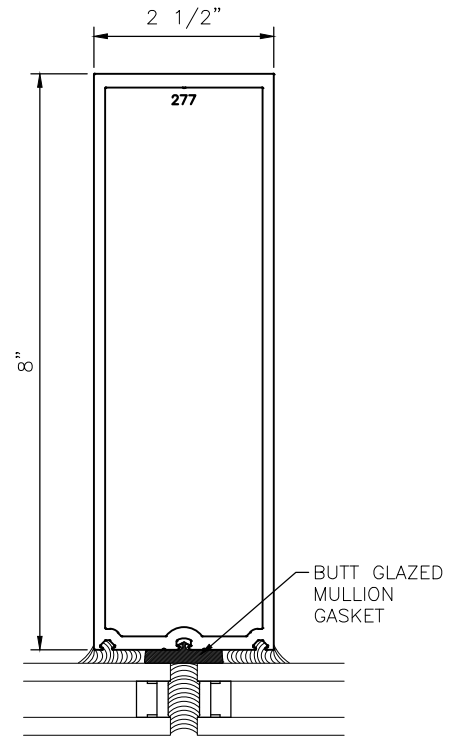




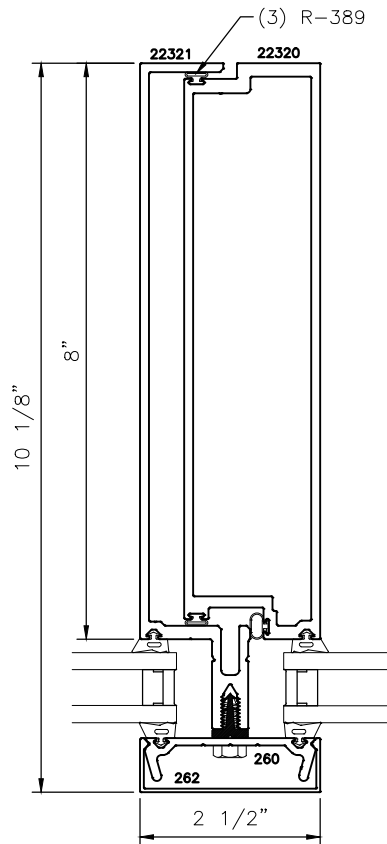
2-1/2" X 10-1/8" (8" B. M.)  
**250 C.W. EXTERIOR GLAZED CURTAIN WALL**  
STANDARD/OPTIONAL DETAILS



OPT.  
5.1



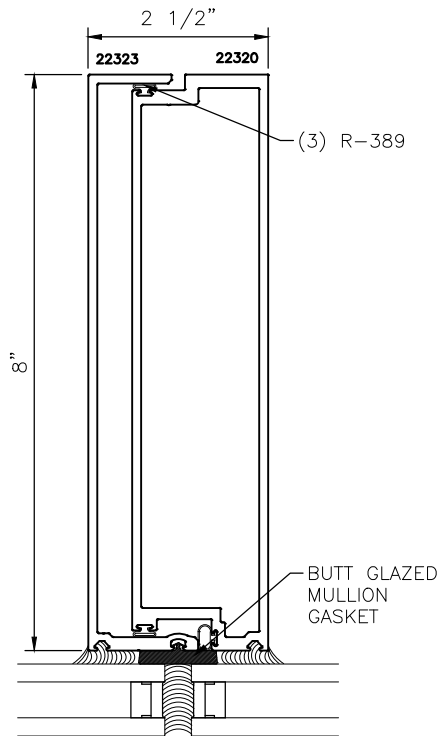
OPT.  
5.2



OPT.  
5.3



2-1/2" X 10-1/8" (8" B. M.)  
**250 C.W. EXTERIOR GLAZED CURTAIN WALL**  
**STANDARD/OPTIONAL DETAILS**



OPT.  
5.4