

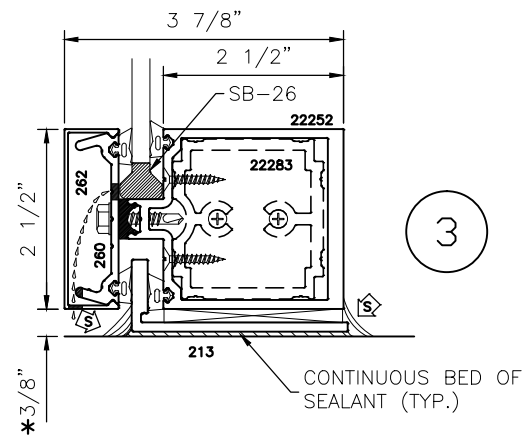
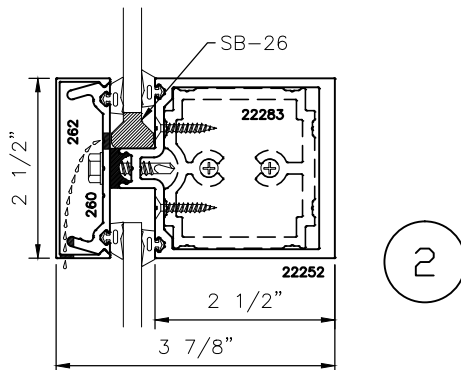
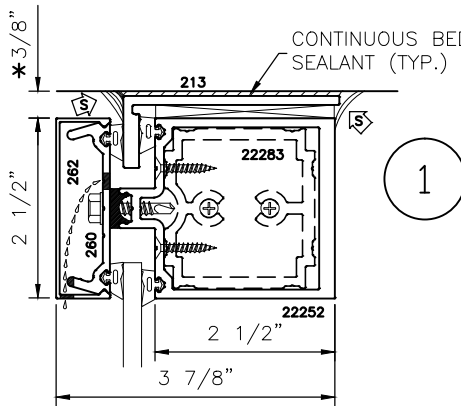
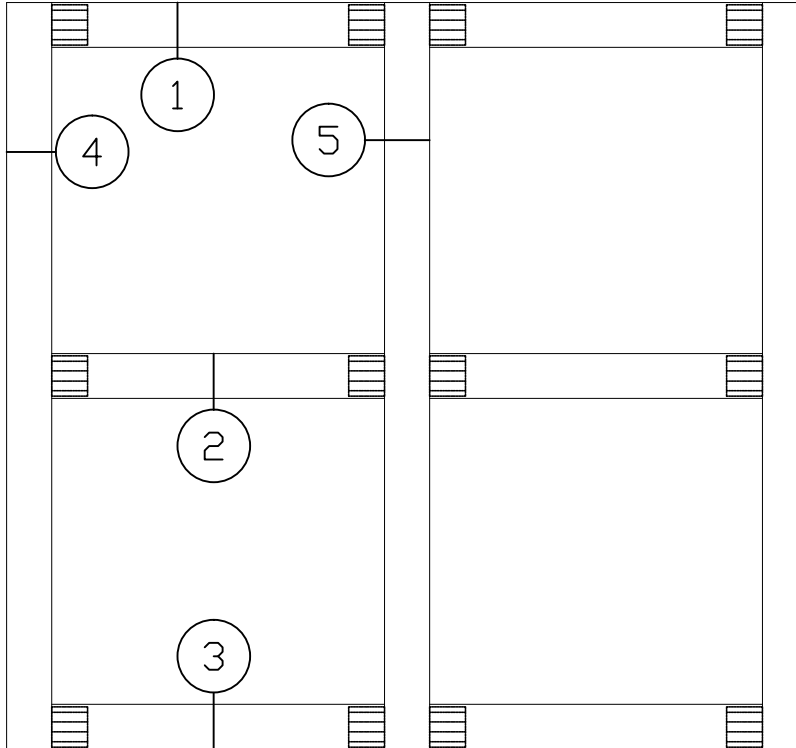


MANKO

250xpt-1

2-1/2" X 3-7/8" (2-1/2" B.M) HIGH PERFORMANCE THERMAL CURTAIN WALL STANDARD/OPTIONAL DETAILS

* MINIMUM RECOMMENDED FOR THERMAL ISOLATION.
INCREASE AS REQUIRED TO COMPLY WITH SEALANT
MANUFACTURERS' INSTRUCTIONS



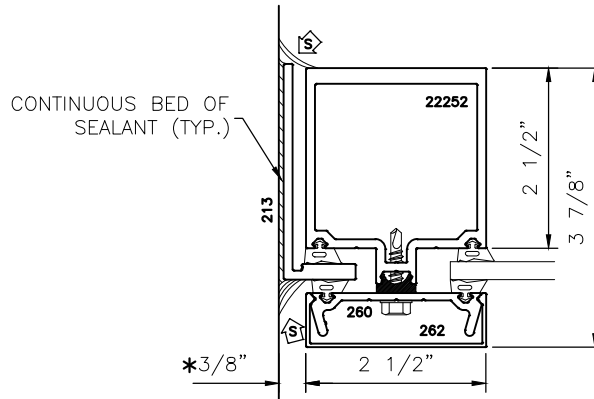


MANKO

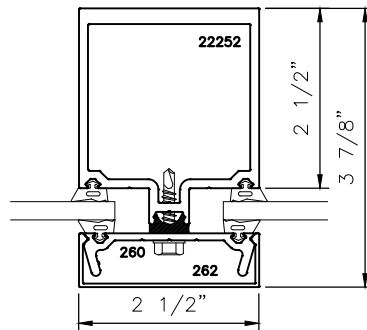
250xpt-1

**2-1/2" X 3-7/8" (2-1/2" B.M)
HIGH PERFORMANCE
THERMAL CURTAIN WALL
STANDARD/OPTIONAL DETAILS**

* MINIMUM RECOMMENDED FOR THERMAL ISOLATION.
INCREASE AS REQUIRED TO COMPLY WITH SEALANT
MANUFACTURERS' INSTRUCTIONS



4



5