

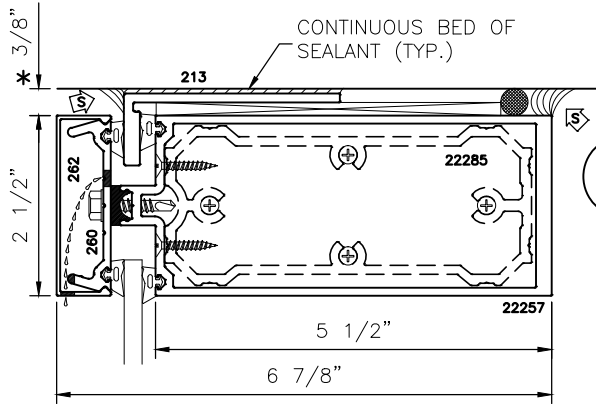
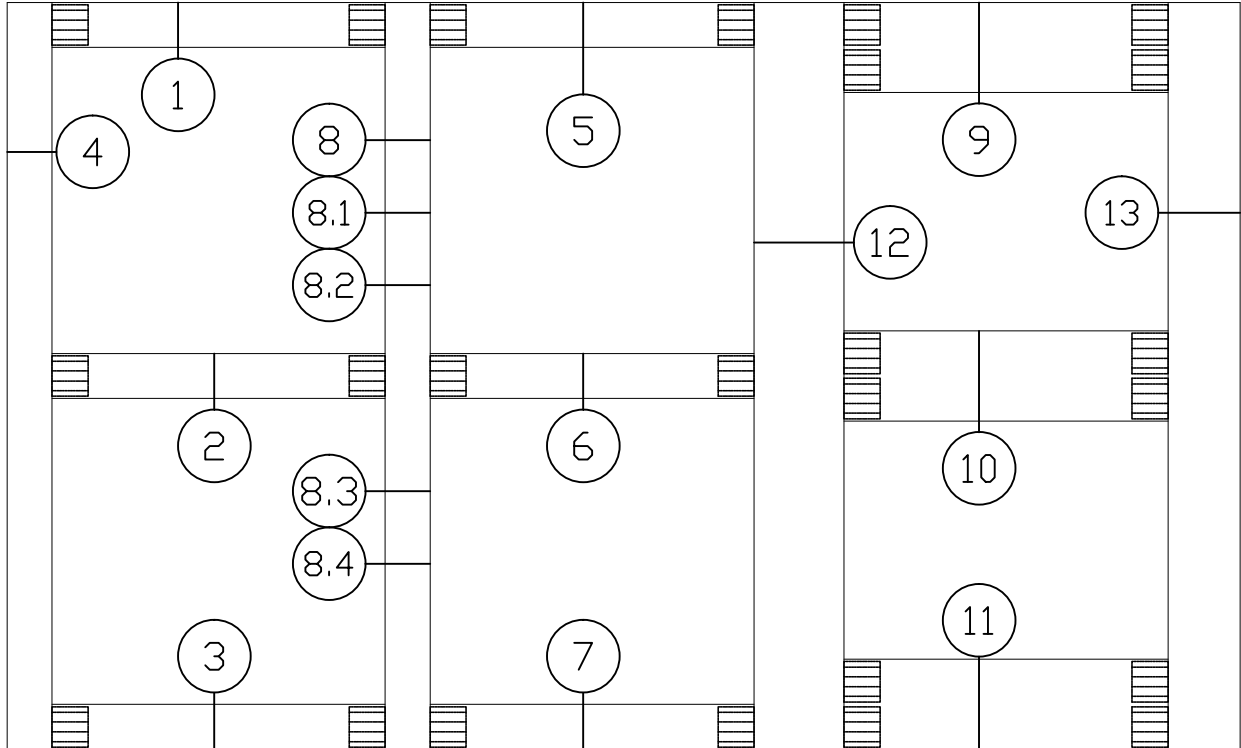


MANKO

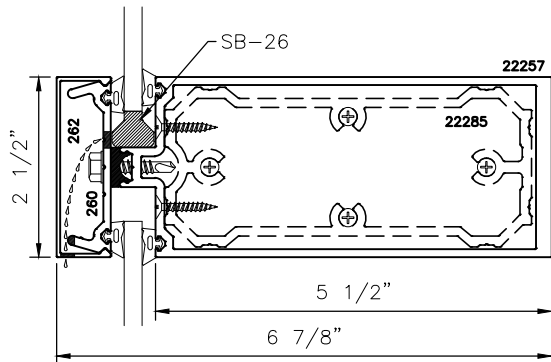
250xpt-1

2-1/2" X 6-7/8" (5-1/2" B.M.) HIGH PERFORMANCE THERMAL CURTAIN WALL STANDARD/OPTIONAL DETAILS

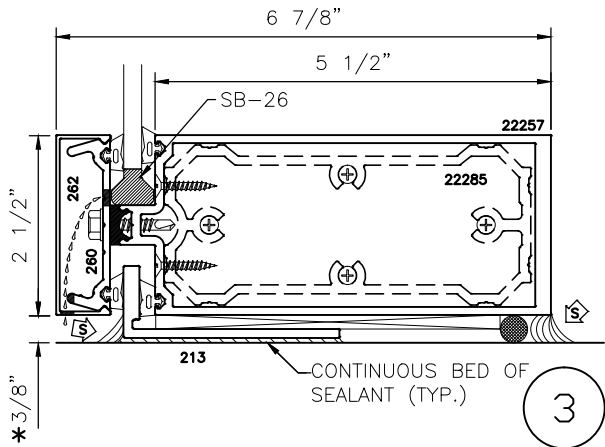
* MINIMUM RECOMMENDED FOR THERMAL ISOLATION.
INCREASE AS REQUIRED TO COMPLY WITH SEALANT
MANUFACTURERS' INSTRUCTIONS



1



2



3

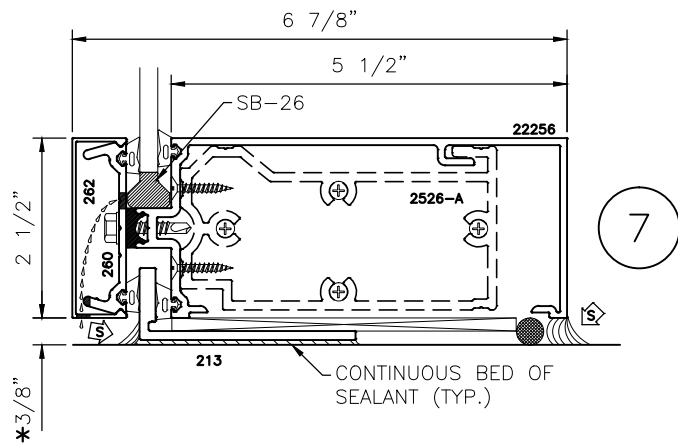
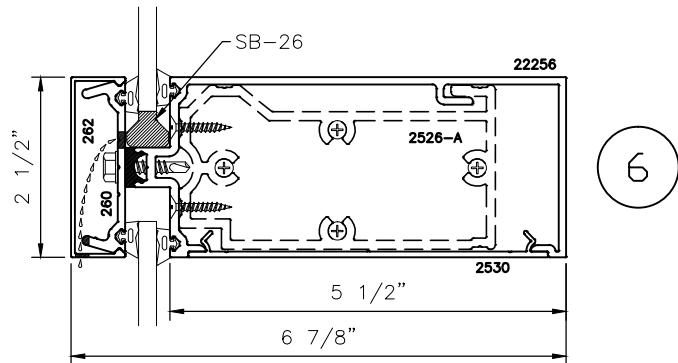
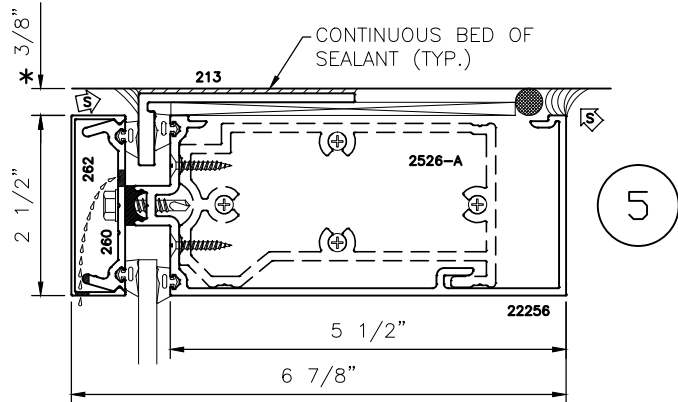
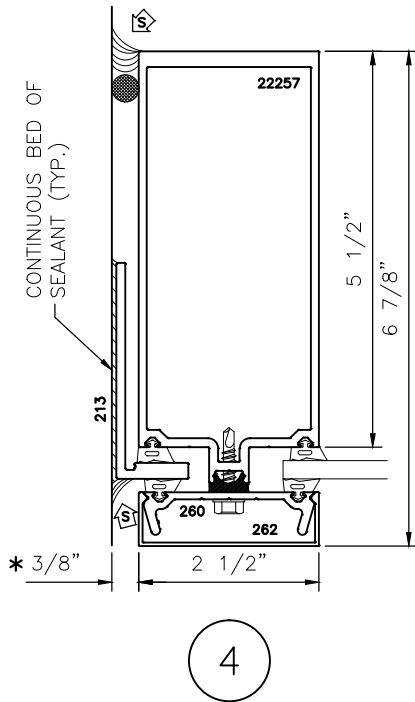


MANKO

250xpt-1

**2-1/2" X 6-7/8" (5-1/2" B.M.)
HIGH PERFORMANCE
THERMAL CURTAIN WALL
STANDARD / OPTIONAL DETAILS**

* MINIMUM RECOMMENDED FOR THERMAL ISOLATION.
INCREASE AS REQUIRED TO COMPLY WITH SEALANT
MANUFACTURERS' INSTRUCTIONS

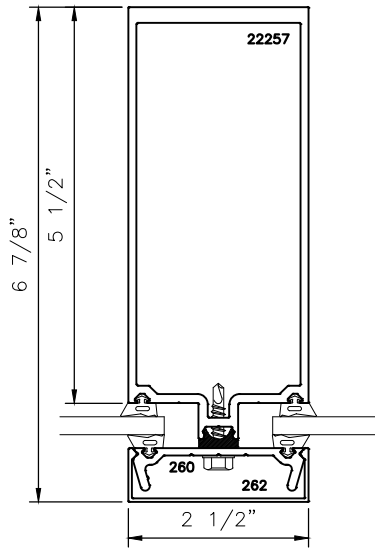




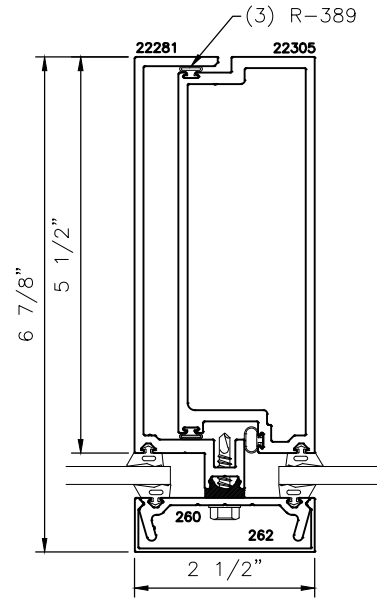
MANKO

250xpt-1

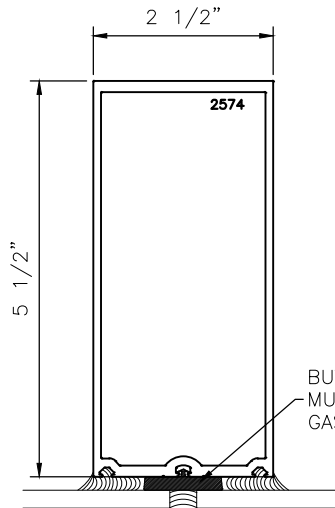
2-1/2" X 6-7/8" (5-1/2" B.M.) HIGH PERFORMANCE THERMAL CURTAIN WALL STANDARD / OPTIONAL DETAILS



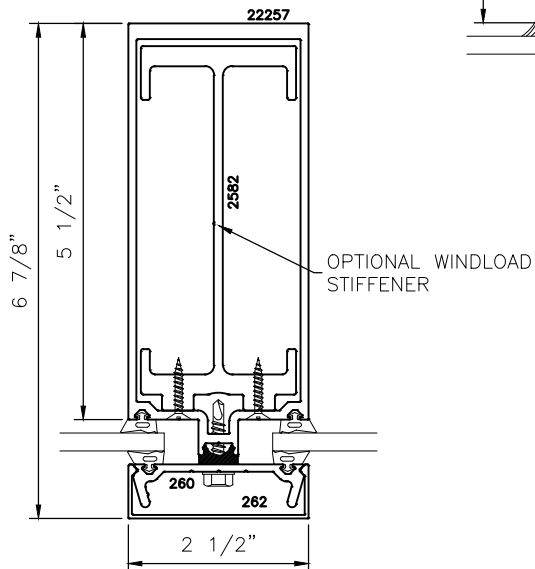
8



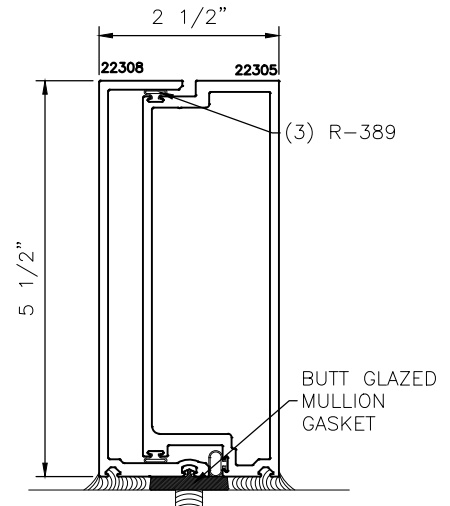
OPT.
8.3



OPT.
8.2



OPT.
8.1



OPT.
8.4

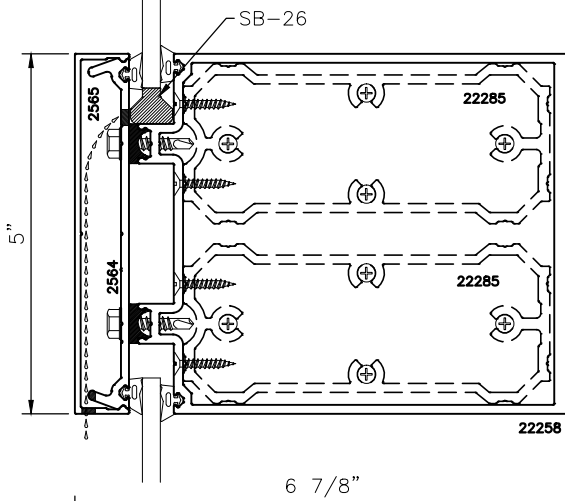
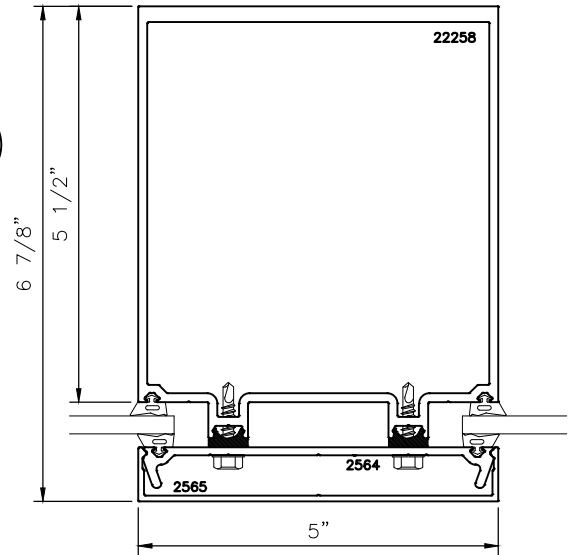
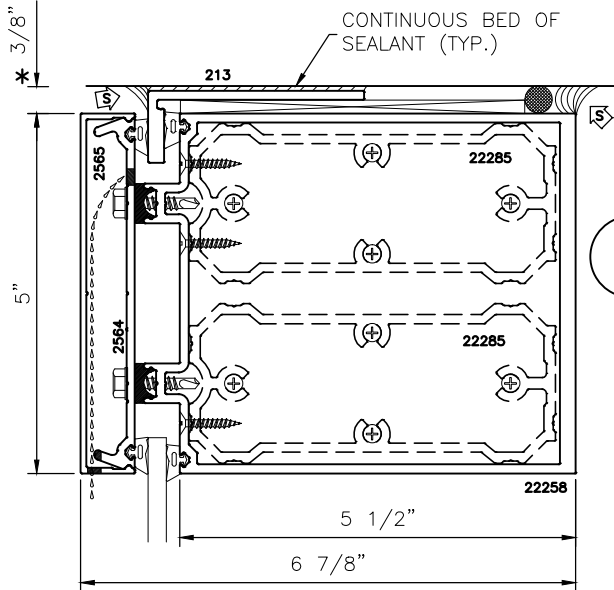


MANKO

250xpt-1

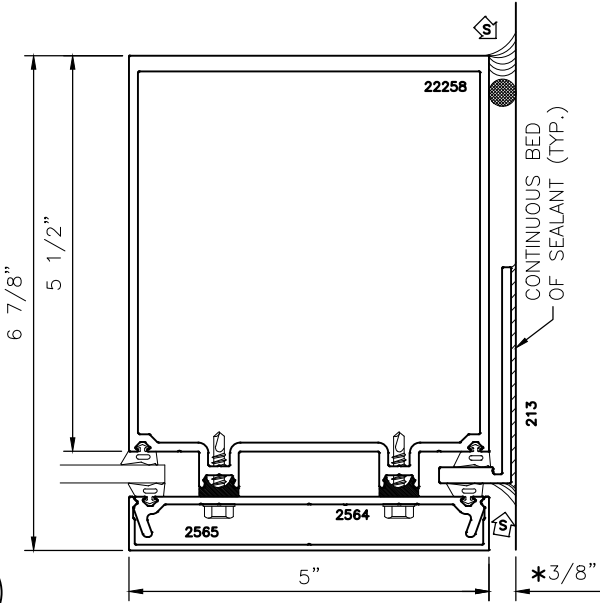
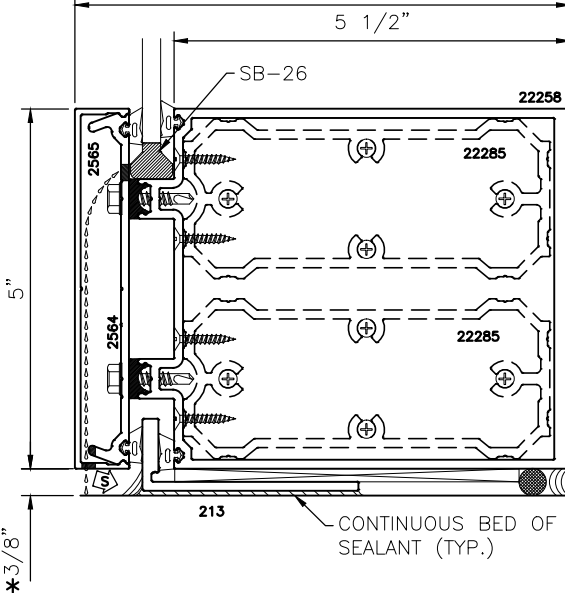
**2-1/2" X 6-7/8" (5-1/2" B.M.)
HIGH PERFORMANCE
THERMAL CURTAIN WALL
STANDARD/OPTIONAL DETAILS**

* MINIMUM RECOMMENDED FOR THERMAL ISOLATION.
INCREASE AS REQUIRED TO COMPLY WITH SEALANT
MANUFACTURERS' INSTRUCTIONS



12

10



13

11