

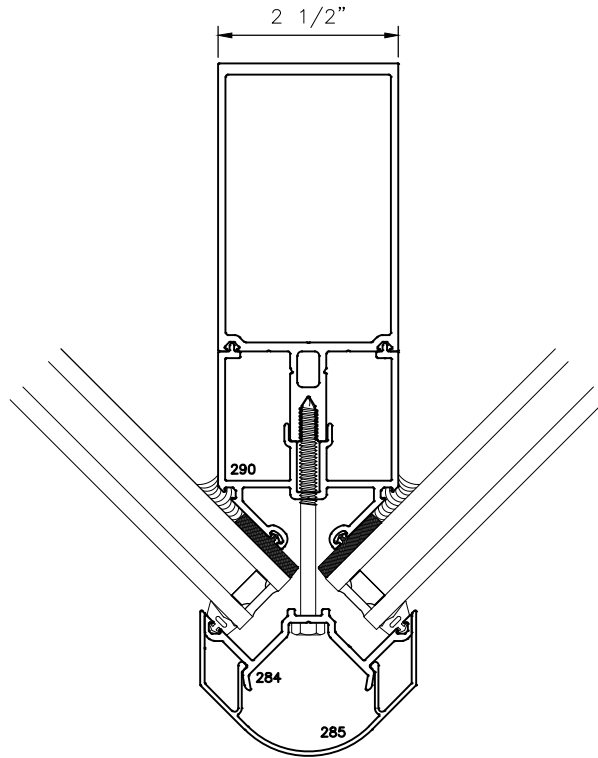


MANKO

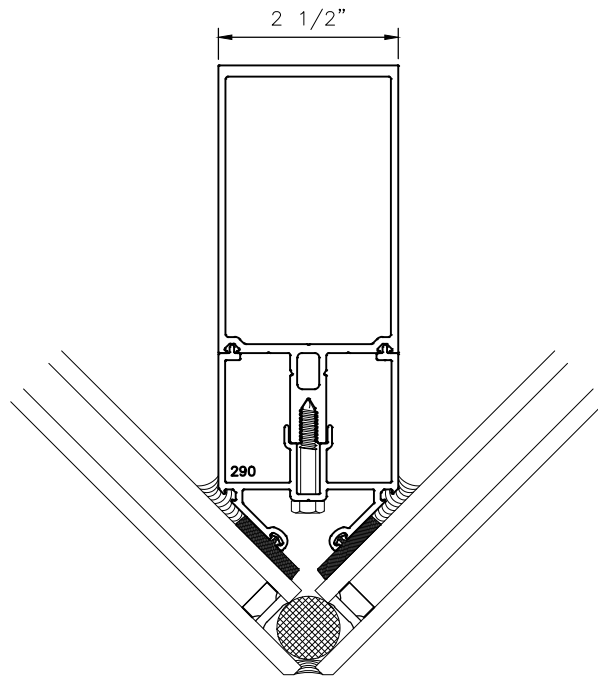
250xpt-2

2-1/2" X 6-1/8" (4" B.M.)
HIGH PERFORMANCE
THERMAL CURTAIN WALL
CORNER MULLION DETAILS

CAPTURED 90° CORNER MULLION



**STRUCTURAL SILICONE GLAZED(SSG)
90° CORNER MULLION**



PART # 2584 SHOWN. SIMILAR
THROUGHOUT SERIES.