

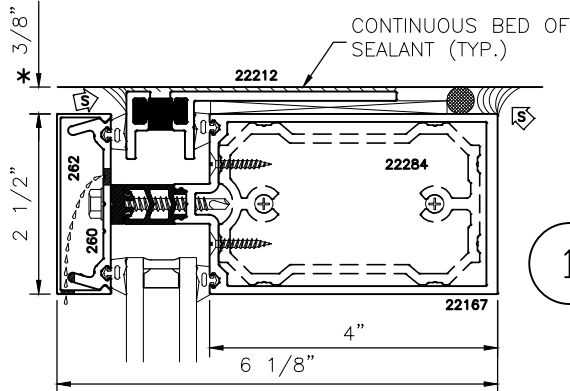
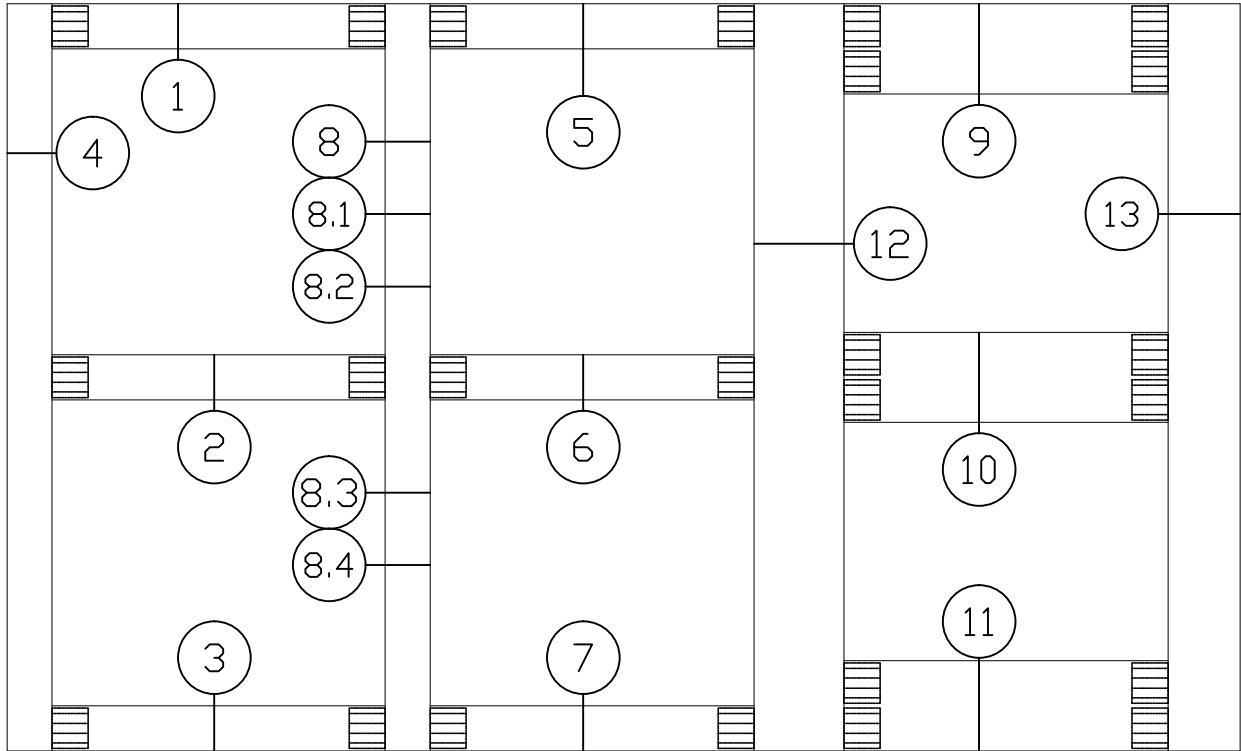


**MANKO**

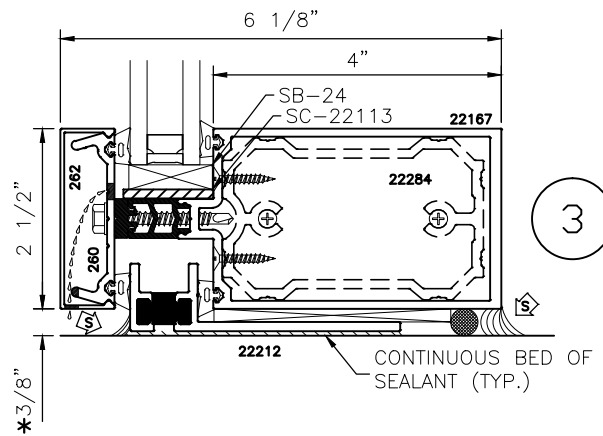
# 250xpt-2

## 2-1/2" X 6-1/8" (4" B.M.) HIGH PERFORMANCE THERMAL CURTAIN WALL STANDARD/OPTIONAL DETAILS

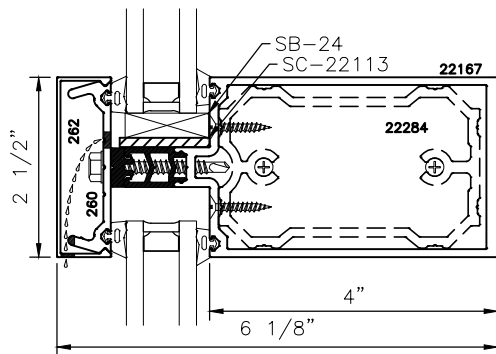
\* MINIMUM RECOMMENDED FOR THERMAL ISOLATION.  
INCREASE AS REQUIRED TO COMPLY WITH SEALANT  
MANUFACTURERS' INSTRUCTIONS



1



3



2

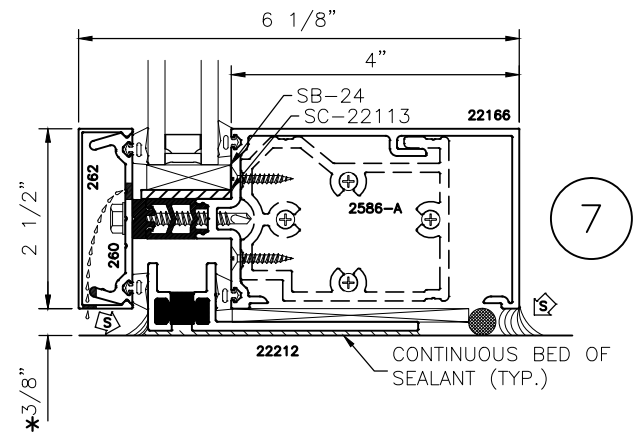
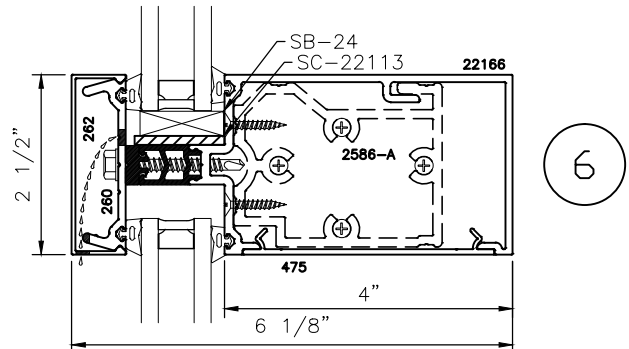
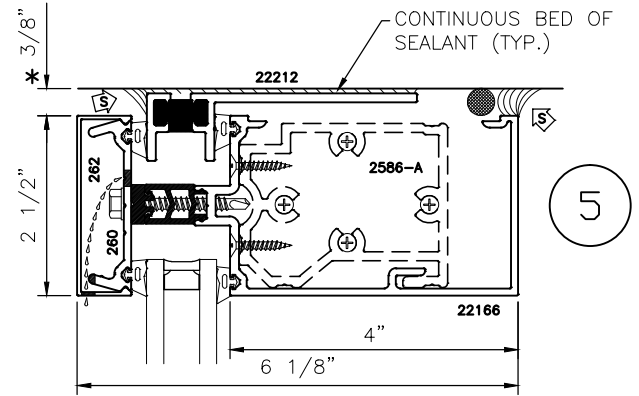
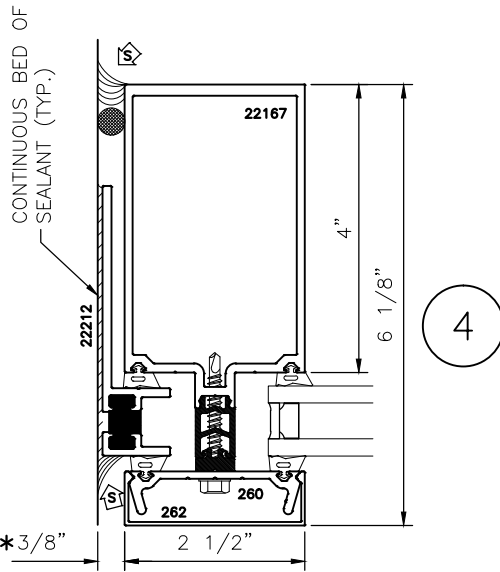


**MANKO**

**250xpt-2**

**2-1/2" X 6-1/8" (4" B.M.)  
HIGH PERFORMANCE  
THERMAL CURTAIN WALL  
STANDARD/OPTIONAL DETAILS**

\* MINIMUM RECOMMENDED FOR THERMAL ISOLATION.  
INCREASE AS REQUIRED TO COMPLY WITH SEALANT  
MANUFACTURERS' INSTRUCTIONS

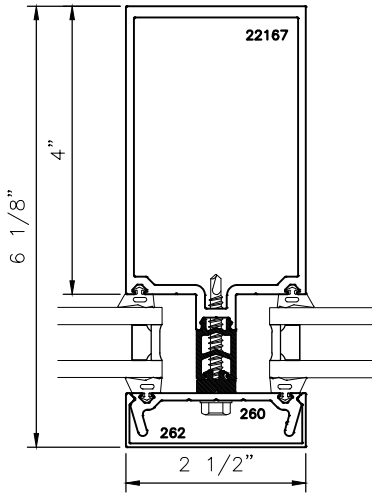




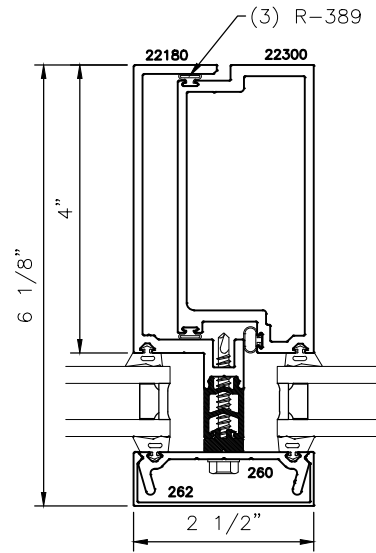
**MANKO**

# 250xpt-2

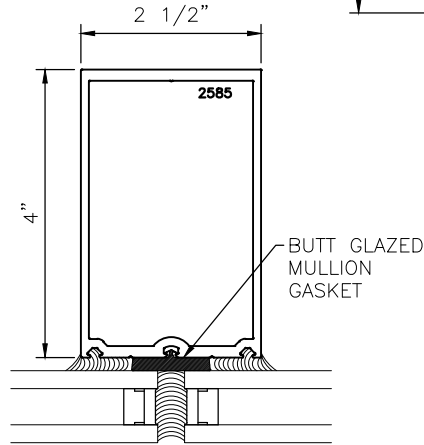
## 2-1/2" X 6-1/8" (4" B.M.) HIGH PERFORMANCE THERMAL CURTAIN WALL STANDARD/OPTIONAL DETAILS



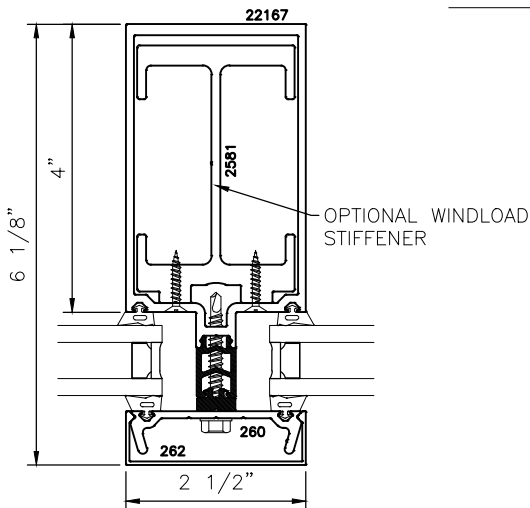
8



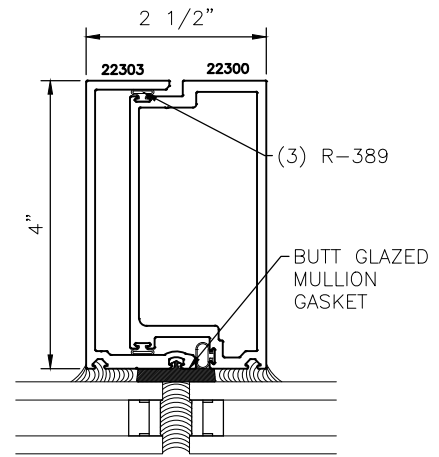
OPT.  
8.3



OPT.  
8.2



8.1



OPT.  
8.4

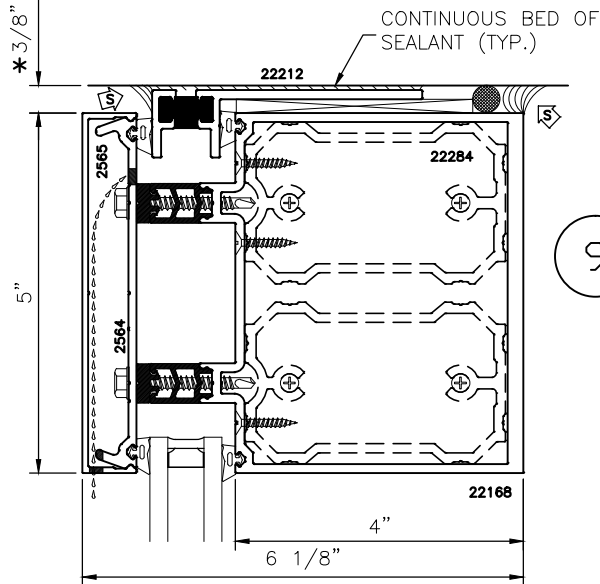


**MANKO**

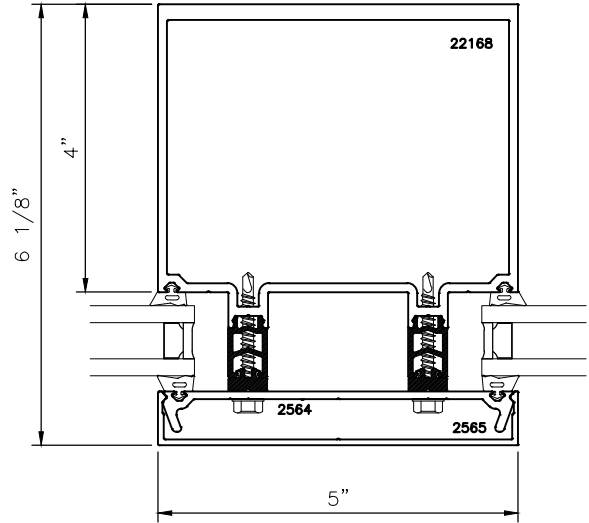
# 250xpt-2

## 2-1/2" X 6-1/8" (4" B.M.) HIGH PERFORMANCE THERMAL CURTAIN WALL STANDARD/OPTIONAL DETAILS

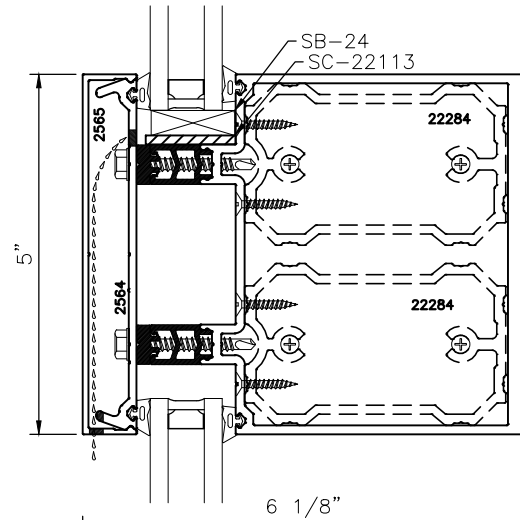
\* MINIMUM RECOMMENDED FOR THERMAL ISOLATION.  
INCREASE AS REQUIRED TO COMPLY WITH SEALANT  
MANUFACTURERS' INSTRUCTIONS



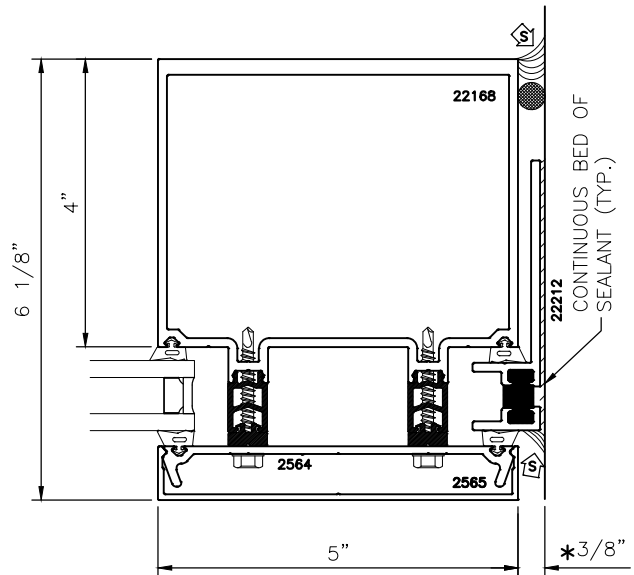
9



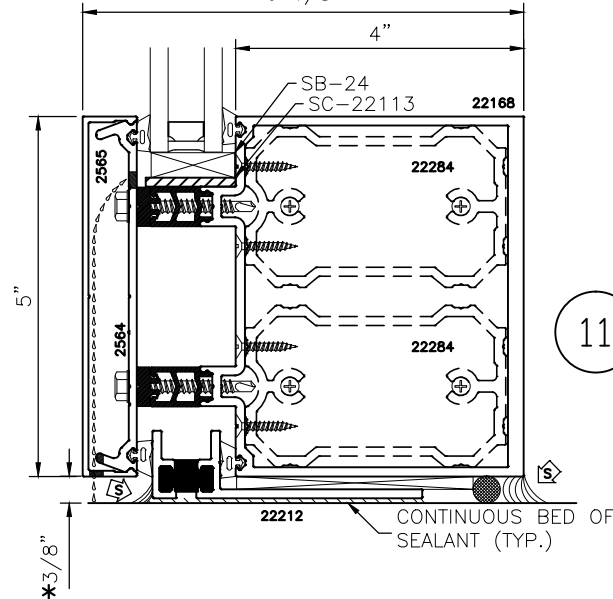
12



10



13



11