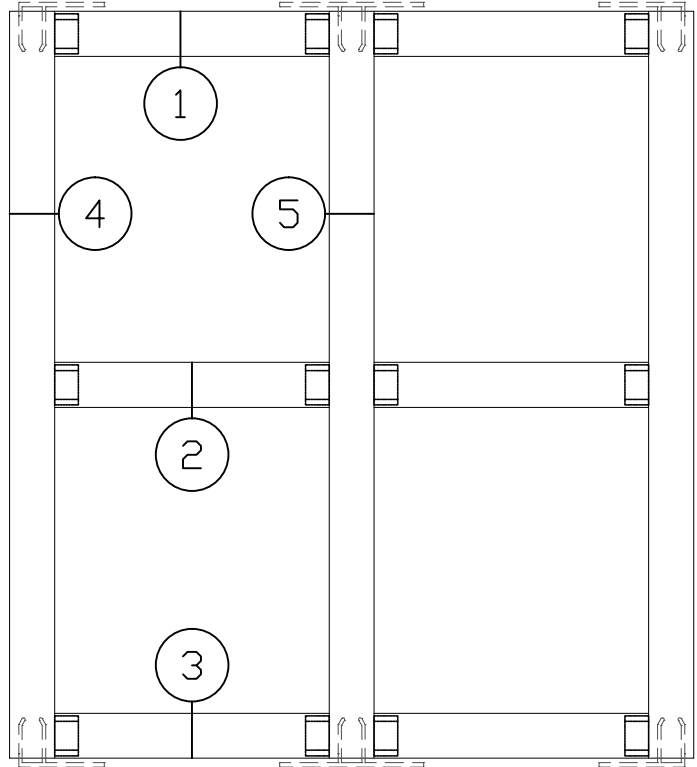
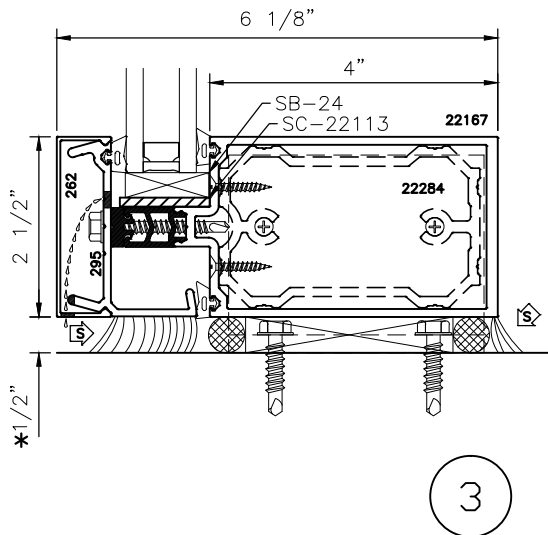
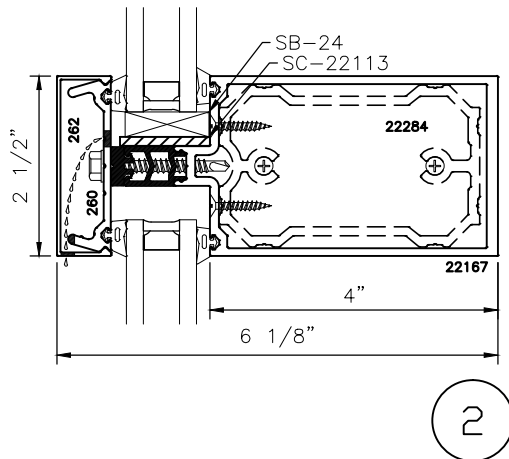
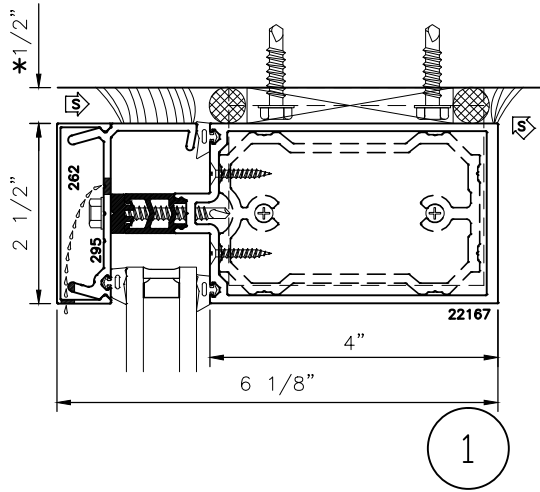




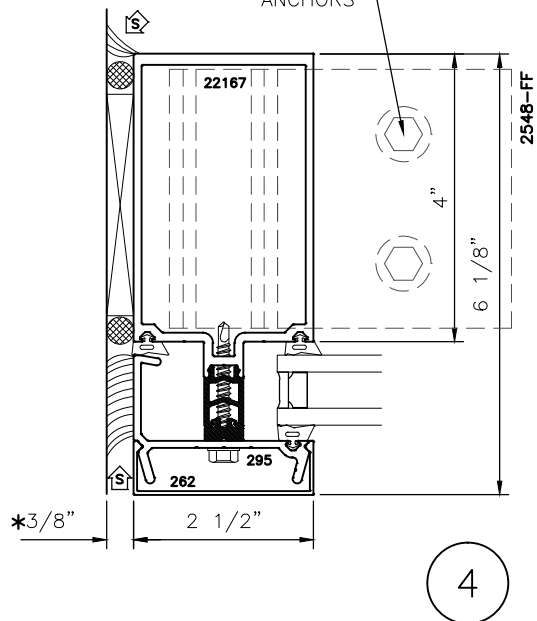
250xpt-2

2-1/2" X 6-1/8" (4" B.M.)
HIGH PERFORMANCE
THERMAL CURTAIN WALL
F & T ANCHOR DETAILS

* MINIMUM RECOMMENDED FOR THERMAL ISOLATION.
INCREASE AS REQUIRED TO COMPLY WITH SEALANT
MANUFACTURERS' INSTRUCTIONS



HEX HEAD SS BOLTS
ANCHOR FASTENERS (TYP.).
CONTINUOUS BED OF
SEALANT UNDER "F" & "T"
ANCHORS

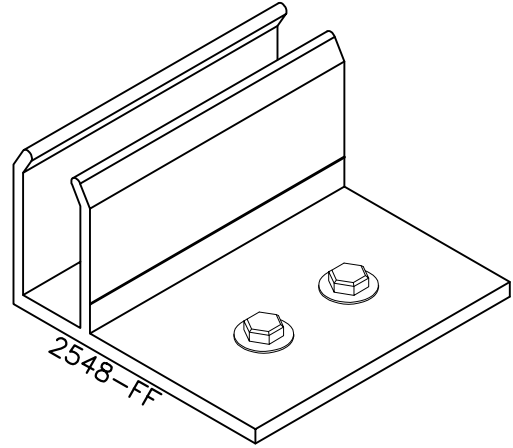
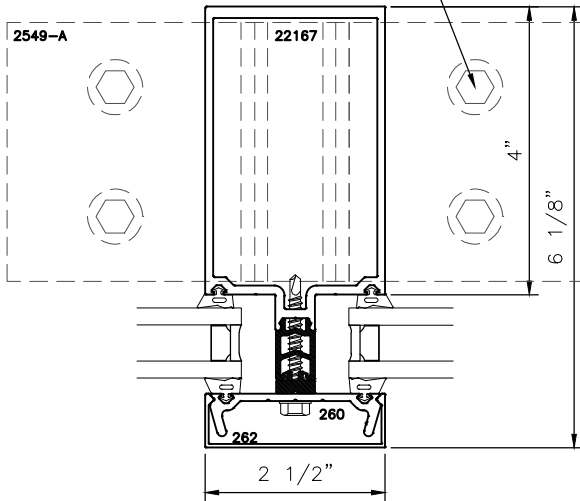




250xpt-2

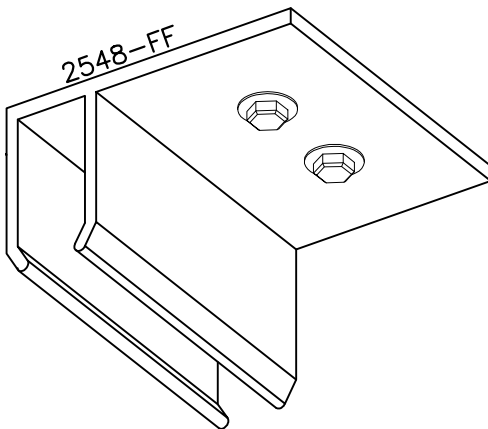
2-1/2" X 6-1/8" (4" B.M.) HIGH PERFORMANCE THERMAL CURTAIN WALL F & T ANCHOR DETAILS

HEX HEAD SS BOLTS
ANCHOR FASTENERS (TYP.).
CONTINUOUS BED OF
SEALANT UNDER "F" & "T"
ANCHORS

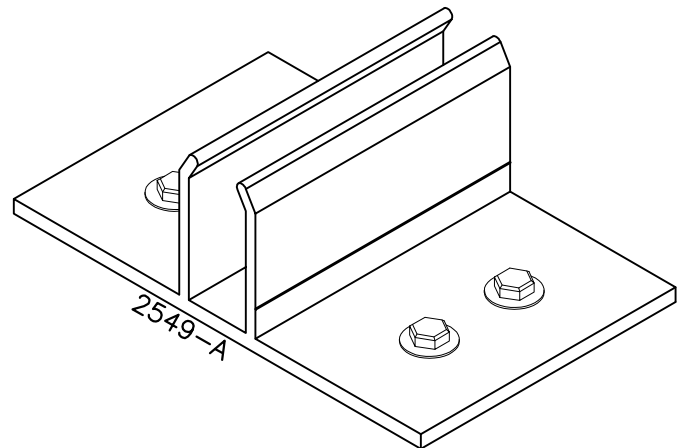


BOTTOM F-ANCHOR

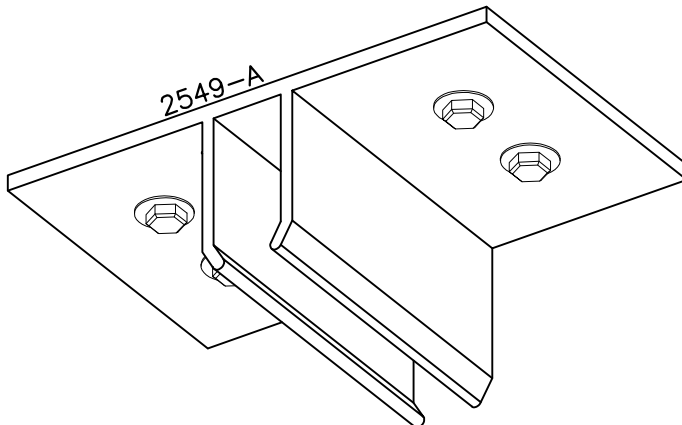
5



TOP F-ANCHOR



BOTTOM T-ANCHOR



TOP T-ANCHOR