

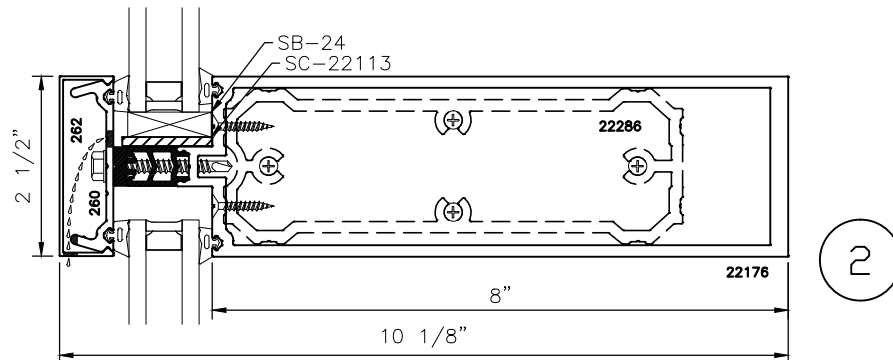
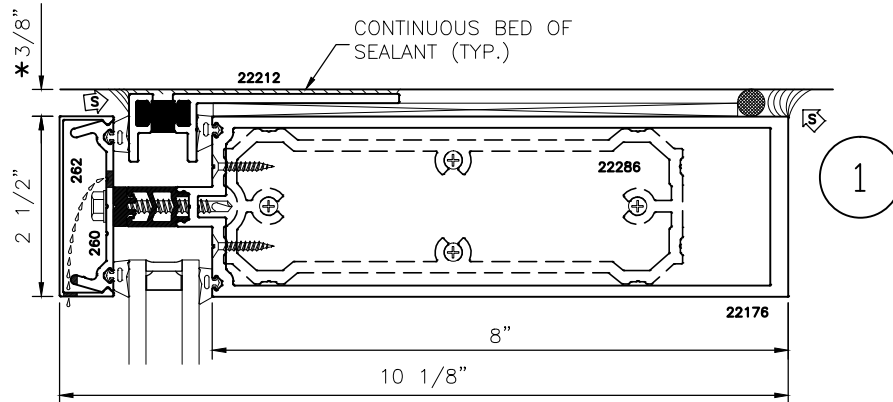
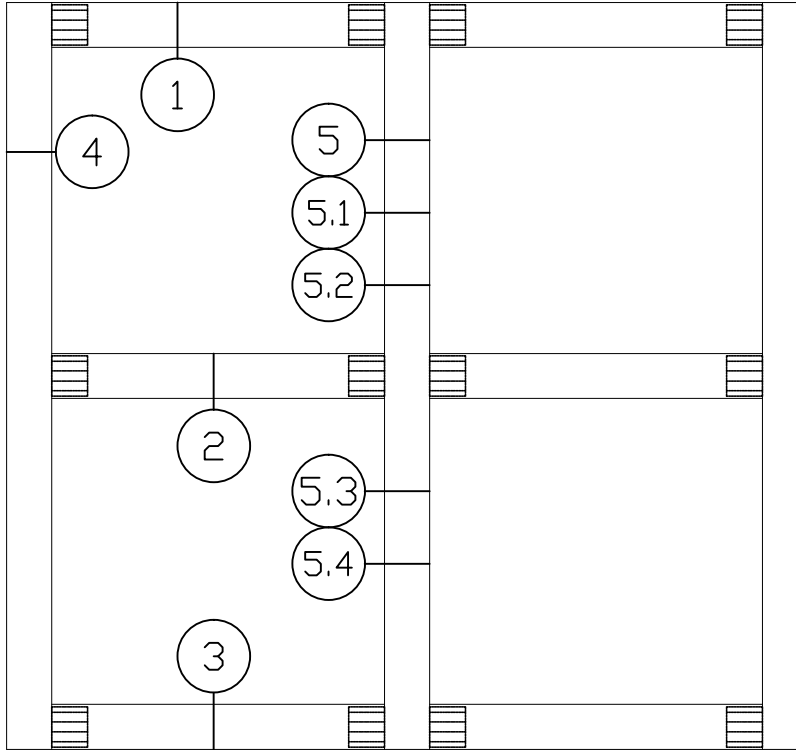


MANKO

250xpt-2

2-1/2" X 10-1/8" (8" B.M.) HIGH PERFORMANCE THERMAL CURTAIN WALL STANDARD / OPTIONAL DETAILS

* MINIMUM RECOMMENDED FOR THERMAL ISOLATION.
INCREASE AS REQUIRED TO COMPLY WITH SEALANT
MANUFACTURERS' INSTRUCTIONS

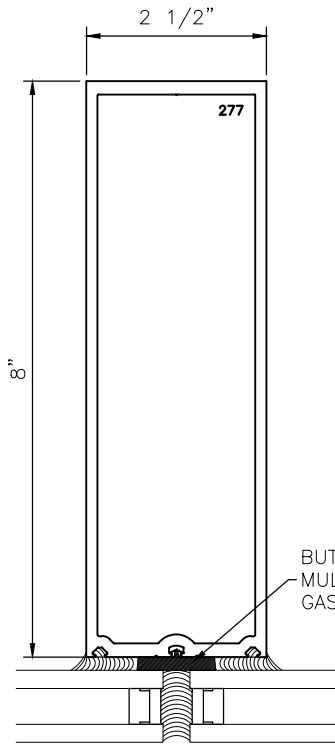




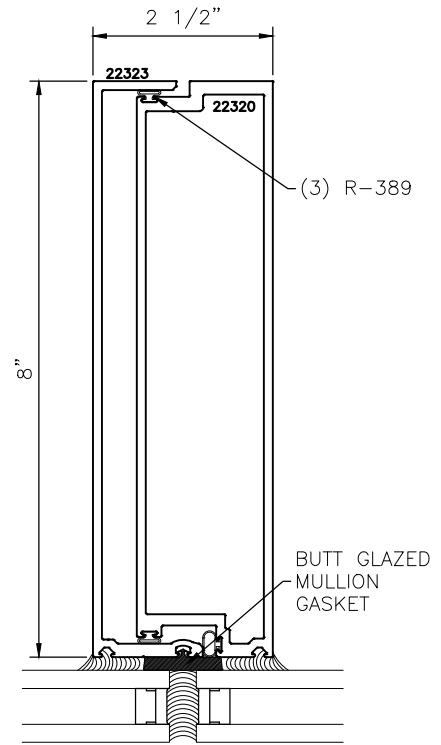
MANKO

250xpt-2

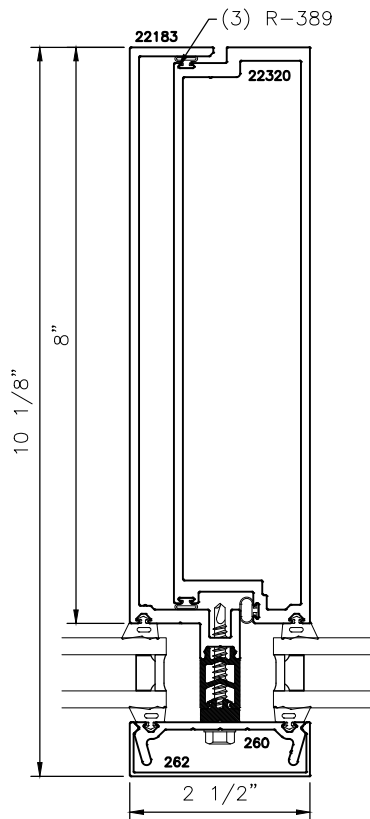
2-1/2" X 10-1/8" (8" B.M.) HIGH PERFORMANCE THERMAL CURTAIN WALL STANDARD / OPTIONAL DETAILS



OPT.
5.1



OPT.
5.3



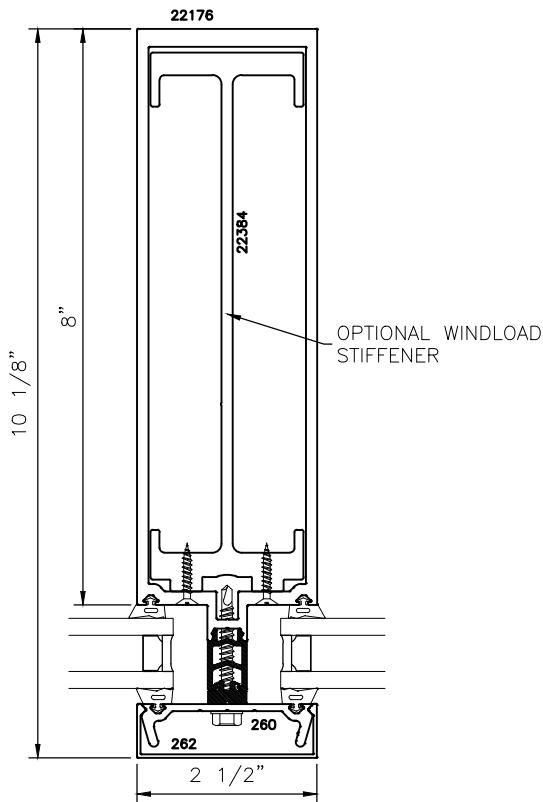
OPT.
5.2



MANKO

250xpt-2

2-1/2" X 10-1/8" (8" B.M.)
HIGH PERFORMANCE
THERMAL CURTAIN WALL
STANDARD / OPTIONAL DETAILS



□PT.

5.4