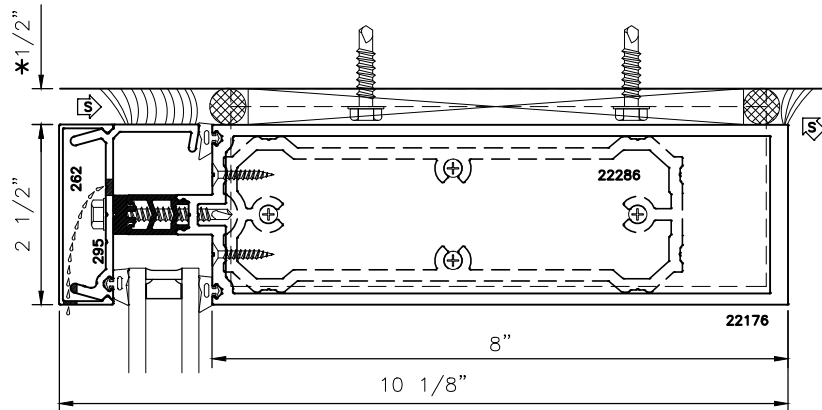
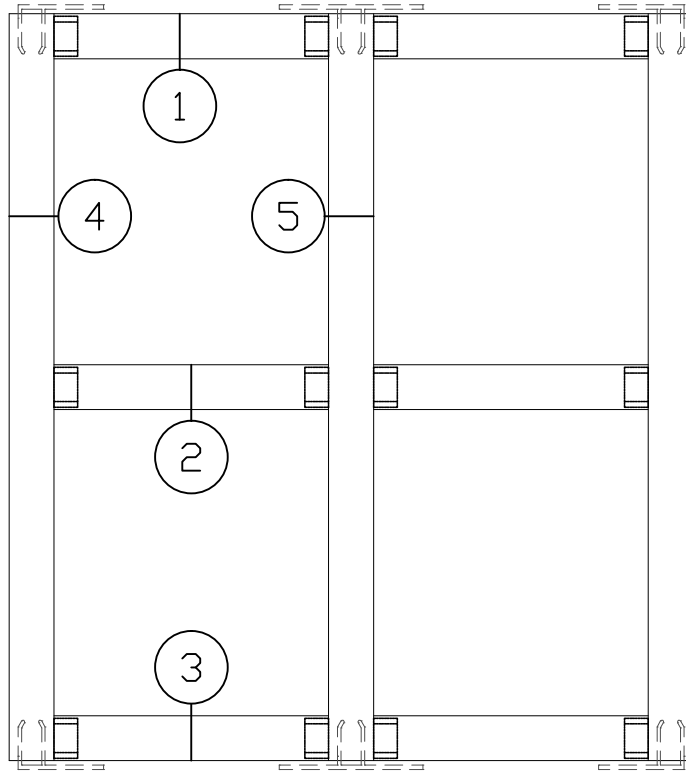




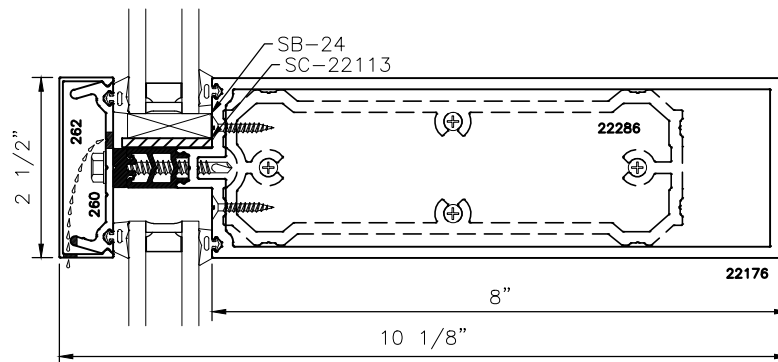
250xpt-2

2-1/2" X 10-1/8" (8" B.M.) HIGH PERFORMANCE THERMAL CURTAIN WALL F & T ANCHOR DETAILS

* MINIMUM RECOMMENDED FOR THERMAL ISOLATION.
INCREASE AS REQUIRED TO COMPLY WITH SEALANT
MANUFACTURERS' INSTRUCTIONS



1



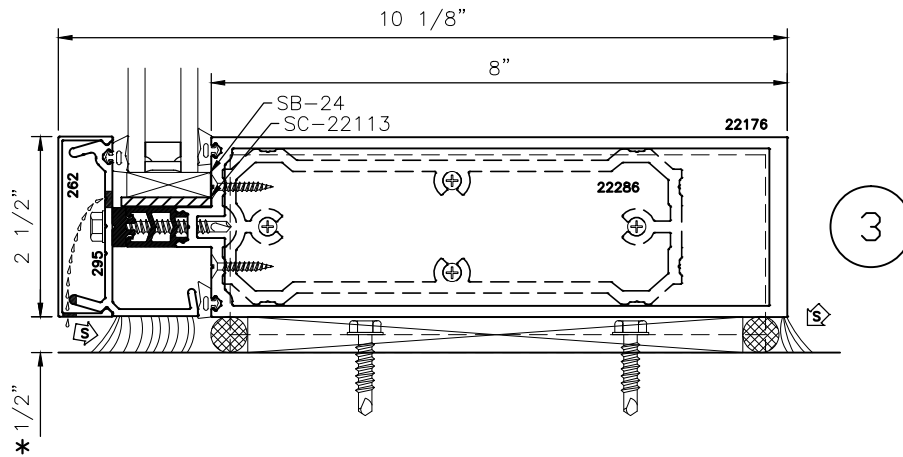
2



250xpt-2

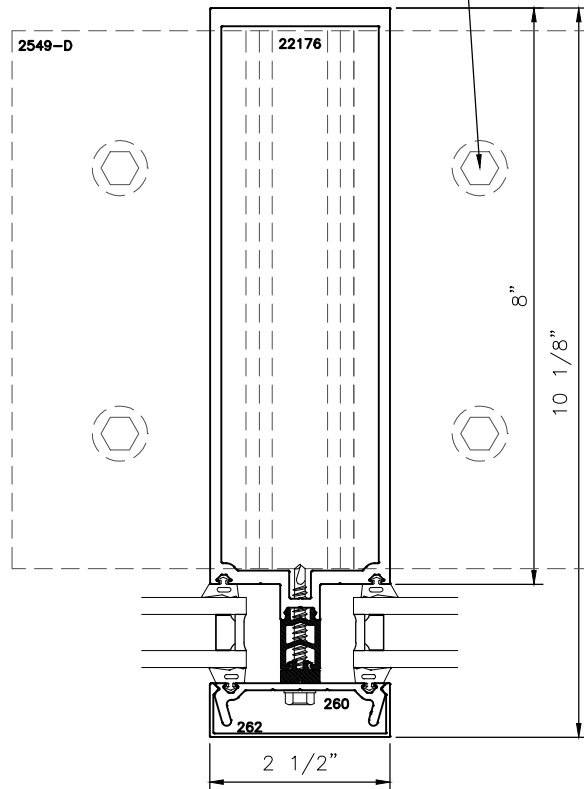
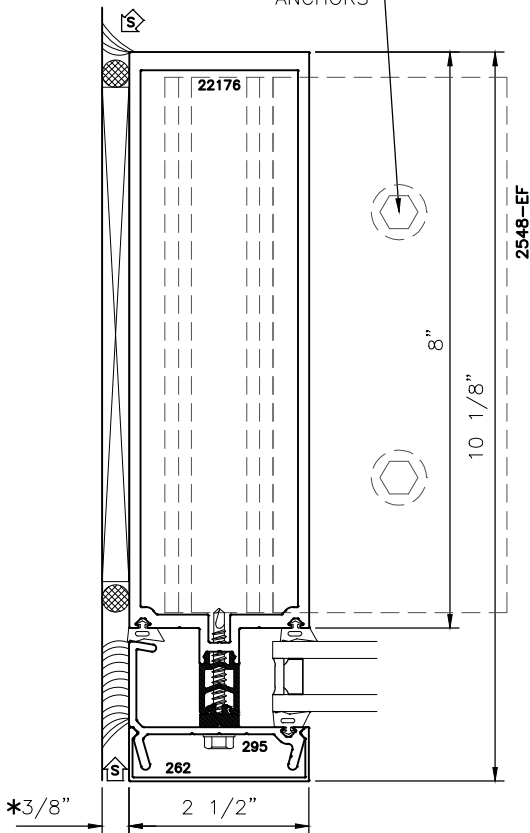
2-1/2" X 10-1/8" (8" B.M.) HIGH PERFORMANCE THERMAL CURTAIN WALL F & T ANCHOR DETAILS

* MINIMUM RECOMMENDED FOR THERMAL ISOLATION.
INCREASE AS REQUIRED TO COMPLY WITH SEALANT
MANUFACTURERS' INSTRUCTIONS



HEX HEAD SS BOLTS
ANCHOR FASTENERS (TYP.).
CONTINUOUS BED OF
SEALANT UNDER "F" & "T"
ANCHORS

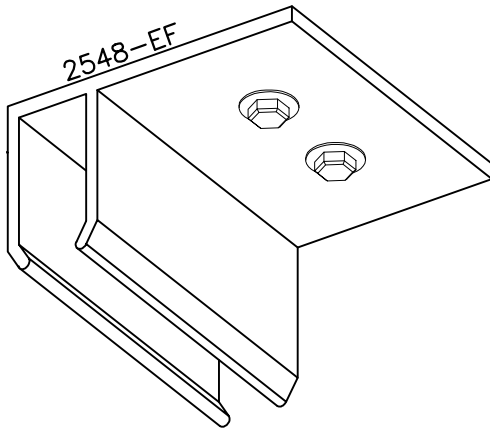
HEX HEAD SS BOLTS
ANCHOR FASTENERS (TYP.).
CONTINUOUS BED OF
SEALANT UNDER "F" & "T"
ANCHORS



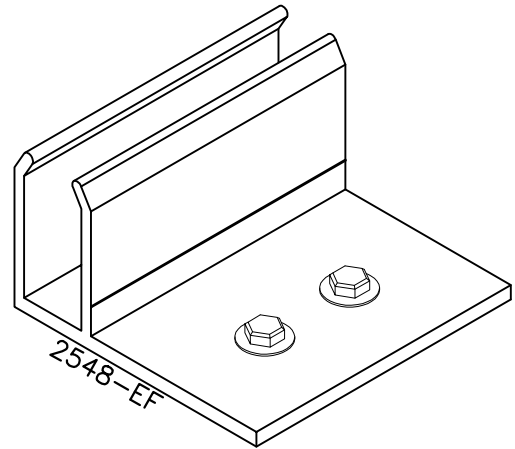


250xpt-2

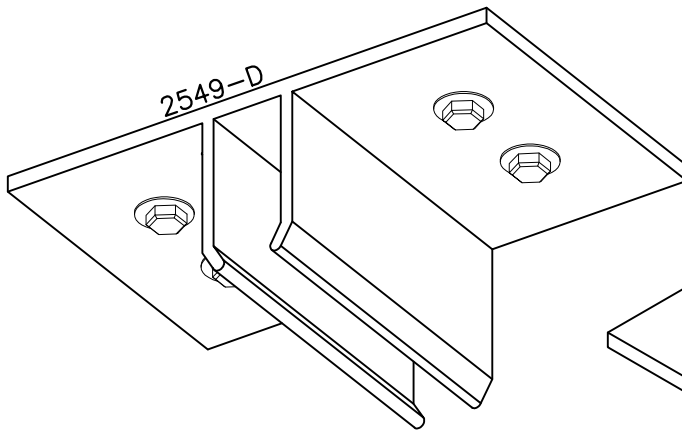
2-1/2" X 10-1/8" (8" B.M.) HIGH PERFORMANCE THERMAL CURTAIN WALL F & T ANCHOR DETAILS



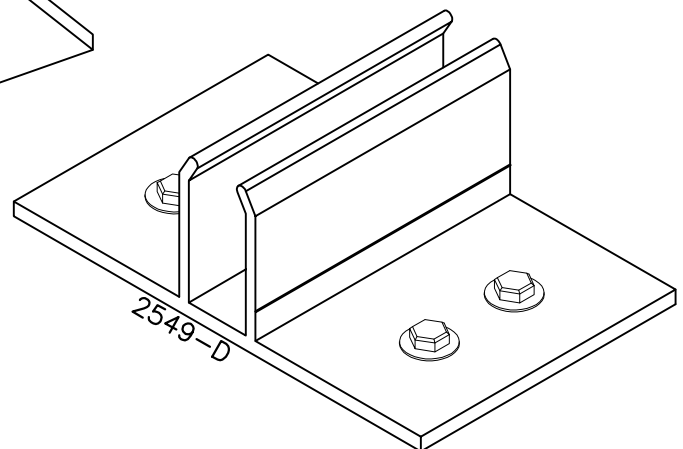
TOP F-ANCHOR



BOTTOM F-ANCHOR



TOP T-ANCHOR



BOTTOM T-ANCHOR