

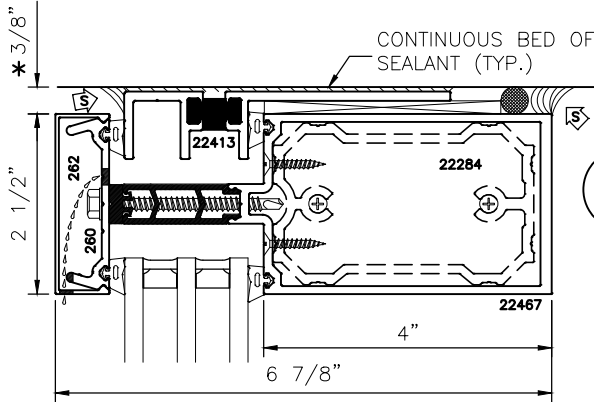
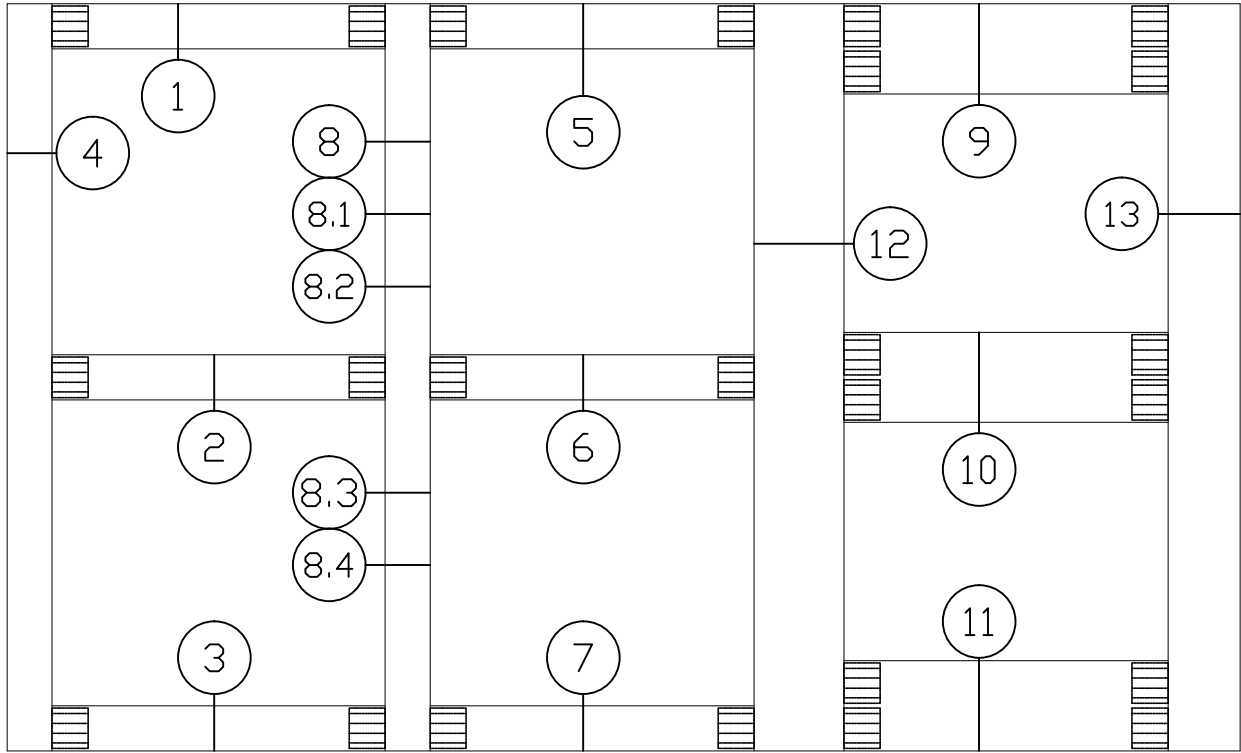


MANKO

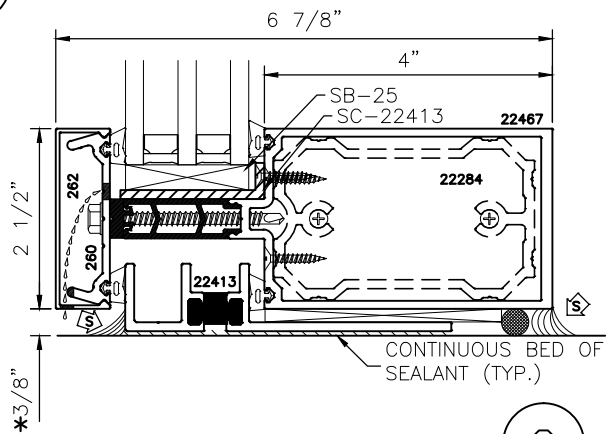
250xpt-3

2-1/2" X 6-7/8" (4" B.M.) HIGH PERFORMANCE THERMAL CURTAIN WALL STANDARD / OPTIONAL DETAILS

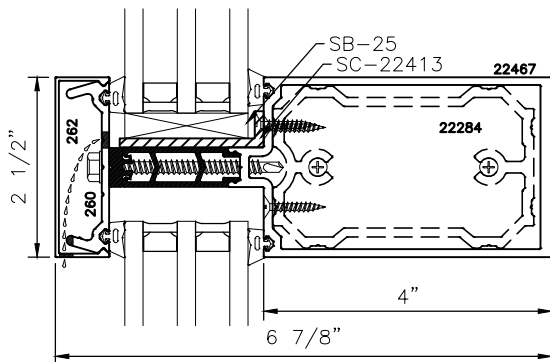
* MINIMUM RECOMMENDED FOR THERMAL ISOLATION.
INCREASE AS REQUIRED TO COMPLY WITH SEALANT
MANUFACTURERS' INSTRUCTIONS



1



3



2

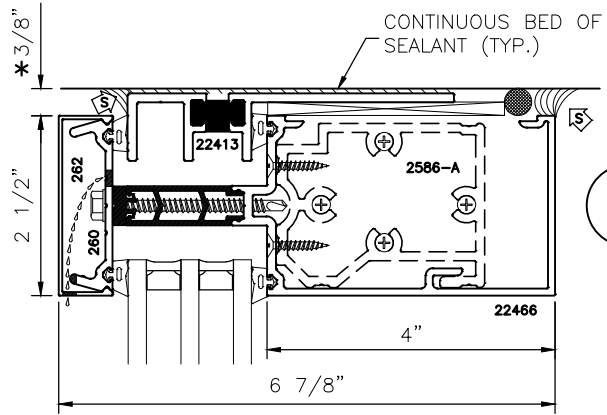


MANKO

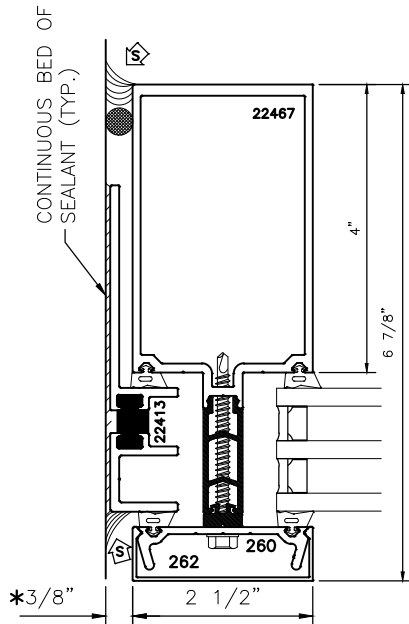
250xpt-3

2-1/2" X 6-7/8" (4" B.M.) HIGH PERFORMANCE THERMAL CURTAIN WALL STANDARD / OPTIONAL DETAILS

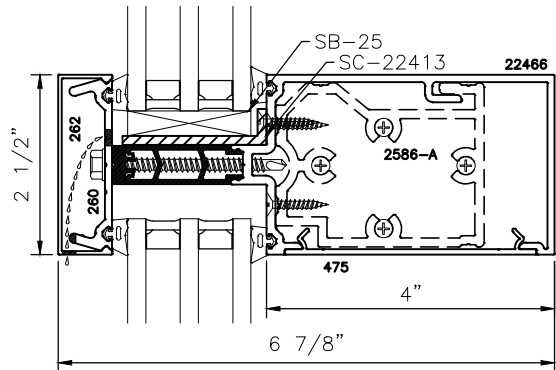
* MINIMUM RECOMMENDED FOR THERMAL ISOLATION.
INCREASE AS REQUIRED TO COMPLY WITH SEALANT
MANUFACTURERS' INSTRUCTIONS



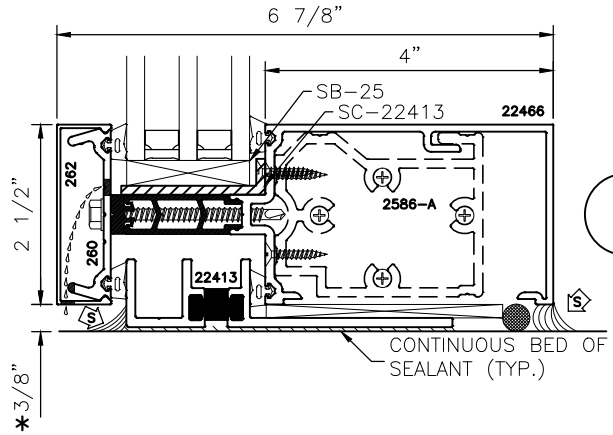
5



4



6



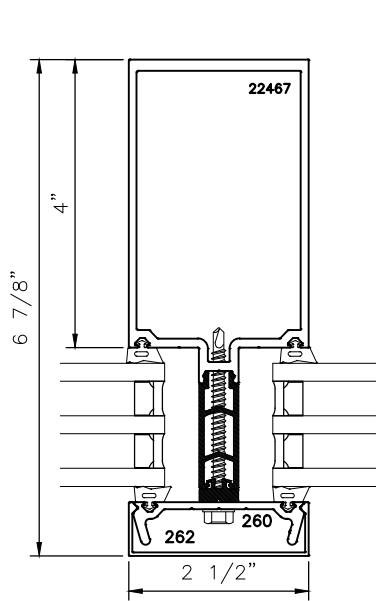
7



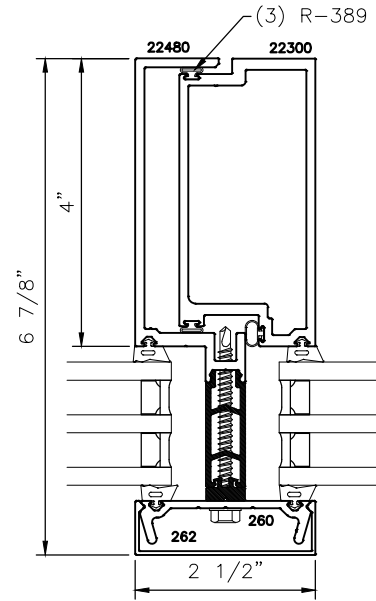
MANKO

250xpt-3

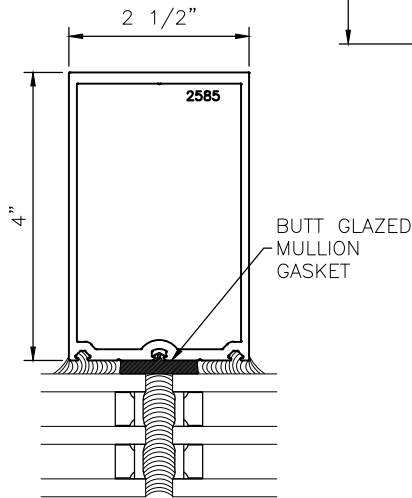
2-1/2" X 6-7/8" (4" B.M.) HIGH PERFORMANCE THERMAL CURTAIN WALL STANDARD/OPTIONAL DETAILS



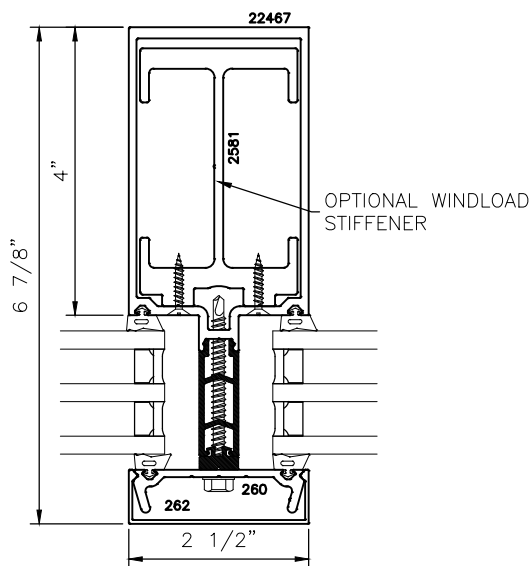
8



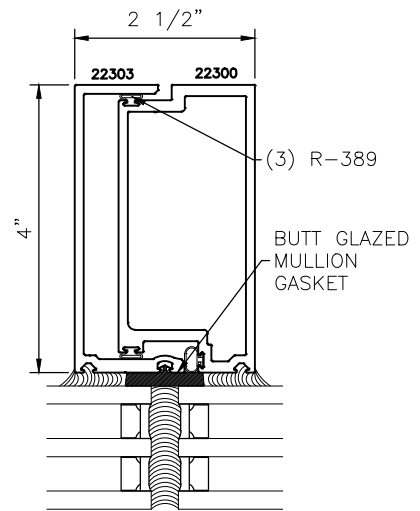
OPT.
8.3



OPT.
8.2



8.1



OPT.
8.4

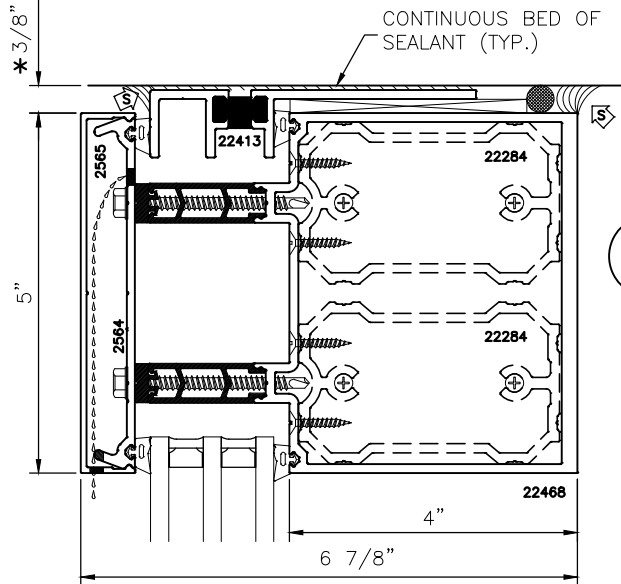


MANKO

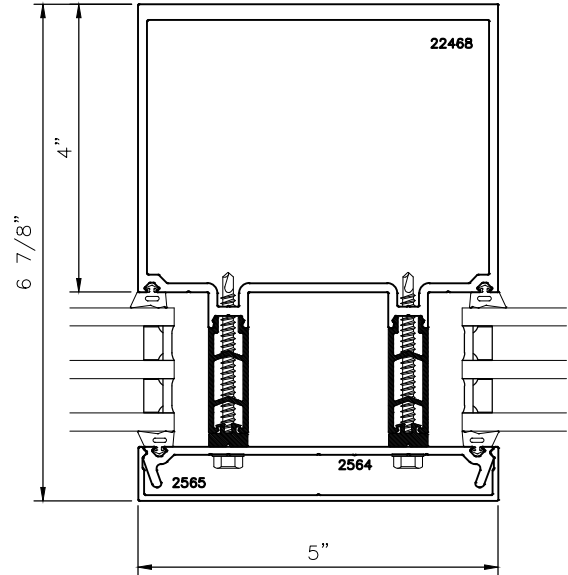
250xpt-3

2-1/2" X 6-7/8" (4" B.M.) HIGH PERFORMANCE THERMAL CURTAIN WALL STANDARD/OPTIONAL DETAILS

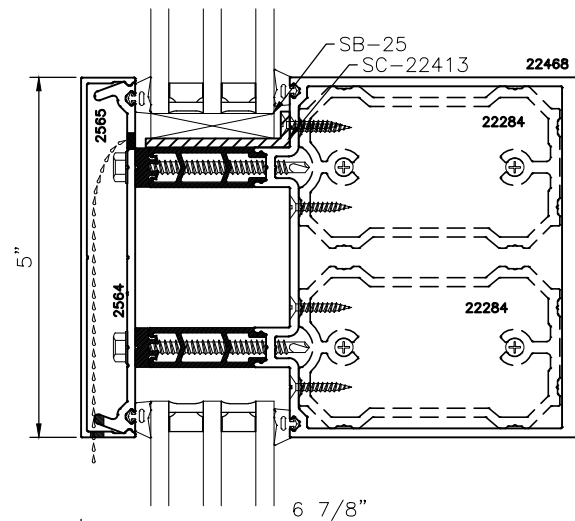
* MINIMUM RECOMMENDED FOR THERMAL ISOLATION.
INCREASE AS REQUIRED TO COMPLY WITH SEALANT
MANUFACTURERS' INSTRUCTIONS



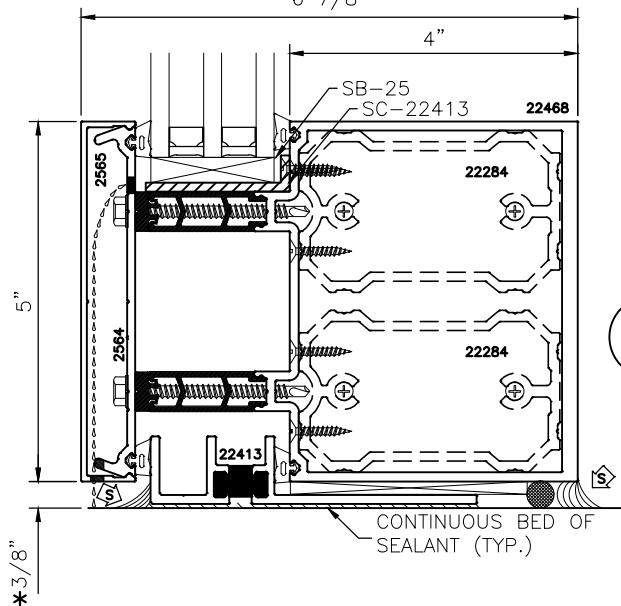
9



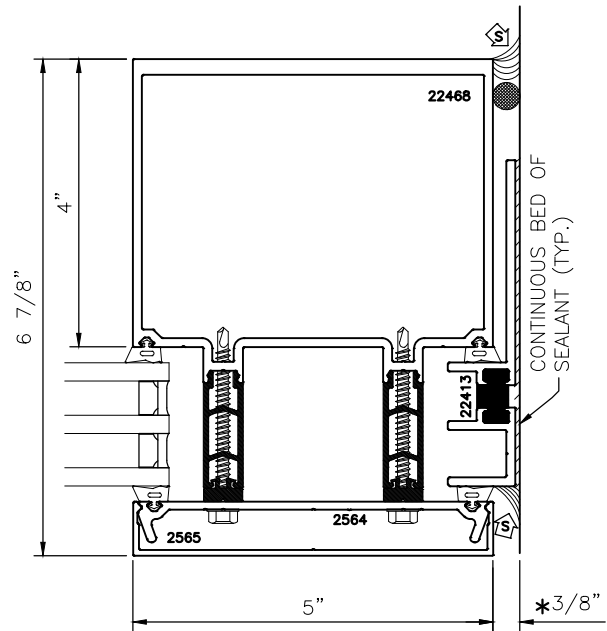
12



10



11



13