

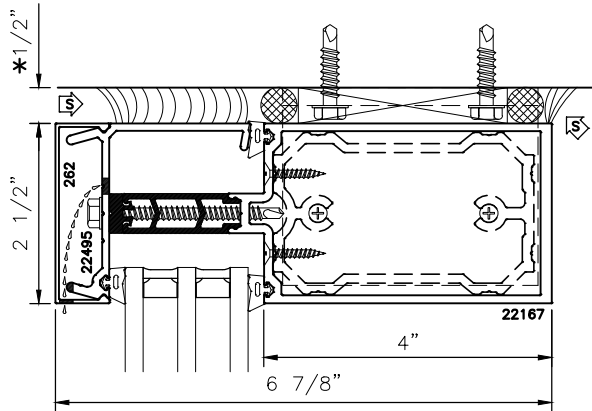


**MANKO**

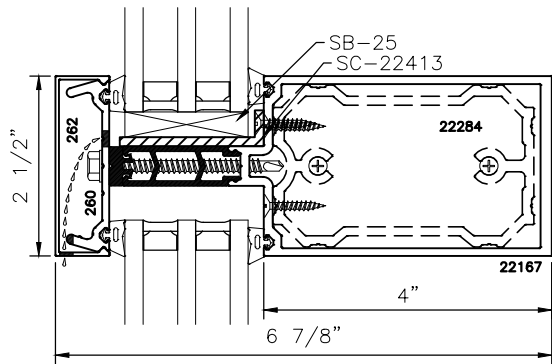
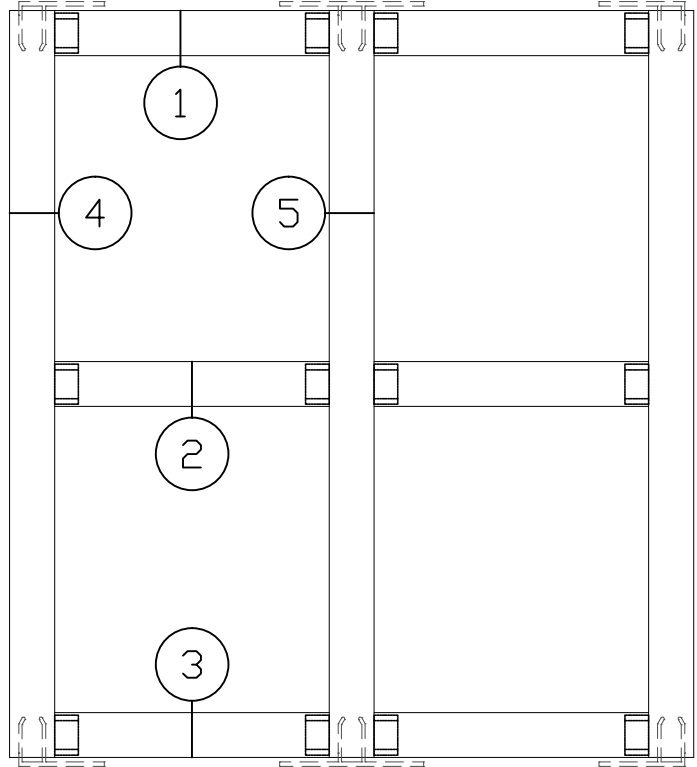
# 250xpt-3

## 2-1/2" X 6-7/8" (4" B.M.) HIGH PERFORMANCE THERMAL CURTAIN WALL F & T ANCHOR DETAILS

\* MINIMUM RECOMMENDED FOR THERMAL ISOLATION.  
INCREASE AS REQUIRED TO COMPLY WITH SEALANT  
MANUFACTURERS' INSTRUCTIONS

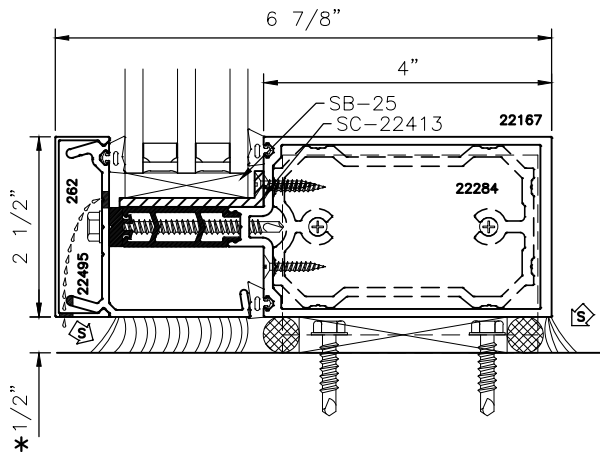


1

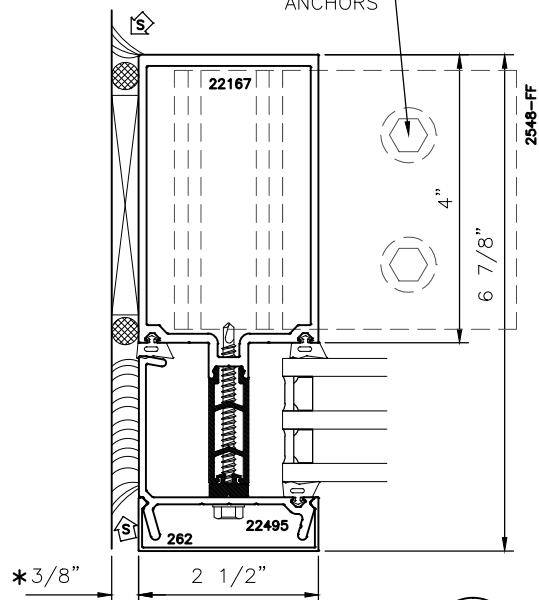


2

HEX HEAD SS BOLTS  
ANCHOR FASTENERS (TYP.).  
CONTINUOUS BED OF  
SEALANT UNDER "F" & "T"  
ANCHORS



3



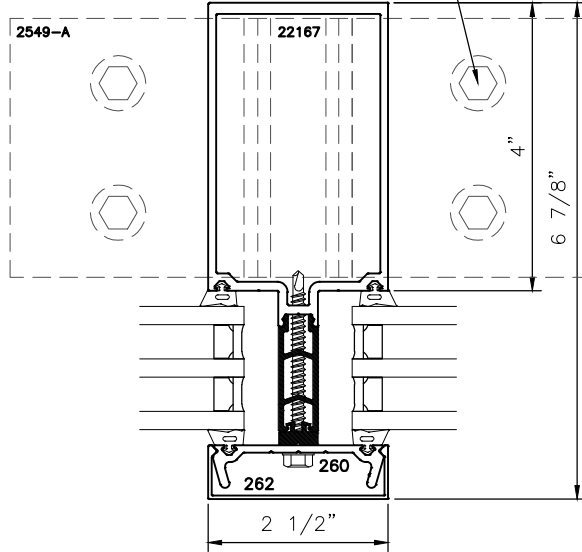
4



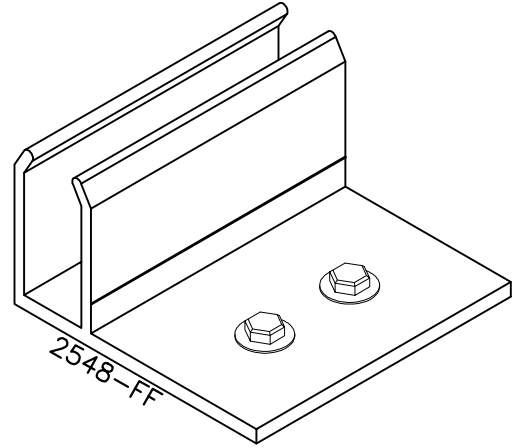
# 250xpt-3

## 2-1/2" X 6-7/8" (4" B.M.) HIGH PERFORMANCE THERMAL CURTAIN WALL F & T ANCHOR DETAILS

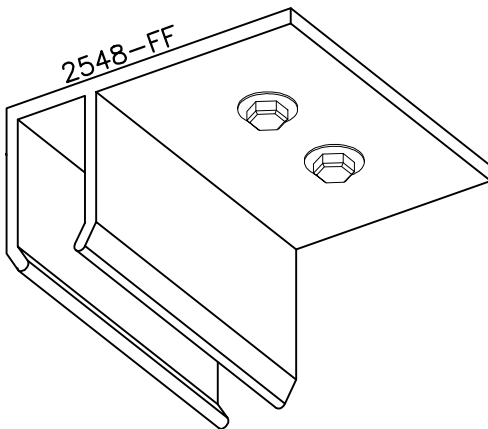
HEX HEAD SS BOLTS  
ANCHOR FASTENERS (TYP.),  
CONTINUOUS BED OF SEALANT  
UNDER "F" & "T" ANCHORS



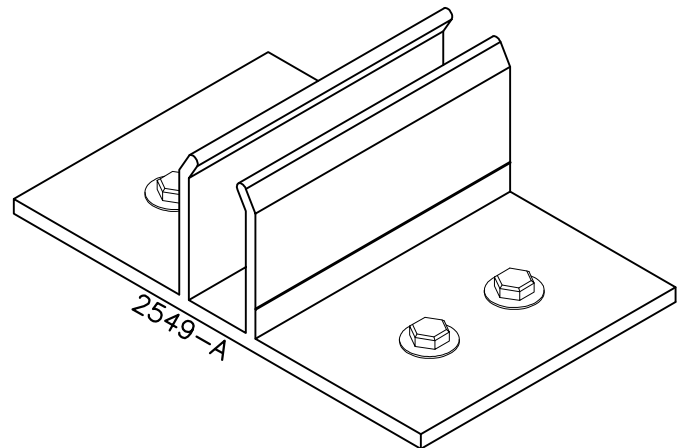
5



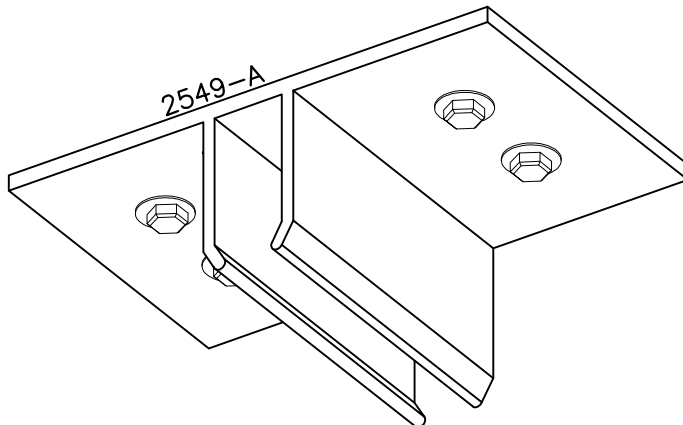
BOTTOM F-ANCHOR



TOP F-ANCHOR



BOTTOM T-ANCHOR



TOP T-ANCHOR