

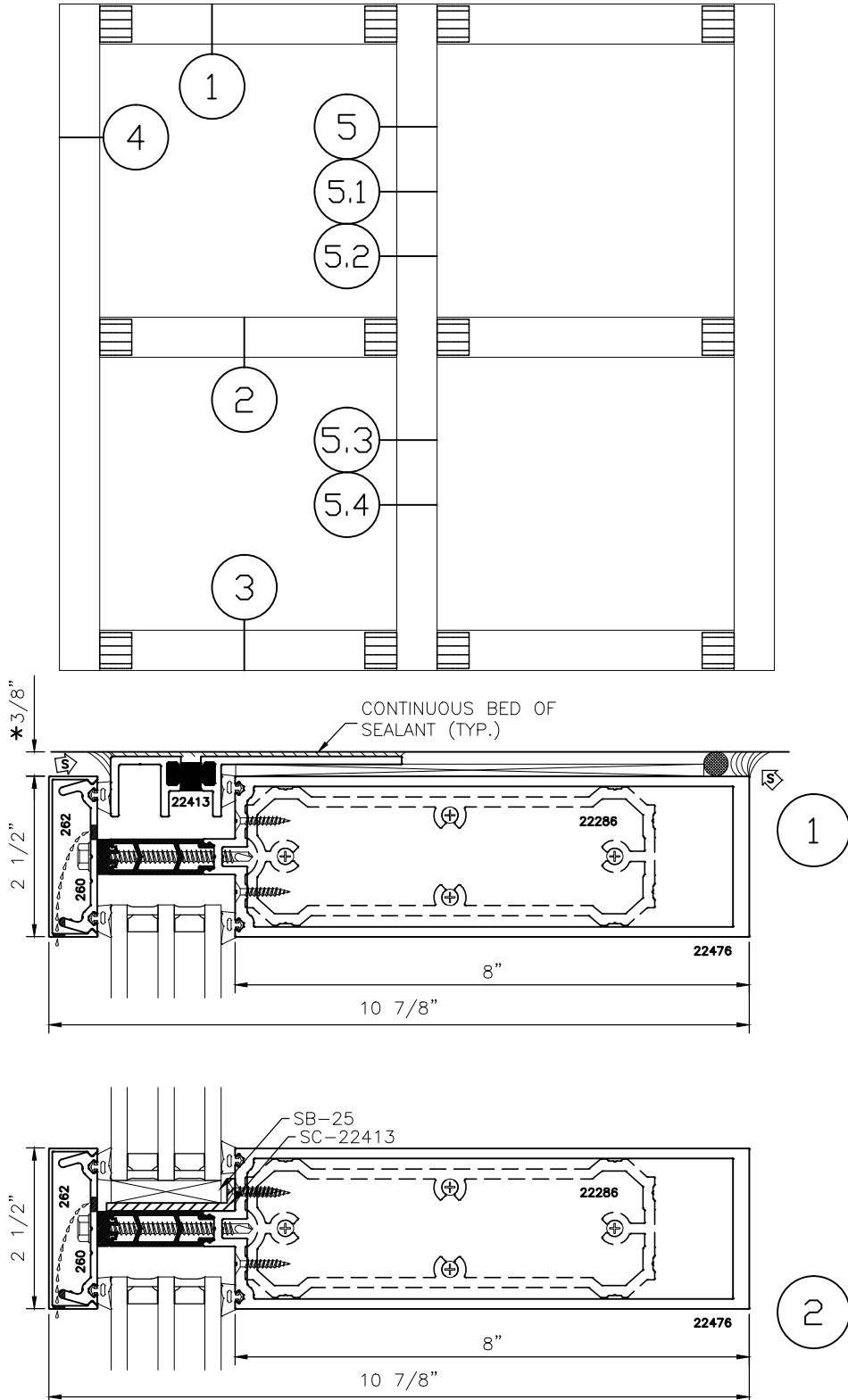


MANKO

250xpt-3

2-1/2" X 10 7/8" (8" B.M.) HIGH PERFORMANCE THERMAL CURTAIN WALL STANDARD/OPTIONAL DETAILS

* MINIMUM RECOMMENDED FOR THERMAL ISOLATION.
INCREASE AS REQUIRED TO COMPLY WITH SEALANT
MANUFACTURERS' INSTRUCTIONS



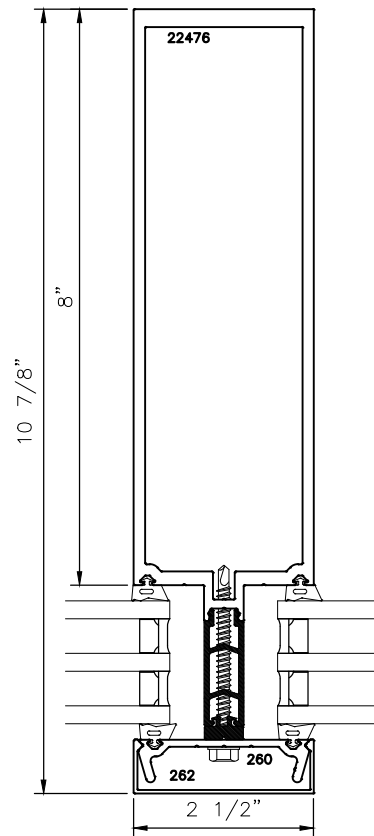
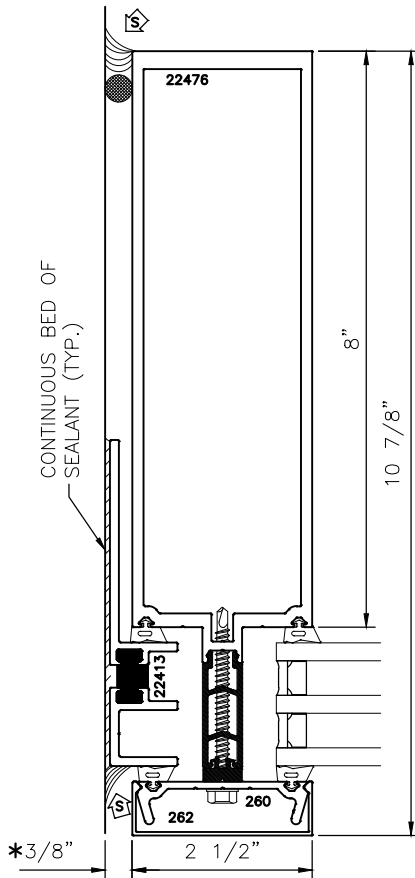
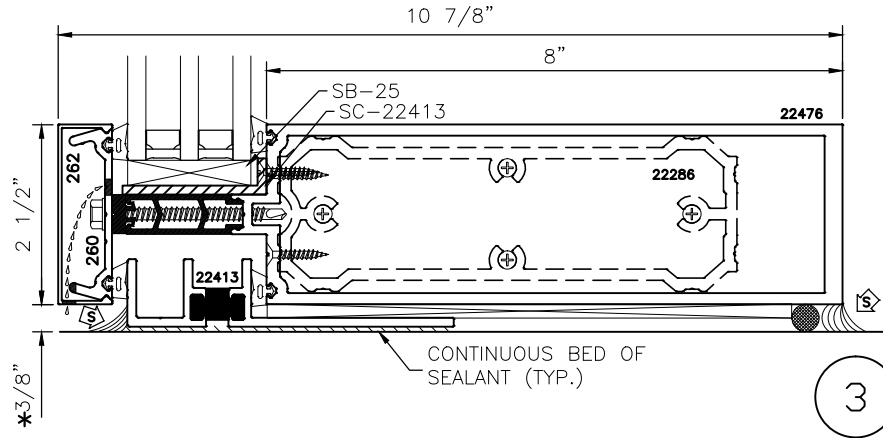


MANKO

250xpt-3

2-1/2" X 10 7/8" (8" B.M.) HIGH PERFORMANCE THERMAL CURTAIN WALL STANDARD/OPTIONAL DETAILS

* MINIMUM RECOMMENDED FOR THERMAL ISOLATION.
INCREASE AS REQUIRED TO COMPLY WITH SEALANT
MANUFACTURERS' INSTRUCTIONS

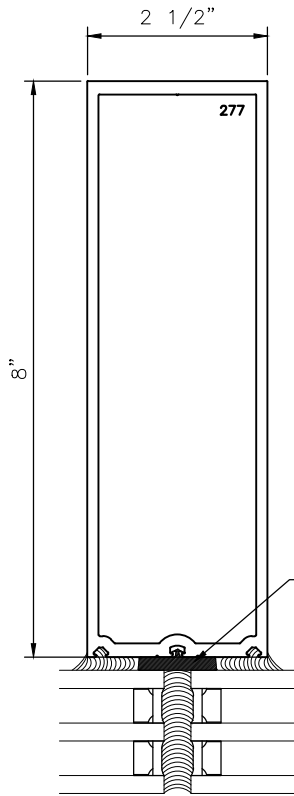




MANKO

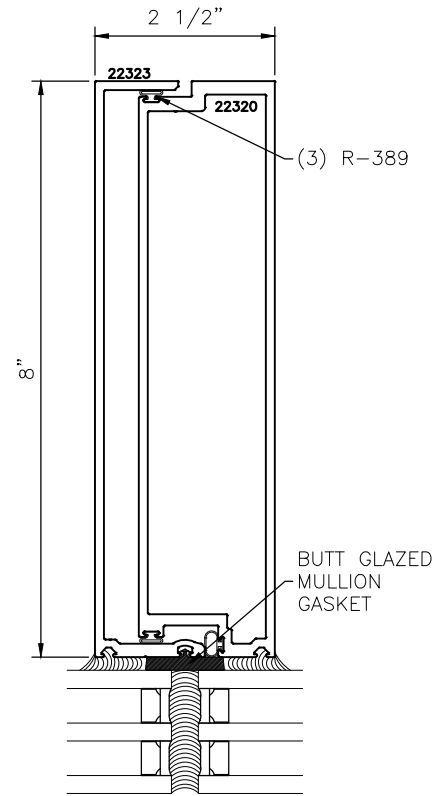
250xpt-3

2-1/2" X 10 7/8" (8" B.M.) HIGH PERFORMANCE THERMAL CURTAIN WALL STANDARD / OPTIONAL DETAILS



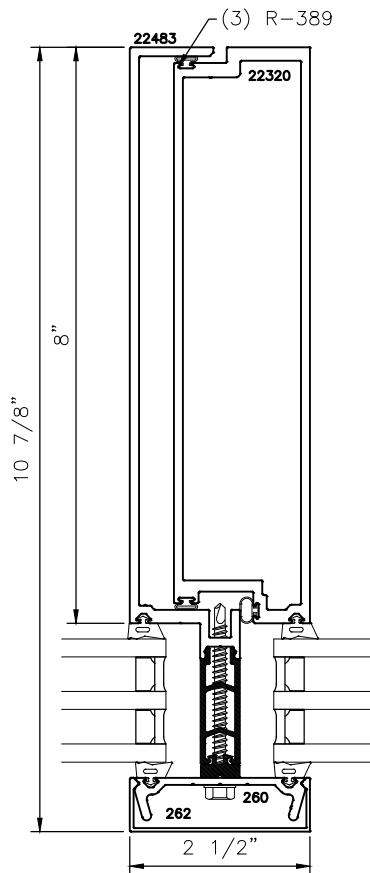
OPT.

5.1



OPT.

5.3



OPT.

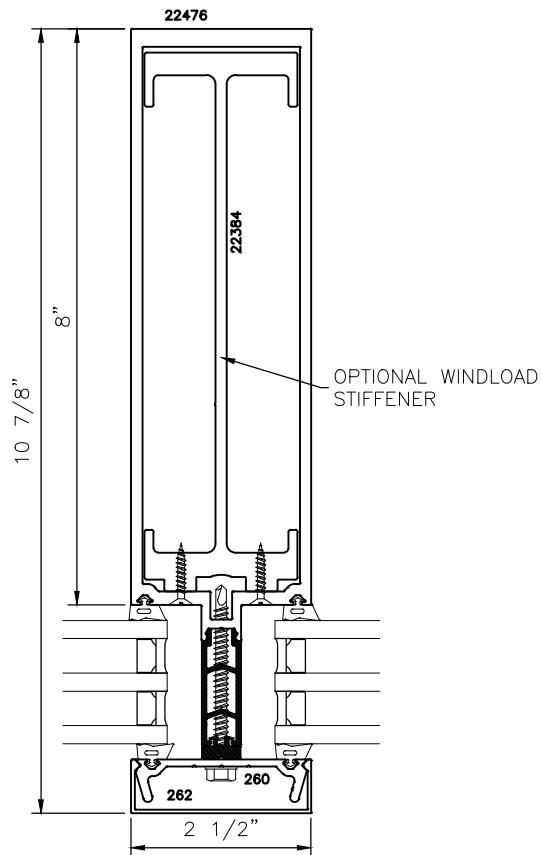
5.2



MANKO

250xpt-3

2-1/2" X 10 7/8" (8" B.M.)
HIGH PERFORMANCE
THERMAL CURTAIN WALL
STANDARD / OPTIONAL DETAILS



OPT.

5.4