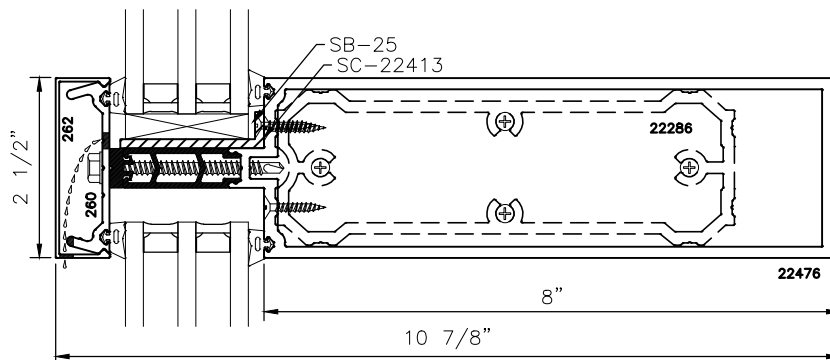
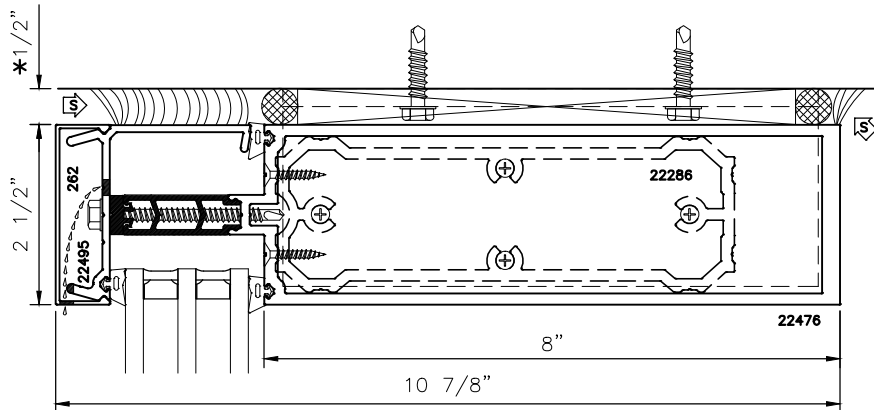
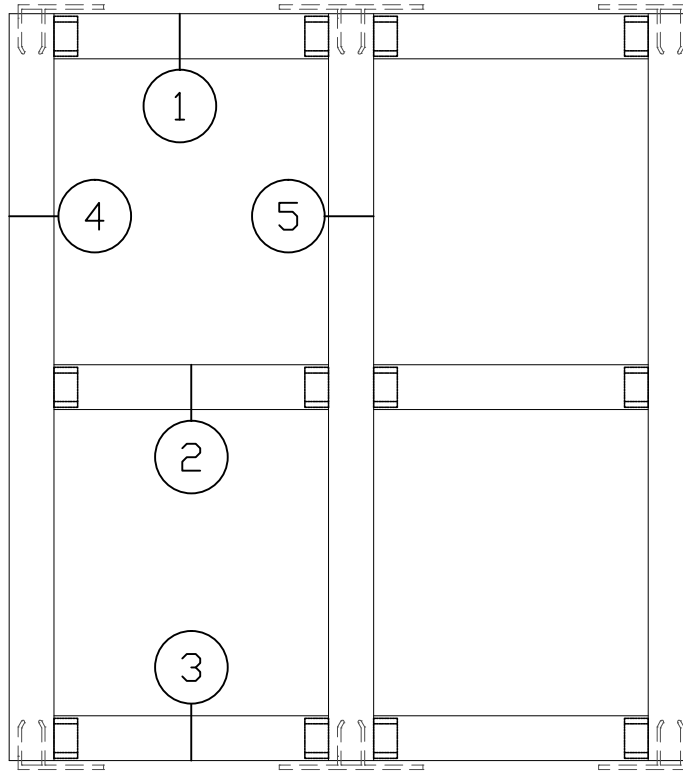




# 250xpt-3

## 2-1/2" X 10 7/8" (8" B.M.) HIGH PERFORMANCE THERMAL CURTAIN WALL F & T ANCHOR DETAILS

\* MINIMUM RECOMMENDED FOR THERMAL ISOLATION.  
INCREASE AS REQUIRED TO COMPLY WITH SEALANT  
MANUFACTURERS' INSTRUCTIONS

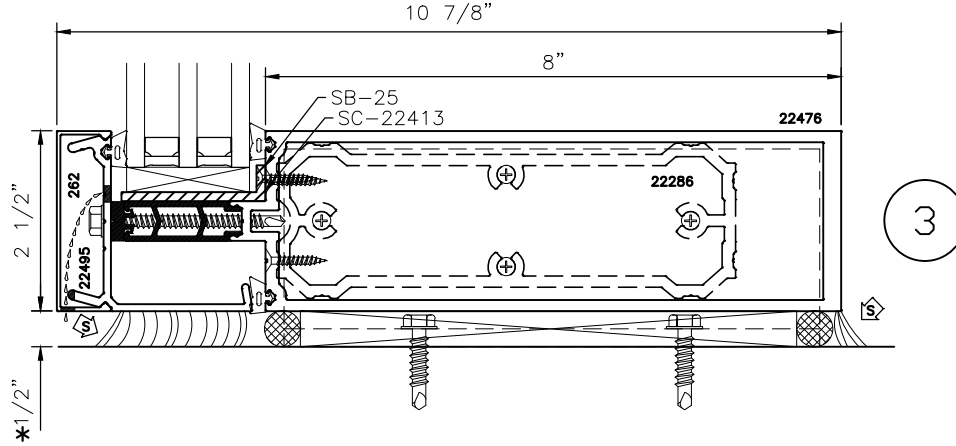




# 250xpt-3

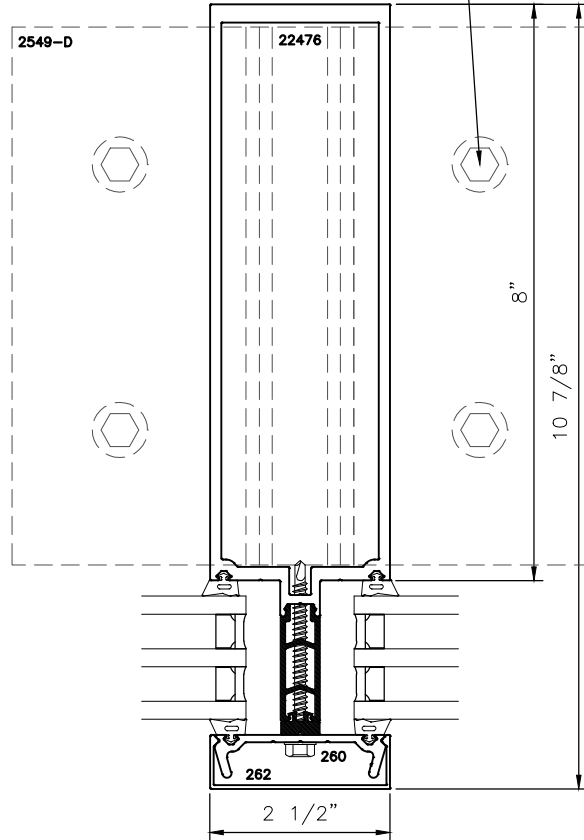
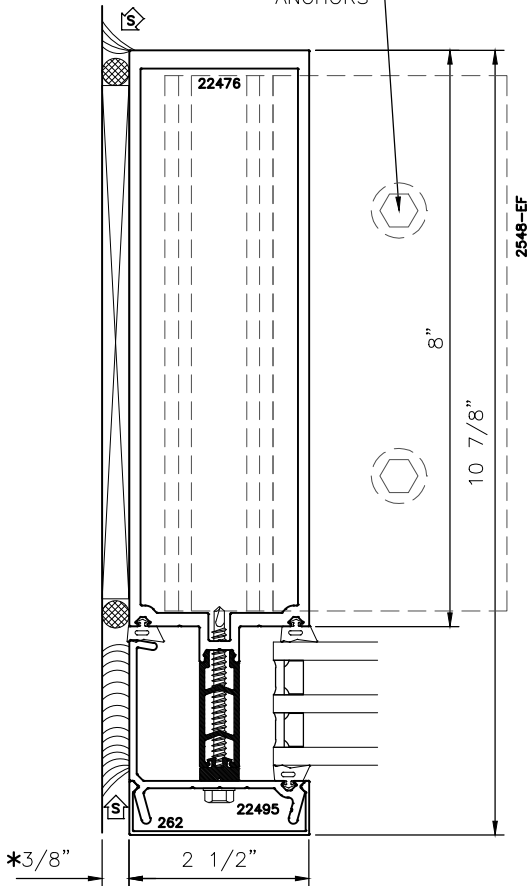
## 2-1/2" X 10 7/8" (8" B.M.) HIGH PERFORMANCE THERMAL CURTAIN WALL F & T ANCHOR DETAILS

\* MINIMUM RECOMMENDED FOR THERMAL ISOLATION.  
INCREASE AS REQUIRED TO COMPLY WITH SEALANT  
MANUFACTURERS' INSTRUCTIONS



HEX HEAD SS BOLTS  
ANCHOR FASTENERS (TYP.).  
CONTINUOUS BED OF  
SEALANT UNDER "F" & "T"  
ANCHORS

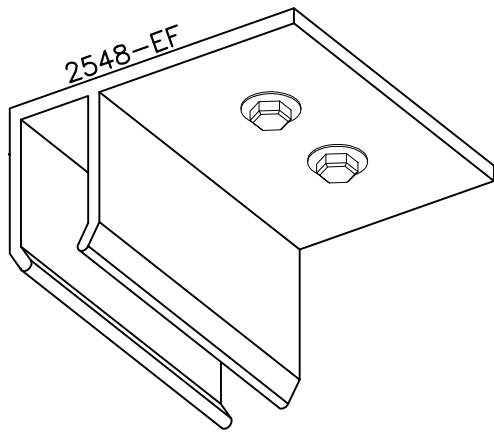
HEX HEAD SS BOLTS  
ANCHOR FASTENERS (TYP.).  
CONTINUOUS BED OF  
SEALANT UNDER "F" & "T"  
ANCHORS



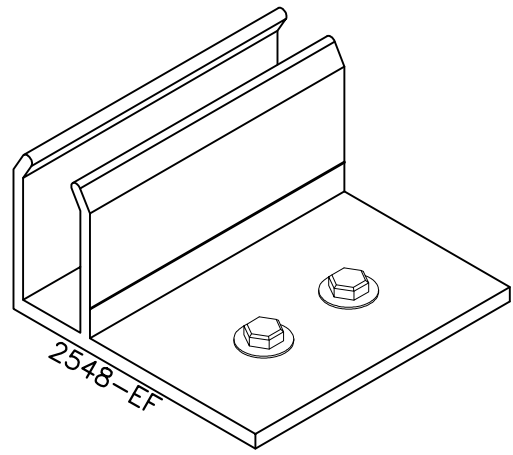


# 250xpt-3

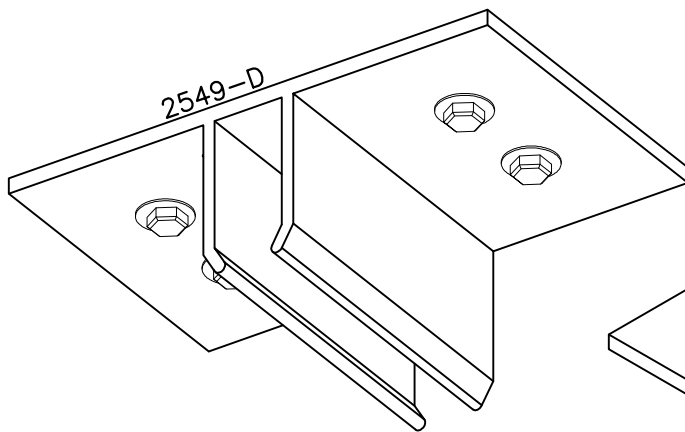
2-1/2" X 10 7/8" (8" B.M.)  
HIGH PERFORMANCE  
THERMAL CURTAIN WALL  
F & T ANCHOR DETAILS



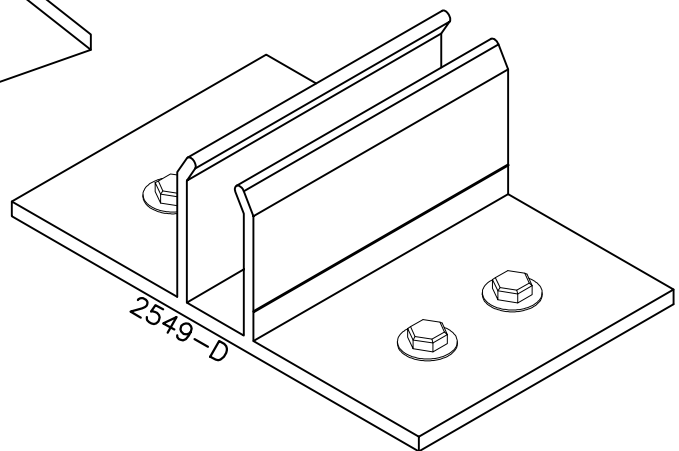
TOP F-ANCHOR



BOTTOM F-ANCHOR



TOP T-ANCHOR



BOTTOM T-ANCHOR