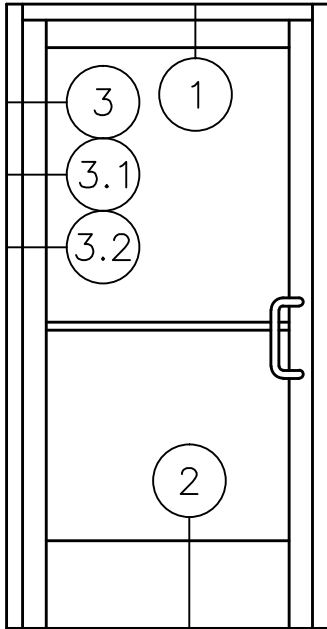


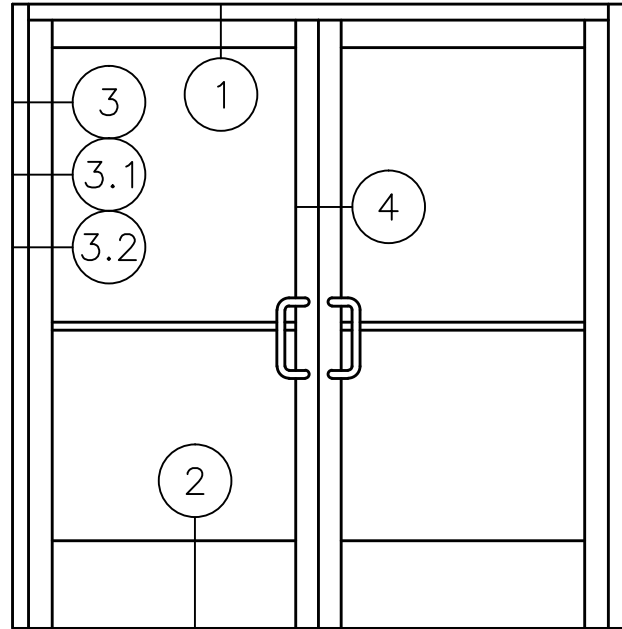


1450

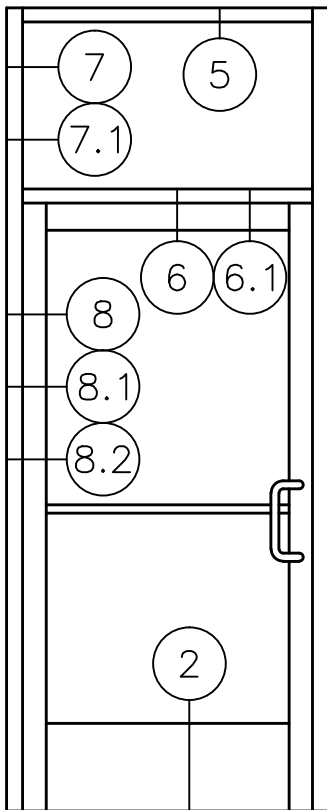
2" X 4 1/2" NON-THERMAL  
STOREFRONT DOOR FRAME  
WITH 100 SERIES (NARROW STILE)  
DOOR STANDARD DETAILS



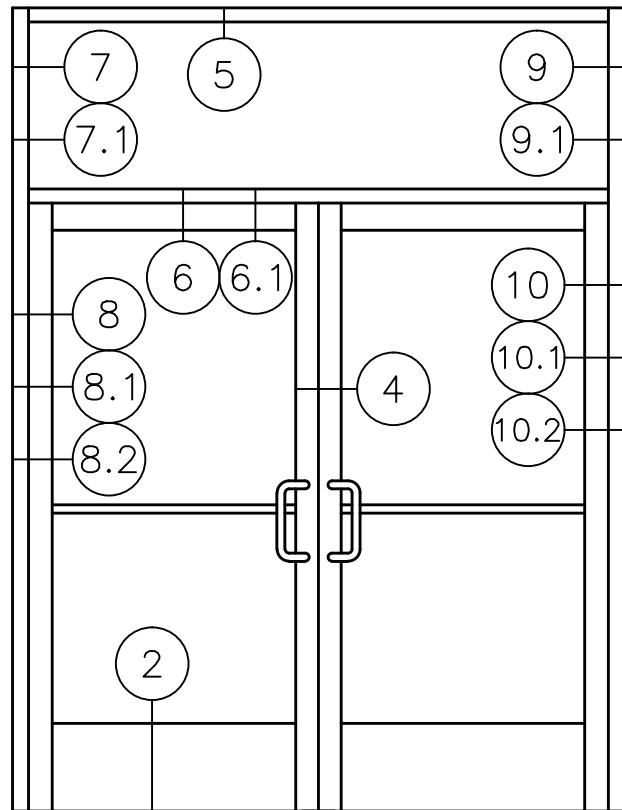
SINGLE DOOR  
WITHOUT TRANSOM  
STANDARD CONFIGURATION



PAIR DOORS  
WITHOUT TRANSOM  
STANDARD CONFIGURATION



SINGLE DOOR  
WITH TRANSOM  
STANDARD CONFIGURATION



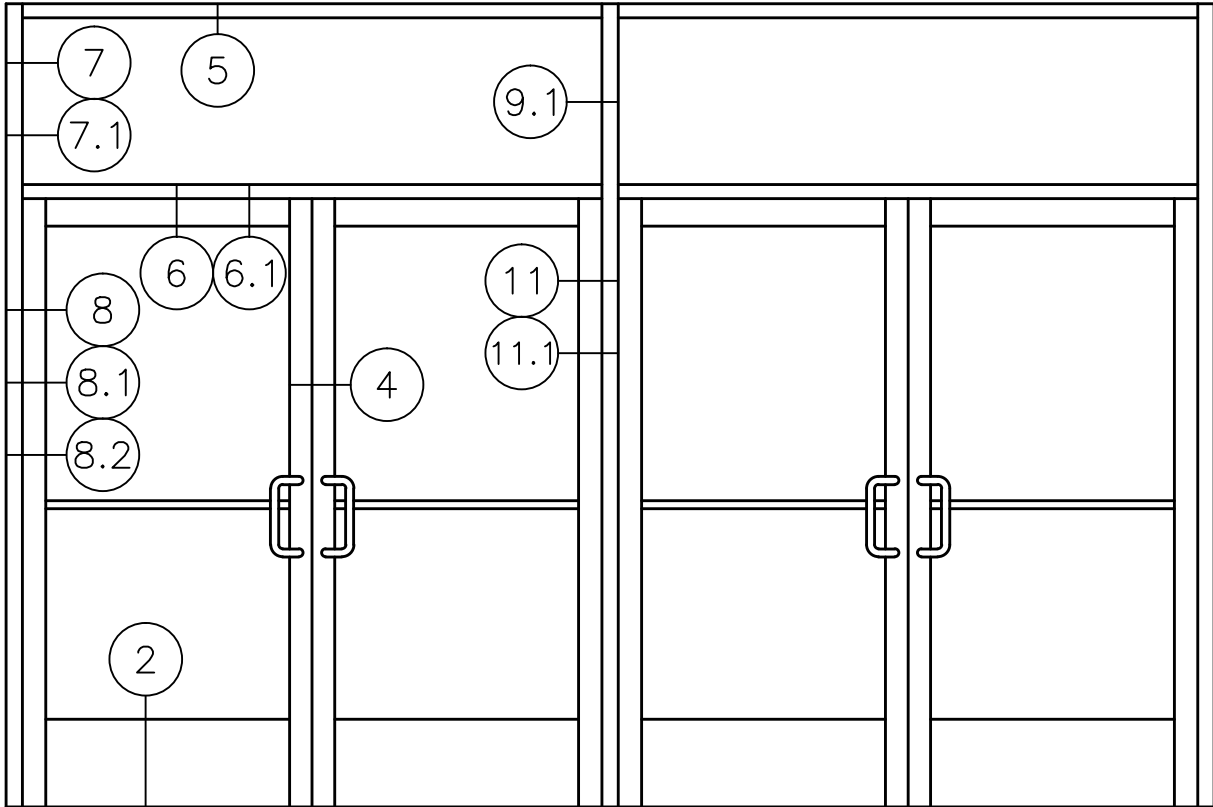
PAIR DOORS  
WITH TRANSOM  
STANDARD CONFIGURATION



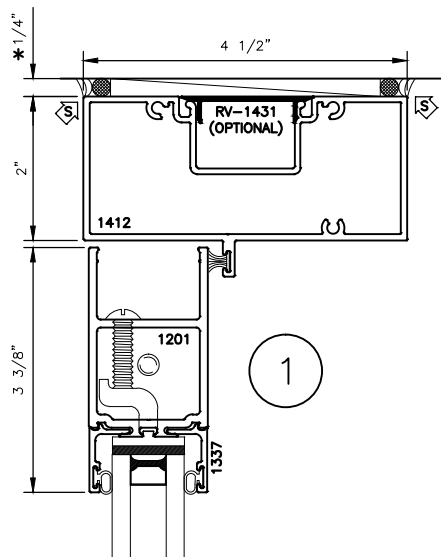
1450

2" X 4 1/2" NON-THERMAL  
STOREFRONT DOOR FRAME  
WITH 100 SERIES (NARROW STILE)  
DOOR STANDARD DETAILS

\* MINIMUM RECOMMENDED FOR THERMAL ISOLATION.  
INCREASE AS REQUIRED TO COMPLY WITH SEALANT  
MANUFACTURERS' INSTRUCTIONS



MULTIPLE PAIR DOORS MULLED TOGETHER  
WITH TRANSOM STANDARD CONFIGURATION

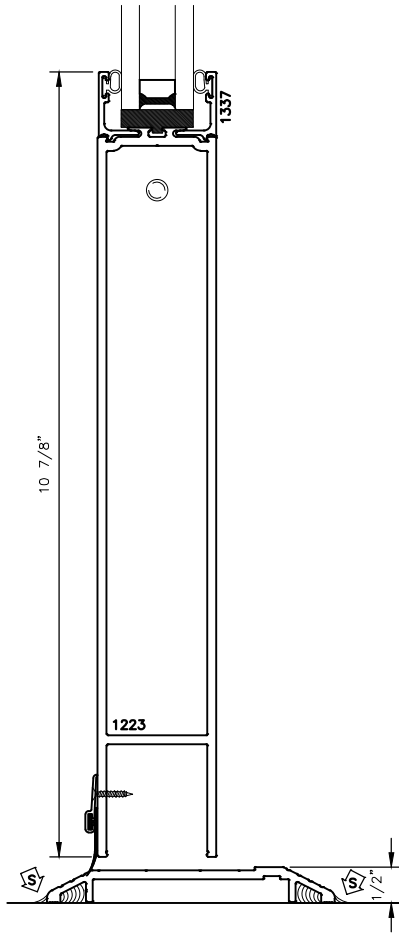




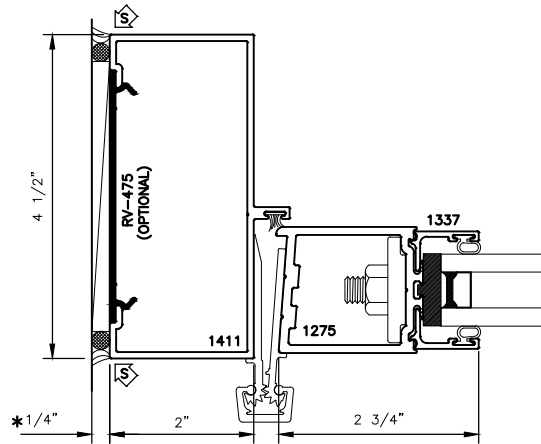
1450

2" X 4 1/2" NON-THERMAL  
STOREFRONT DOOR FRAME  
WITH 100 SERIES (NARROW STILE)  
DOOR STANDARD DETAILS

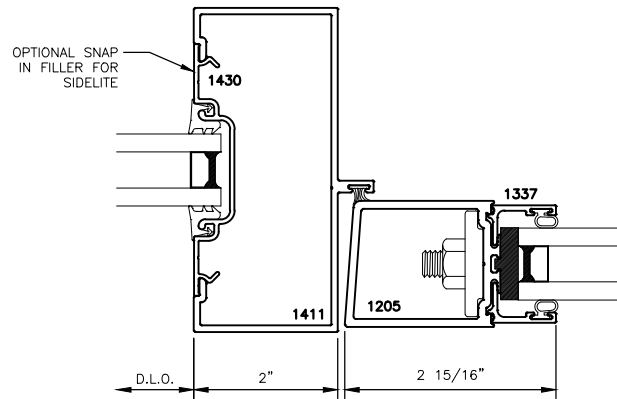
\* MINIMUM RECOMMENDED FOR THERMAL ISOLATION.  
INCREASE AS REQUIRED TO COMPLY WITH SEALANT  
MANUFACTURERS' INSTRUCTIONS



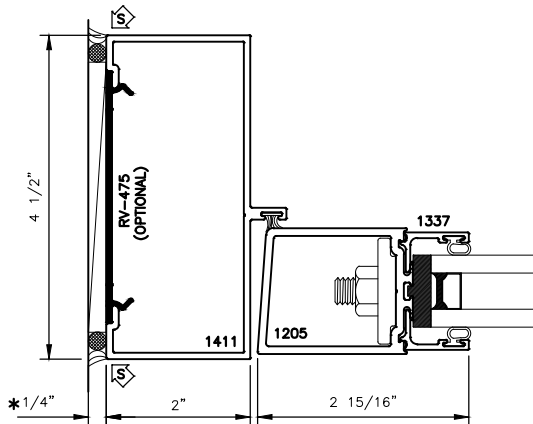
2



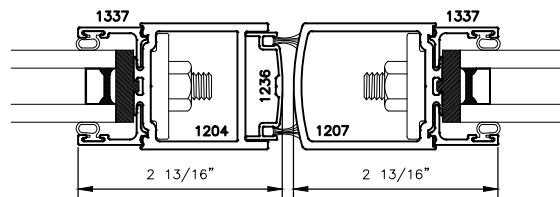
OPT.  
3.1



OPT.  
3.2



3



4

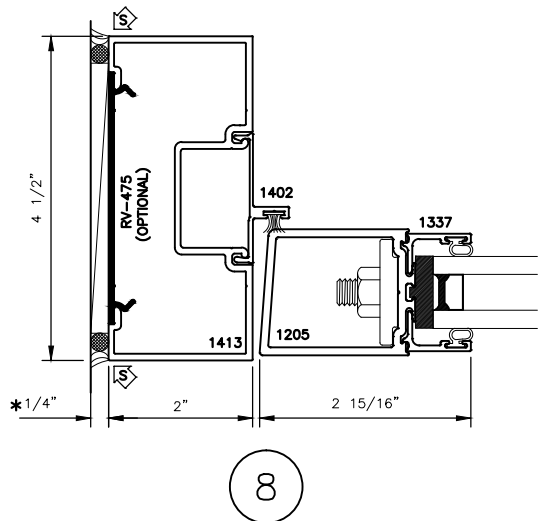
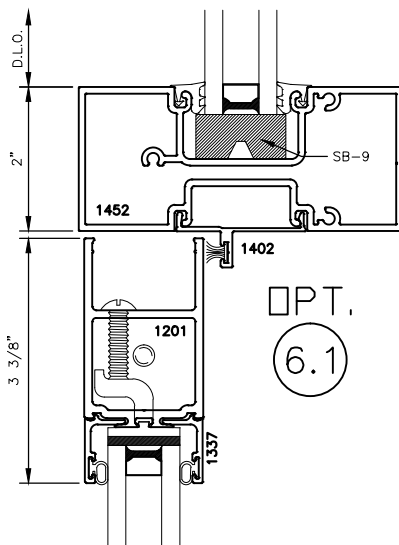
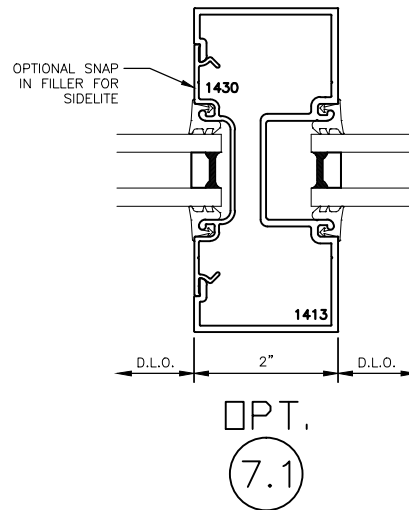
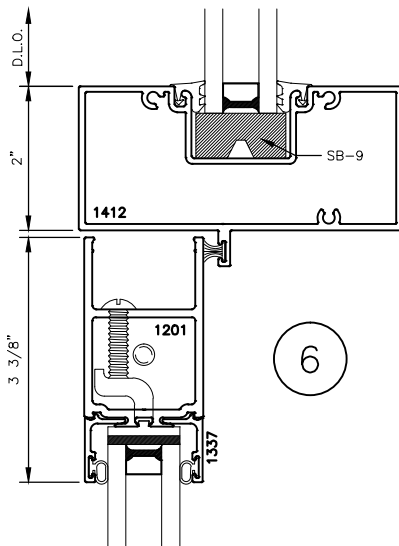
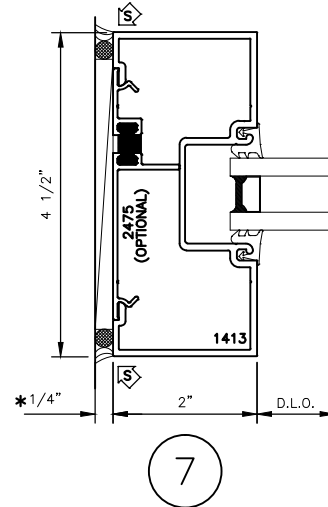
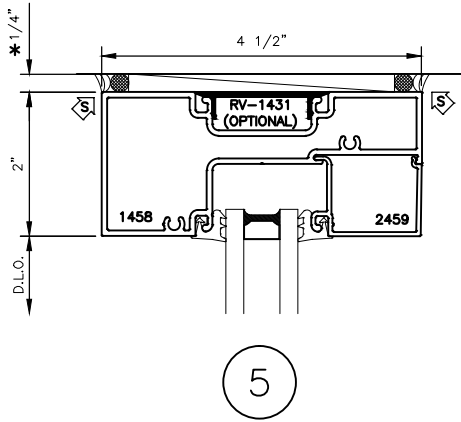
STANDARD SWEEP AND THRESHOLD SHOWN



1450

2" X 4 1/2" NON-THERMAL  
STOREFRONT DOOR FRAME  
WITH 100 SERIES (NARROW STILE)  
DOOR STANDARD DETAILS

\* MINIMUM RECOMMENDED FOR THERMAL ISOLATION.  
INCREASE AS REQUIRED TO COMPLY WITH SEALANT  
MANUFACTURERS' INSTRUCTIONS

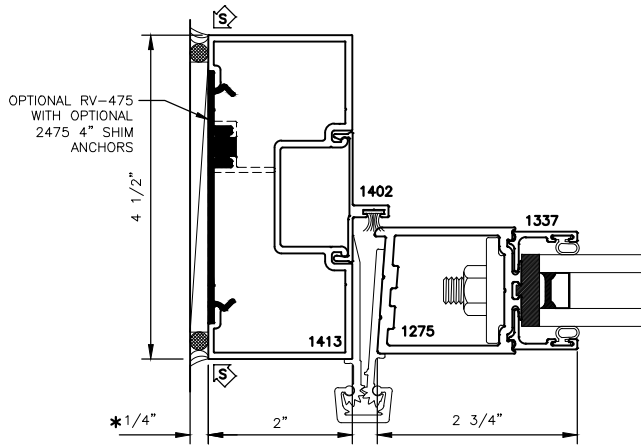




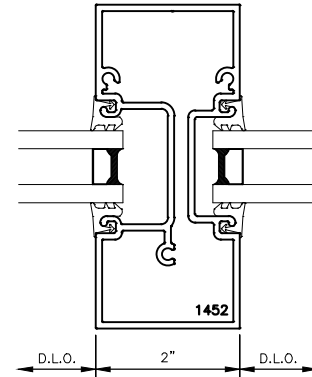
1450

2" X 4 1/2" NON-THERMAL  
STOREFRONT DOOR FRAME  
WITH 100 SERIES (NARROW STILE)  
DOOR STANDARD DETAILS

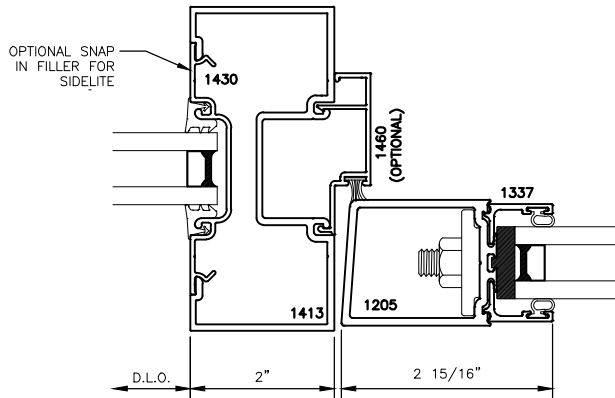
\* MINIMUM RECOMMENDED FOR THERMAL ISOLATION.  
INCREASE AS REQUIRED TO COMPLY WITH SEALANT  
MANUFACTURERS' INSTRUCTIONS



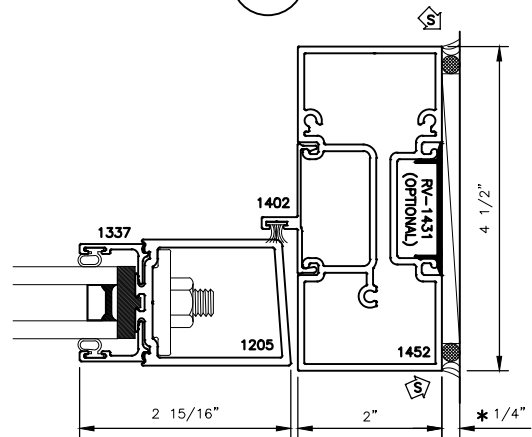
OPT.  
8.1



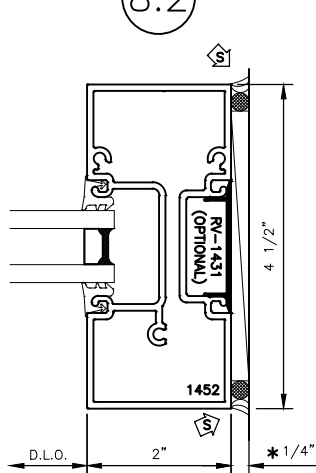
OPT.  
9.1



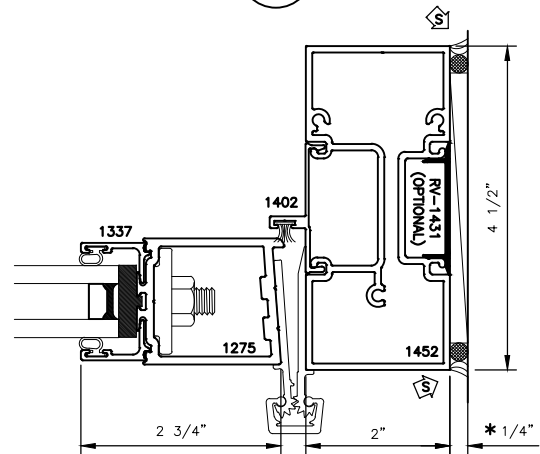
OPT.  
8.2



10



9



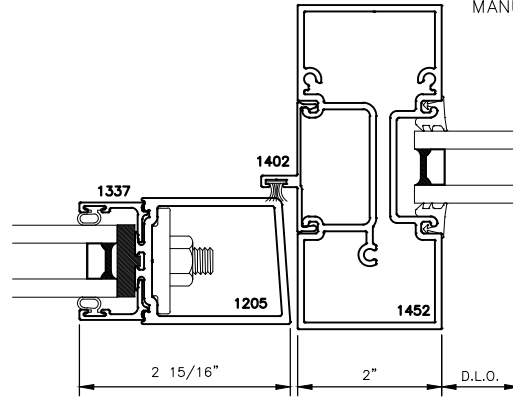
OPT.  
10.1



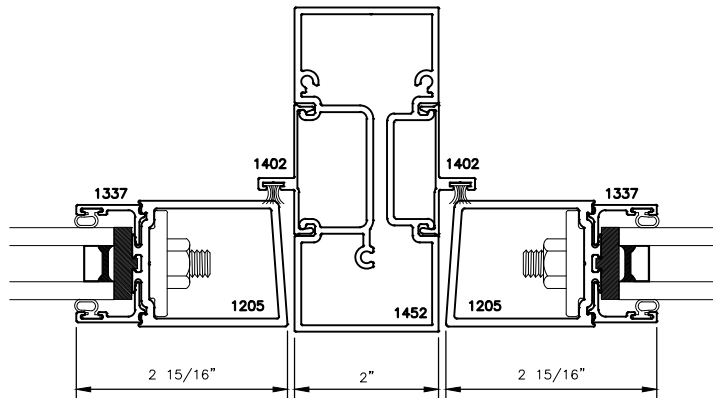
1450

2" X 4 1/2" NON-THERMAL  
STOREFRONT DOOR FRAME  
WITH 100 SERIES (NARROW STILE)  
DOOR STANDARD DETAILS

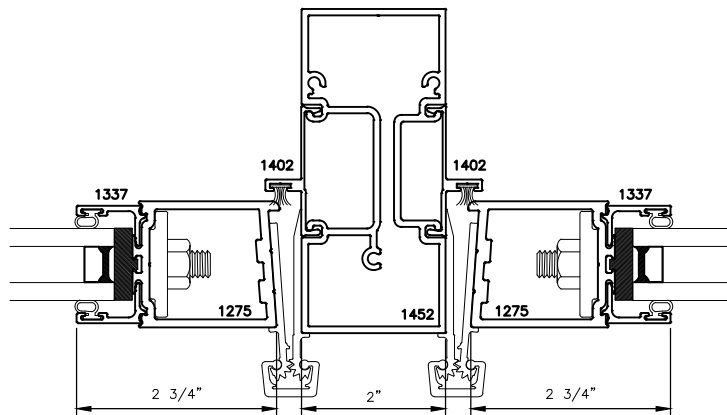
\* MINIMUM RECOMMENDED FOR THERMAL ISOLATION.  
INCREASE AS REQUIRED TO COMPLY WITH SEALANT  
MANUFACTURERS' INSTRUCTIONS



OPT.  
10.2



11



OPT.  
11.1