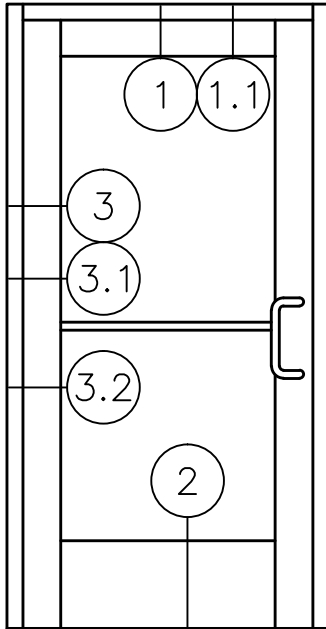


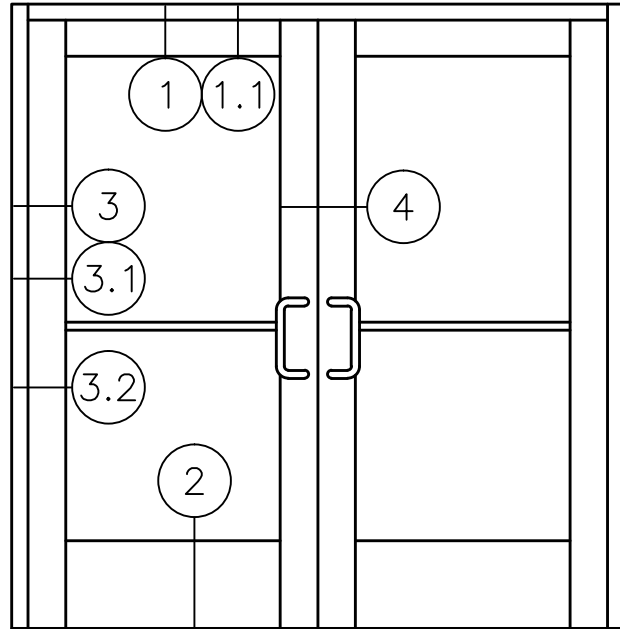


1450

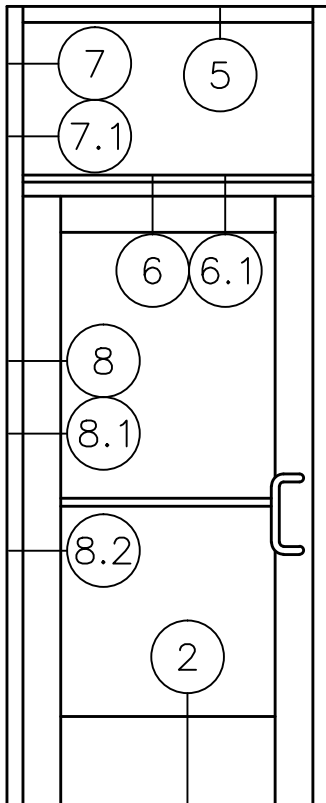
2" X 4 1/2" STOREFRONT DOOR FRAMING  
WITH 135 SERIES (MEDIUM STILE)  
DOOR DETAILS - OFFSET ARM &  
CONCEALED OVERHEAD CLOSER



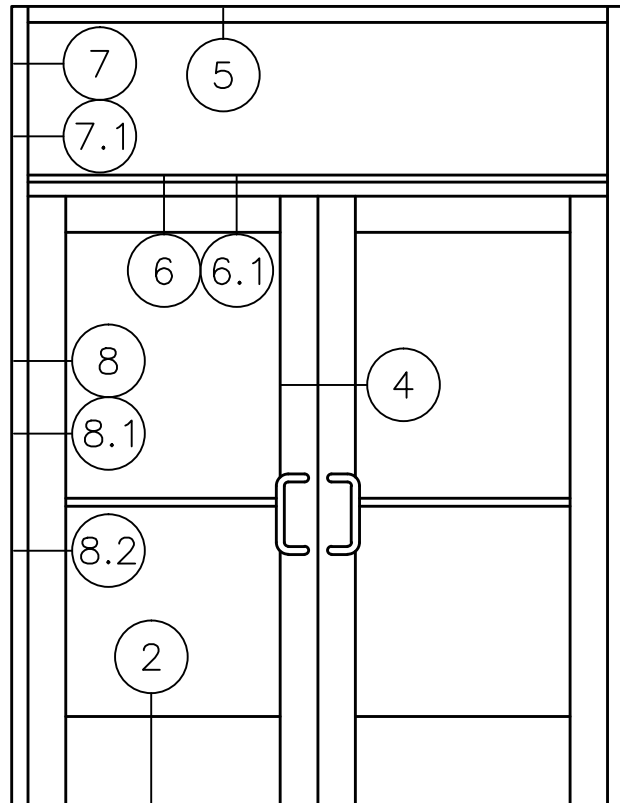
SINGLE DOOR  
WITHOUT TRANSOM  
STANDARD CONFIGURATION



PAIR DOORS  
WITHOUT TRANSOM  
STANDARD CONFIGURATION



SINGLE DOOR  
WITH TRANSOM  
STANDARD CONFIGURATION

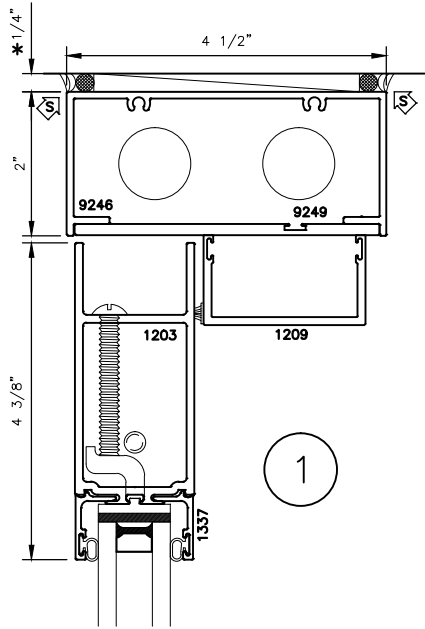


PAIR DOORS  
WITH TRANSOM  
STANDARD CONFIGURATION

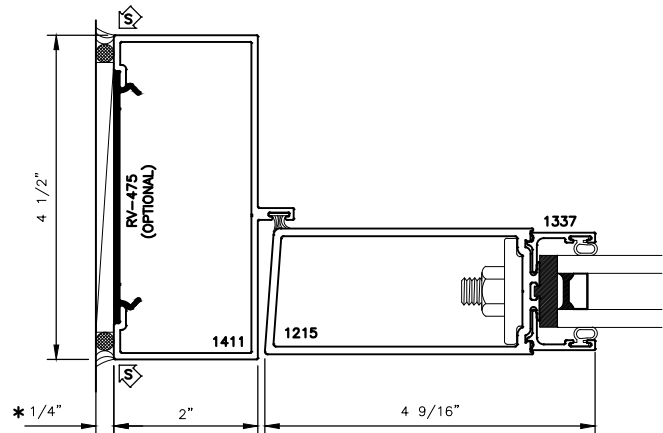
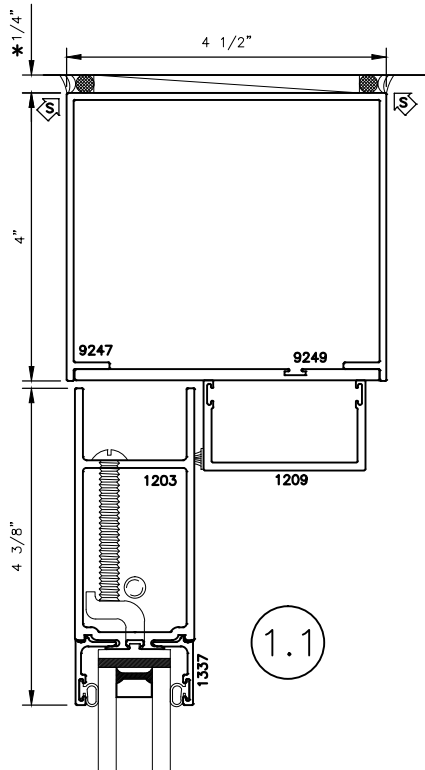
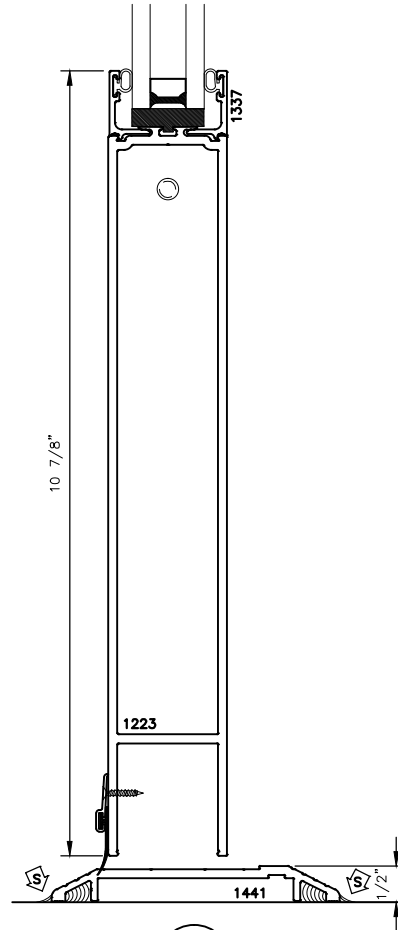


1450

# 2" X 4 1/2" STOREFRONT DOOR FRAMING WITH 135 SERIES (MEDIUM STILE) DOOR DETAILS - OFFSET ARM & CONCEALED OVERHEAD CLOSER



\* MINIMUM RECOMMENDED FOR THERMAL ISOLATION.  
INCREASE AS REQUIRED TO COMPLY WITH SEALANT  
MANUFACTURERS' INSTRUCTIONS



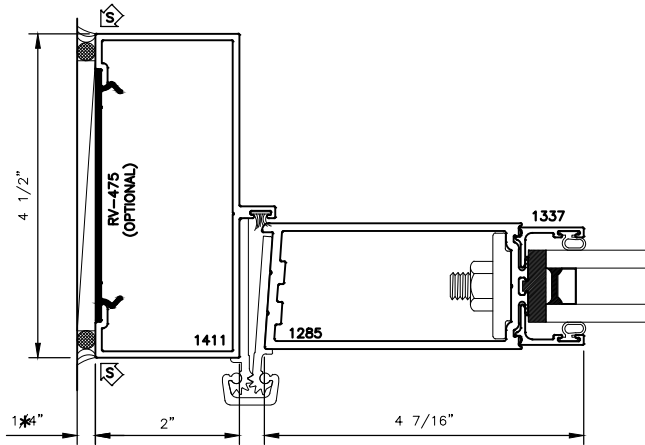
STANDARD SWEEP AND THRESHOLD SHOWN



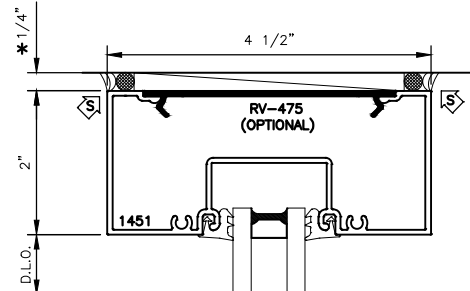
1450

2" X 4 1/2" STOREFRONT DOOR FRAMING  
WITH 135 SERIES (MEDIUM STILE)  
DOOR DETAILS - OFFSET ARM &  
CONCEALED OVERHEAD CLOSER

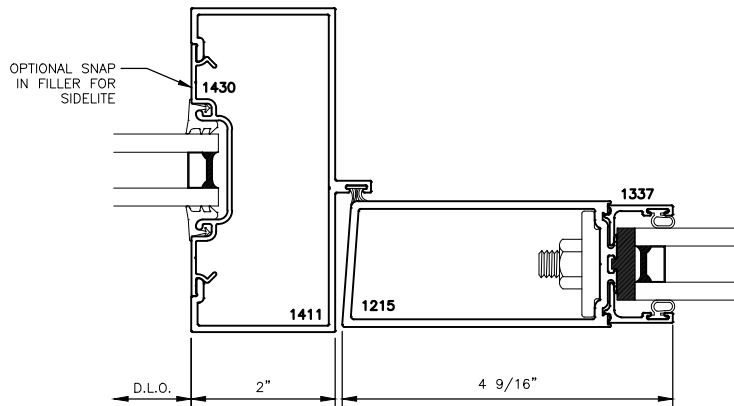
\* MINIMUM RECOMMENDED FOR THERMAL ISOLATION.  
INCREASE AS REQUIRED TO COMPLY WITH SEALANT  
MANUFACTURERS' INSTRUCTIONS



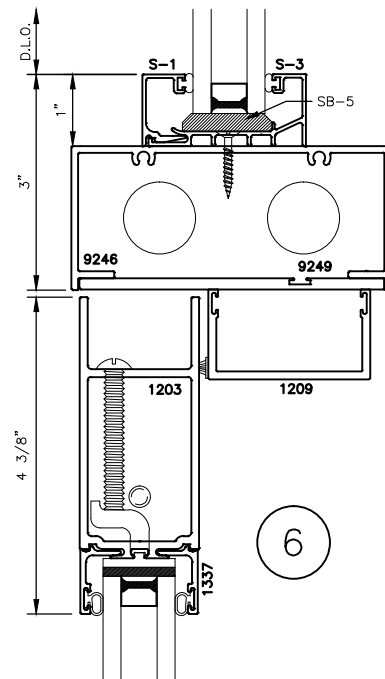
OPT.  
3.1



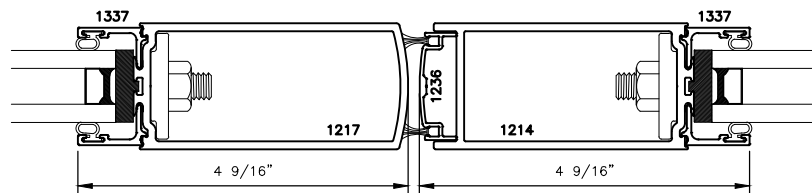
5



OPT.  
3.2



6



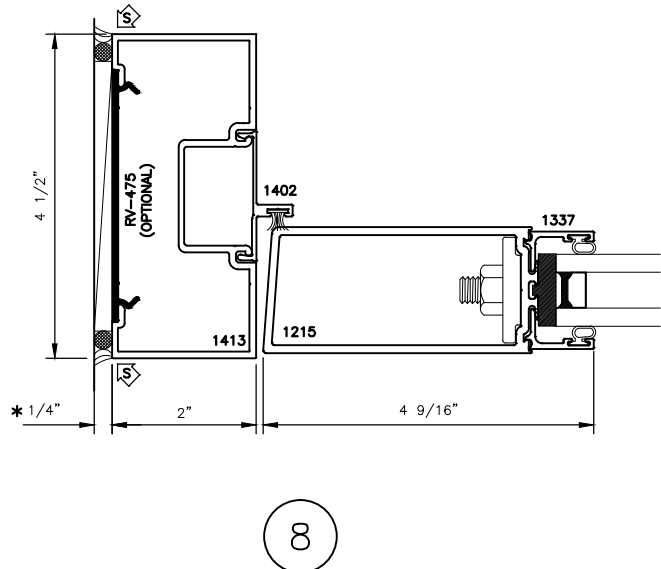
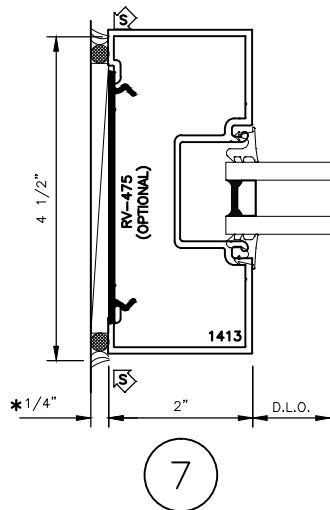
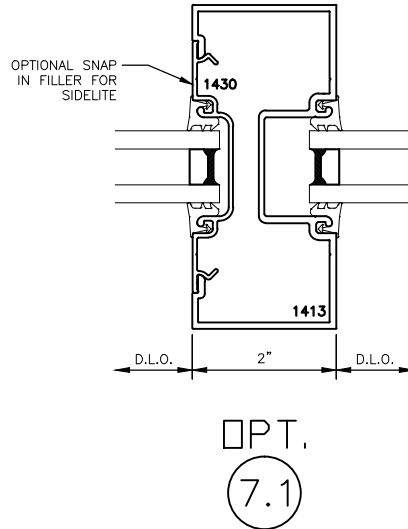
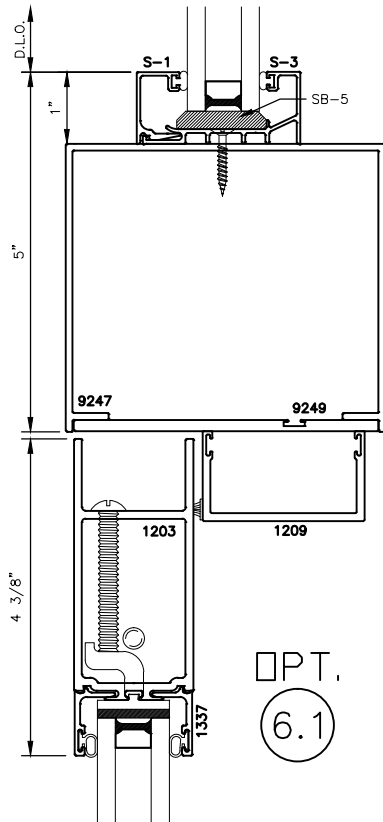
4



1450

2" X 4 1/2" STOREFRONT DOOR FRAMING  
 WITH 135 SERIES (MEDIUM STILE)  
 DOOR DETAILS - OFFSET ARM &  
 CONCEALED OVERHEAD CLOSER

\* MINIMUM RECOMMENDED FOR THERMAL ISOLATION.  
 INCREASE AS REQUIRED TO COMPLY WITH SEALANT  
 MANUFACTURERS' INSTRUCTIONS

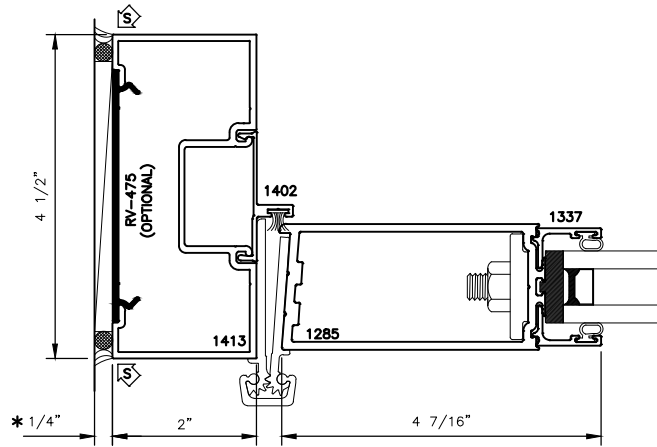




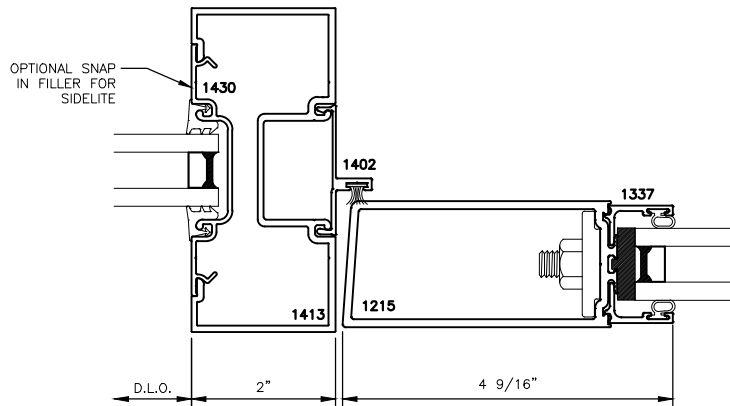
1450

# 2" X 4 1/2" STOREFRONT DOOR FRAMING WITH 135 SERIES (MEDIUM STILE) DOOR DETAILS - OFFSET ARM & CONCEALED OVERHEAD CLOSER

\* MINIMUM RECOMMENDED FOR THERMAL ISOLATION.  
INCREASE AS REQUIRED TO COMPLY WITH SEALANT  
MANUFACTURERS' INSTRUCTIONS



OPT,  
8.1



OPT,  
8.2