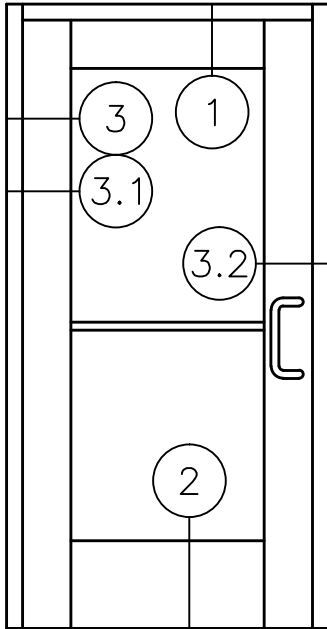


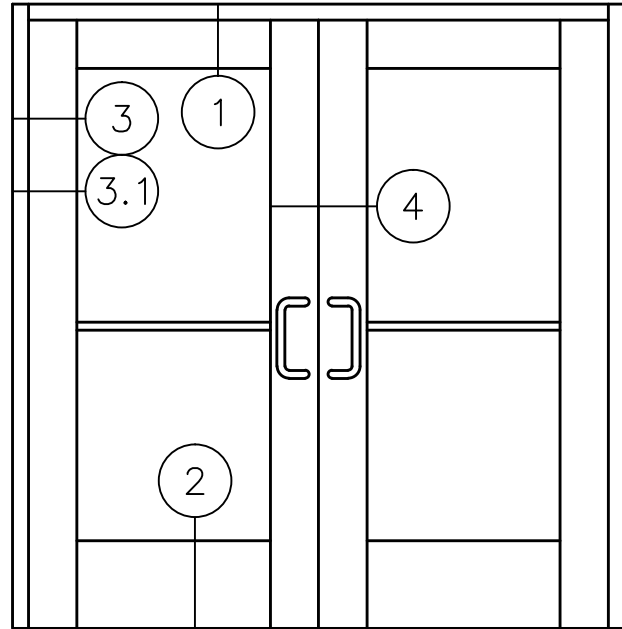


**2450CG
XPT**

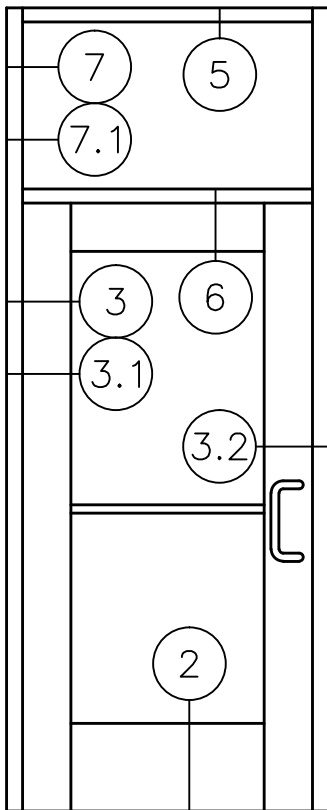
**2" X 4 1/2" DOUBLE THERMALLY
BROKEN STOREFRONT DOOR FRAME
WITH 150i SERIES (WIDE STILE)
DOOR STANDARD DETAILS**



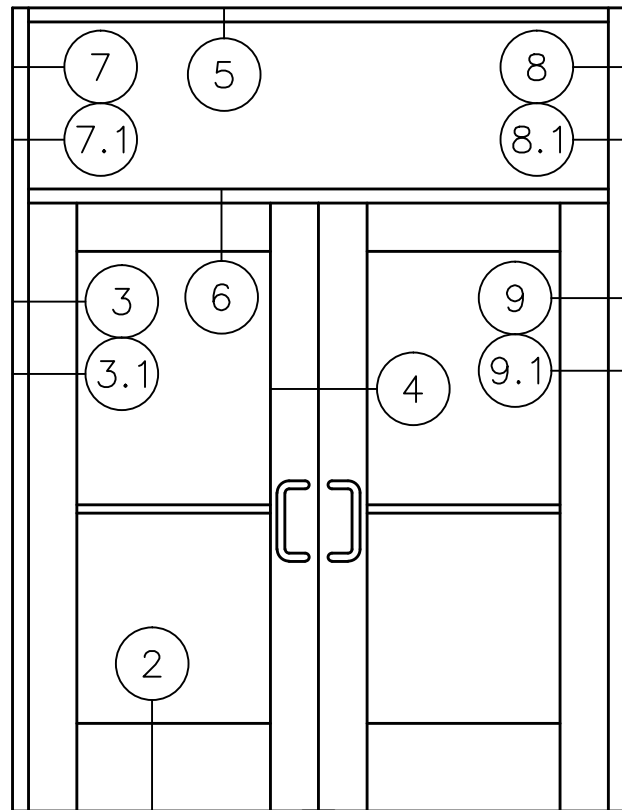
SINGLE DOOR
WITHOUT TRANSOM
STANDARD CONFIGURATION



PAIR DOORS
WITHOUT TRANSOM
STANDARD CONFIGURATION



SINGLE DOOR
WITH TRANSOM
STANDARD CONFIGURATION



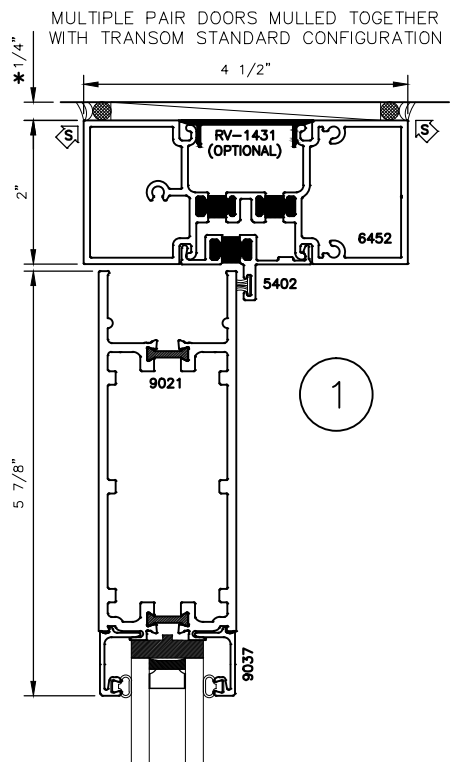
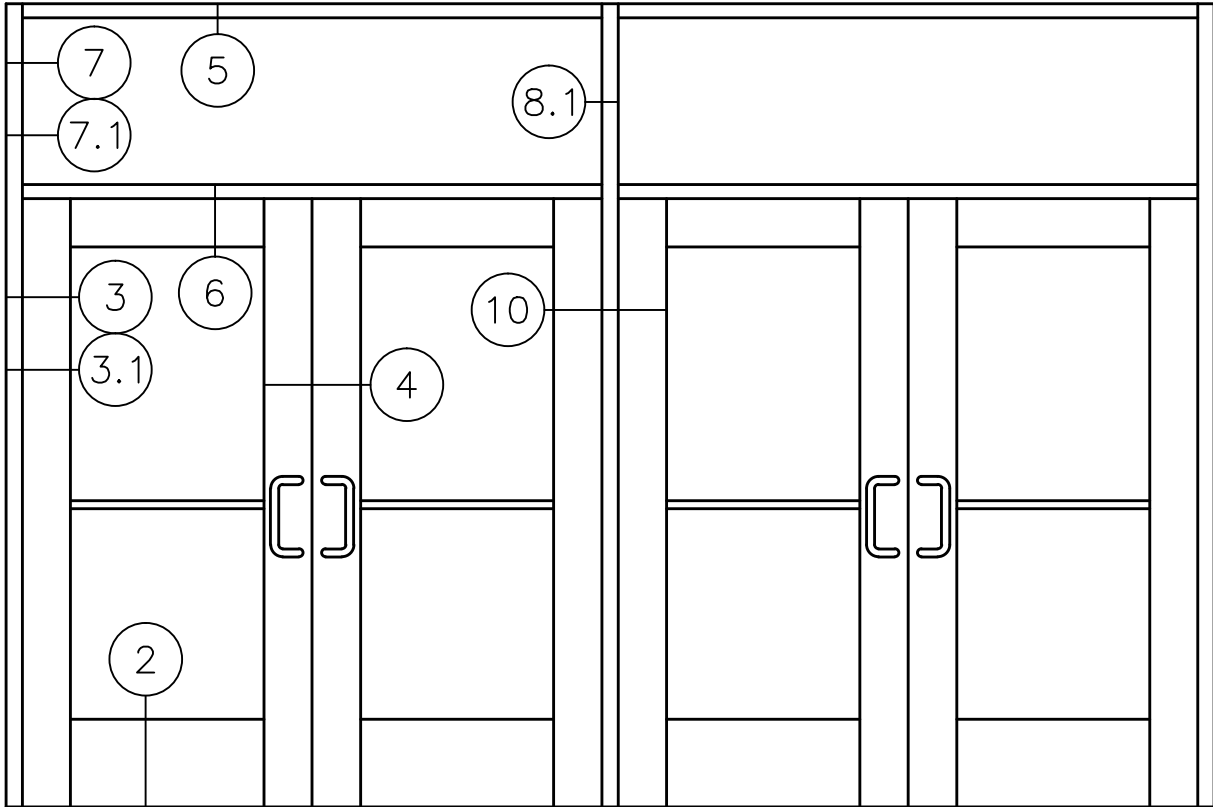
PAIR DOORS
WITH TRANSOM
STANDARD CONFIGURATION



2450CG XPT

2" X 4 1/2" DOUBLE THERMALLY BROKEN STOREFRONT DOOR FRAME WITH 150i SERIES (WIDE STILE) DOOR STANDARD DETAILS

* MINIMUM RECOMMENDED FOR THERMAL ISOLATION.
INCREASE AS REQUIRED TO COMPLY WITH SEALANT
MANUFACTURERS' INSTRUCTIONS

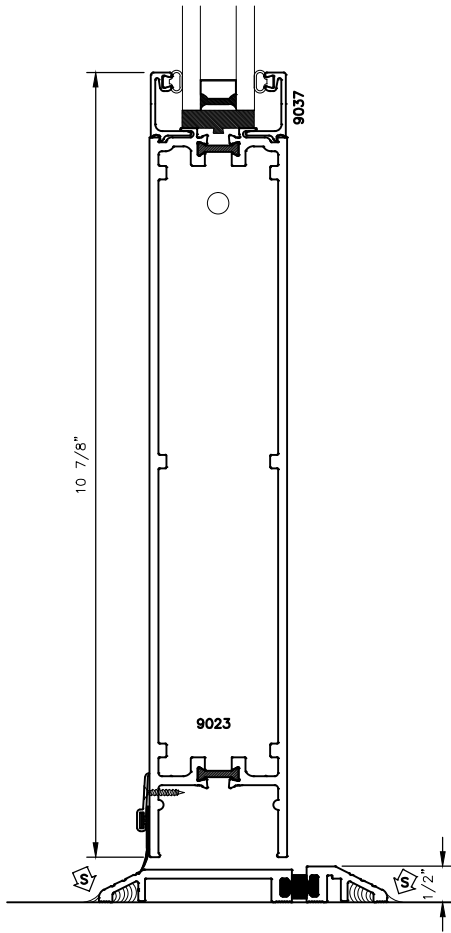




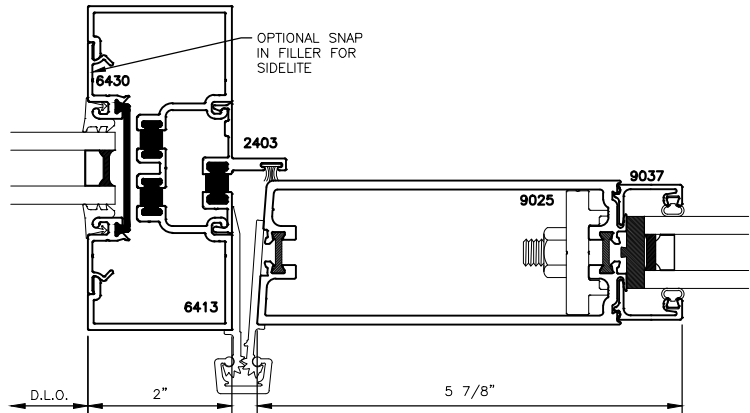
2450CG XPT

2" X 4 1/2" DOUBLE THERMALLY BROKEN STOREFRONT DOOR FRAME WITH 150i SERIES (WIDE STILE) DOOR STANDARD DETAILS

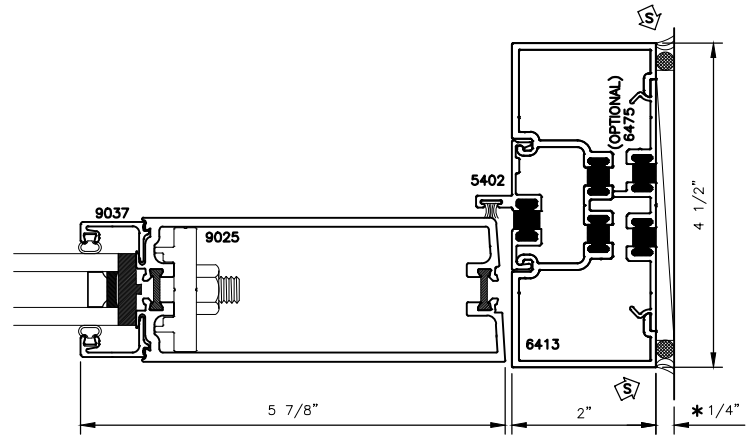
MINIMUM RECOMMENDED FOR THERMAL ISOLATION.
INCREASE AS REQUIRED TO COMPLY WITH SEALANT
MANUFACTURERS' INSTRUCTIONS



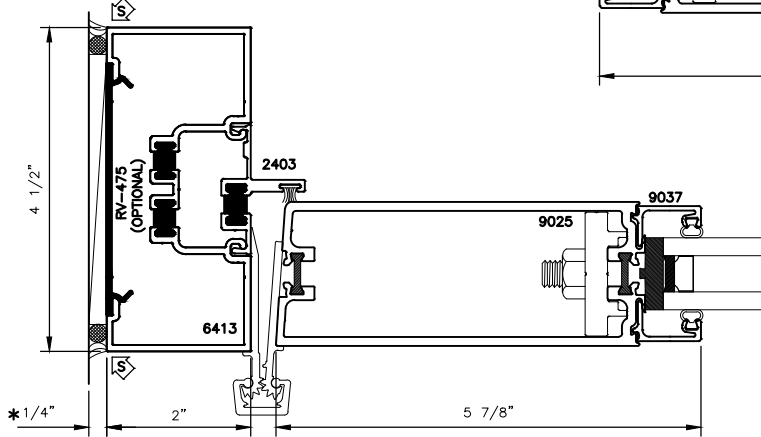
2



OPT.
3.1



OPT.
3.2



3

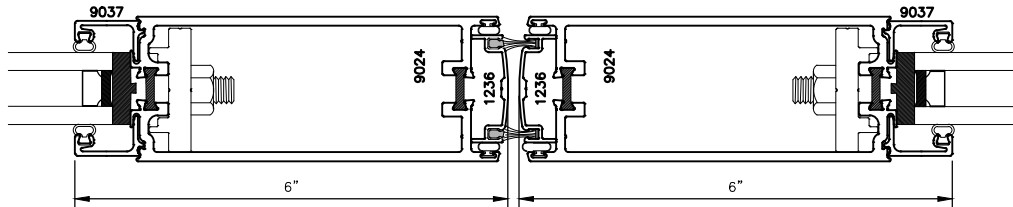
STANDARD SWEEP AND THRESHOLD SHOWN



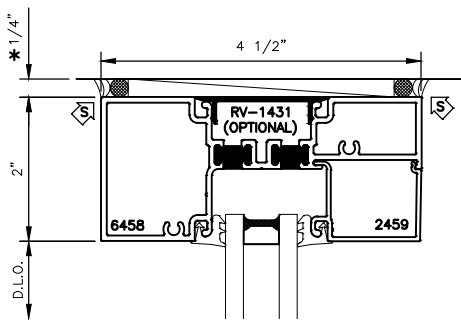
2450CG XPT

2" X 4 1/2" DOUBLE THERMALLY BROKEN STOREFRONT DOOR FRAME WITH 150i SERIES (WIDE STILE) DOOR STANDARD DETAILS

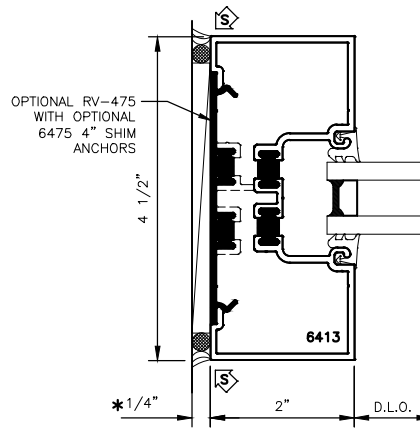
* MINIMUM RECOMMENDED FOR THERMAL ISOLATION.
INCREASE AS REQUIRED TO COMPLY WITH SEALANT
MANUFACTURERS' INSTRUCTIONS



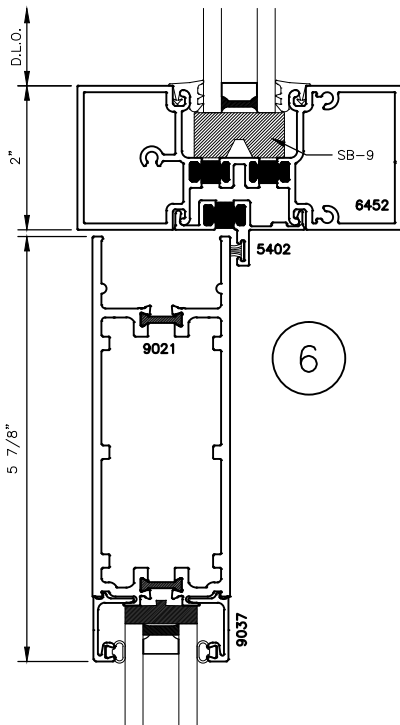
4



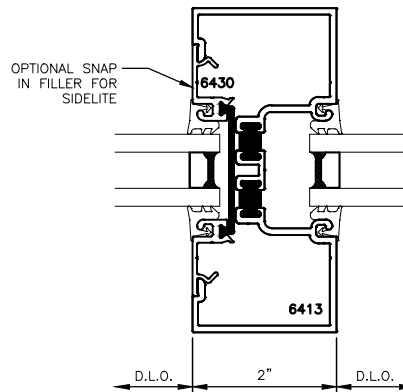
5



7



6



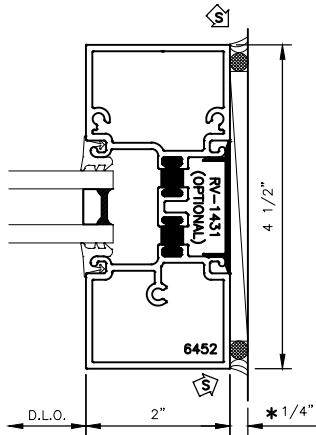
OPT.
7.1



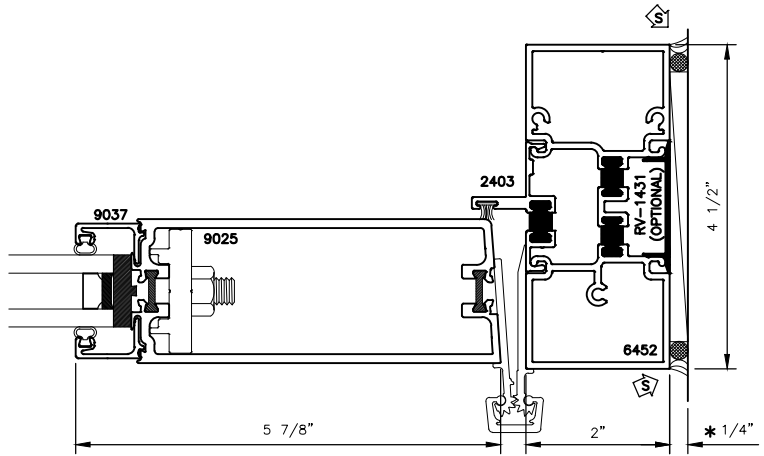
2450CG XPT

2" X 4 1/2" DOUBLE THERMALLY BROKEN STOREFRONT DOOR FRAME WITH 150i SERIES (WIDE STILE) DOOR STANDARD DETAILS

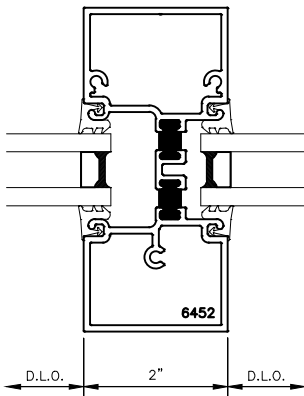
* MINIMUM RECOMMENDED FOR THERMAL ISOLATION.
INCREASE AS REQUIRED TO COMPLY WITH SEALANT
MANUFACTURERS' INSTRUCTIONS



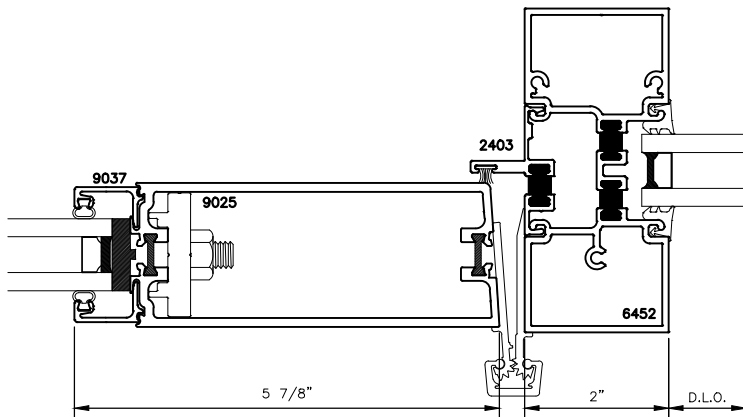
8



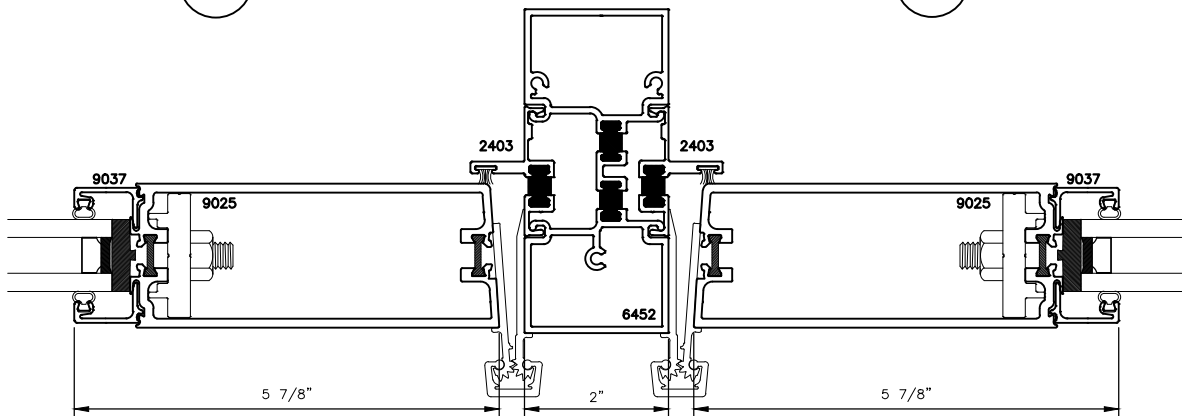
9



OPT.
8.1



OPT.
9.1



10