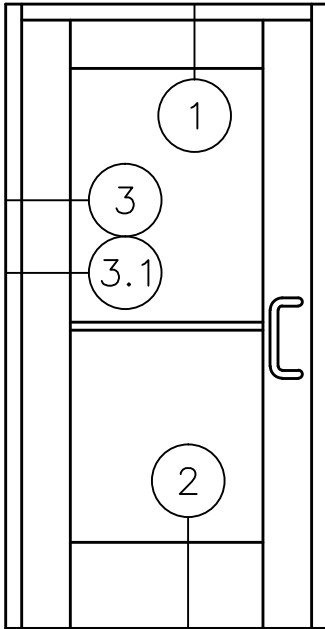
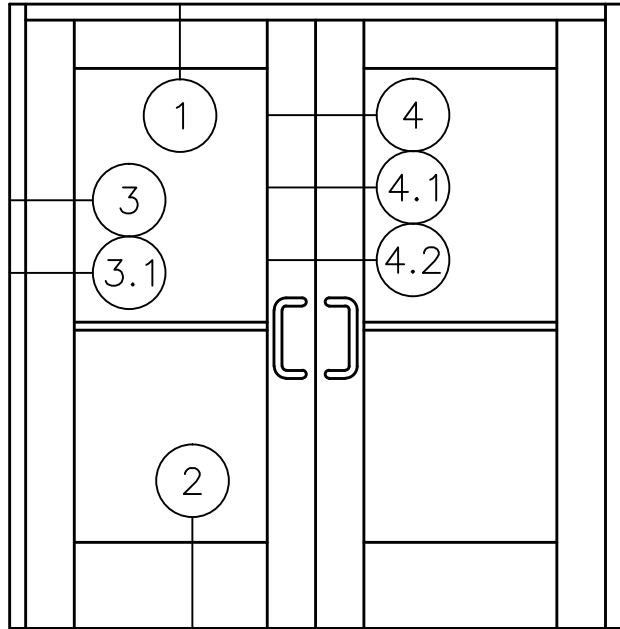




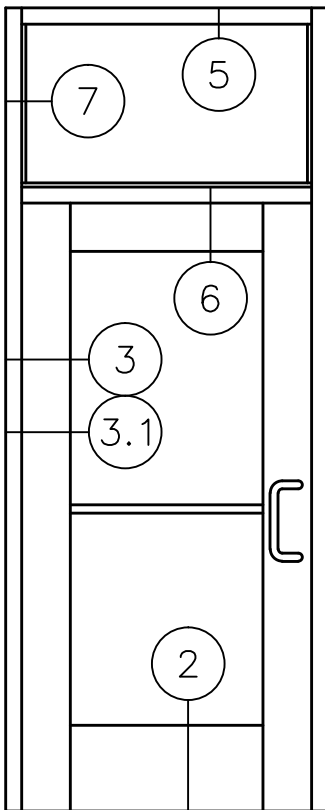
**2" X 4 1/2" THERMALLY BROKEN  
STOREFRONT DOOR FRAME  
WITH 150XPT SERIES (WIDE STILE)  
DOOR STANDARD DETAILS**



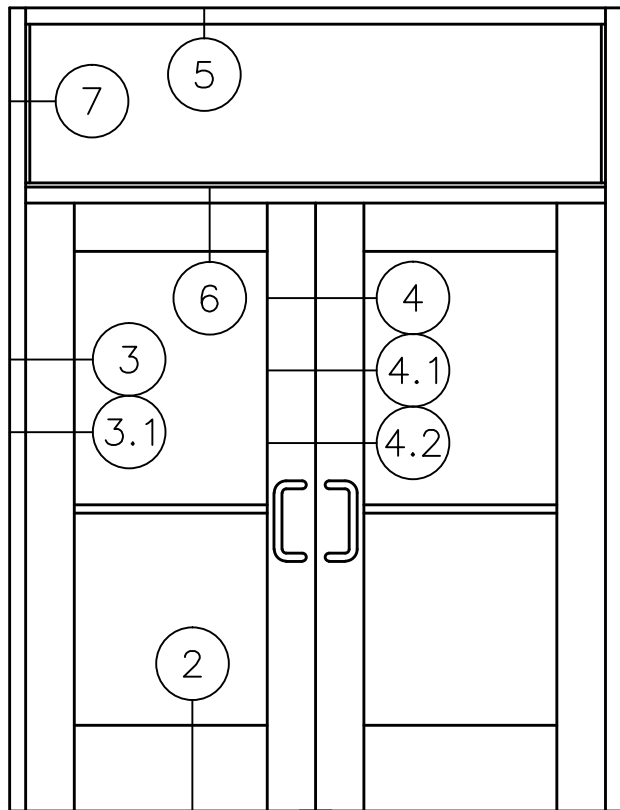
SINGLE DOOR  
WITHOUT TRANSOM  
STANDARD CONFIGURATION



PAIR DOORS  
WITHOUT TRANSOM  
STANDARD CONFIGURATION



SINGLE DOOR  
WITH TRANSOM  
STANDARD CONFIGURATION

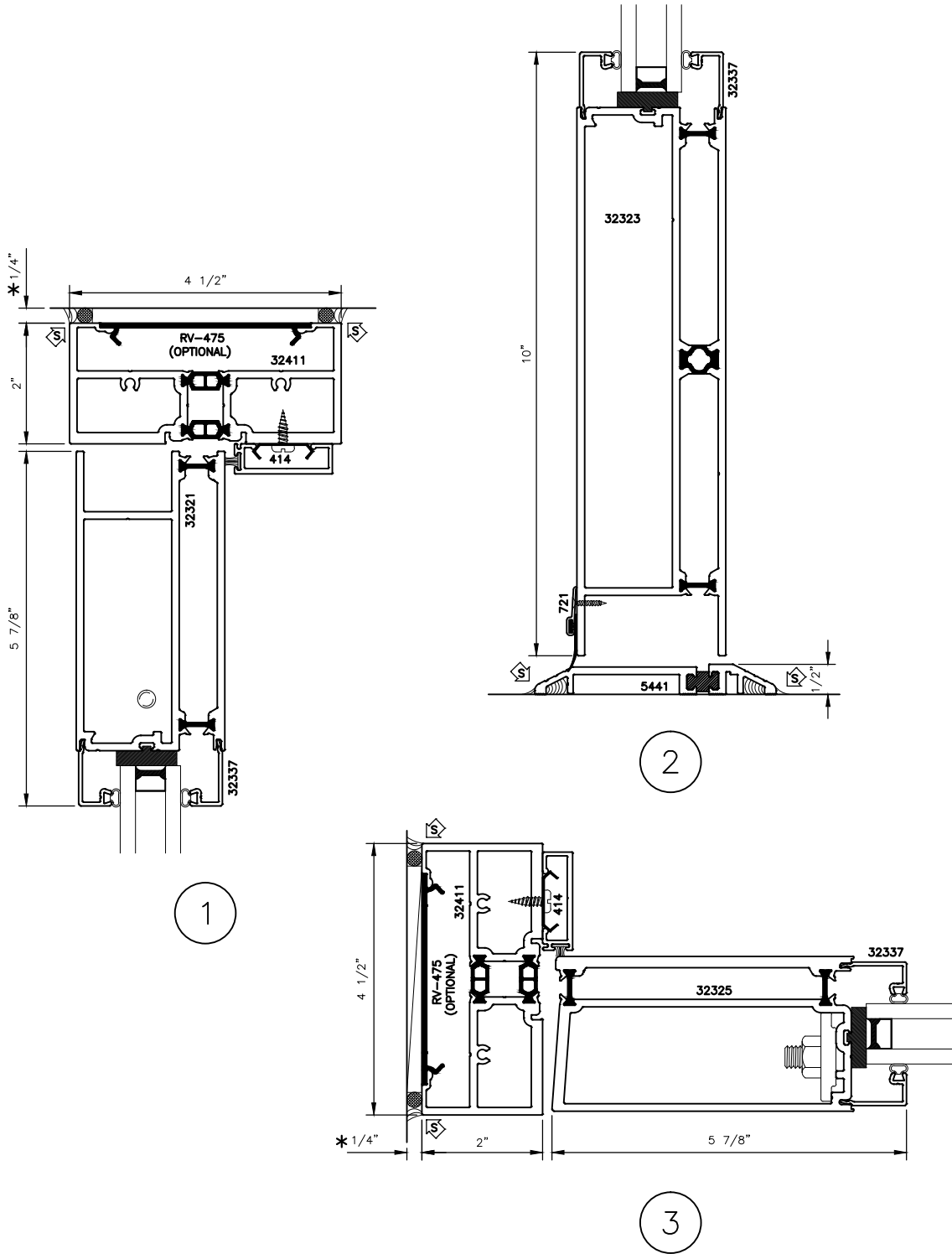


PAIR DOORS  
WITH TRANSOM  
STANDARD CONFIGURATION



# 2" X 4 1/2" THERMALLY BROKEN STOREFRONT DOOR FRAME WITH 150XPT SERIES (WIDE STILE) DOOR STANDARD DETAILS

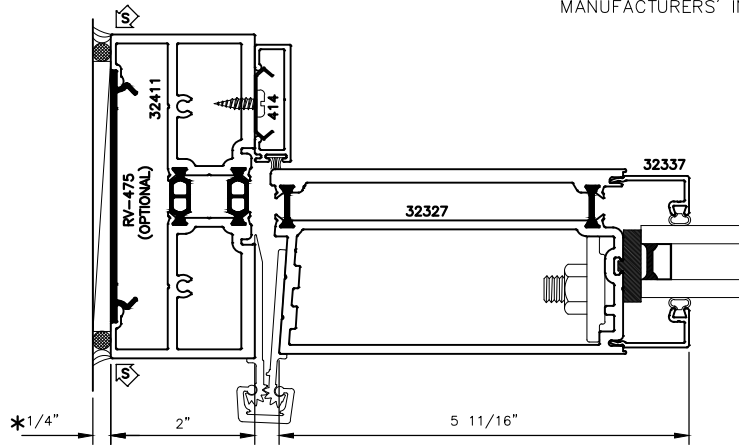
\* MINIMUM RECOMMENDED FOR THERMAL ISOLATION.  
INCREASE AS REQUIRED TO COMPLY WITH SEALANT  
MANUFACTURERS' INSTRUCTIONS



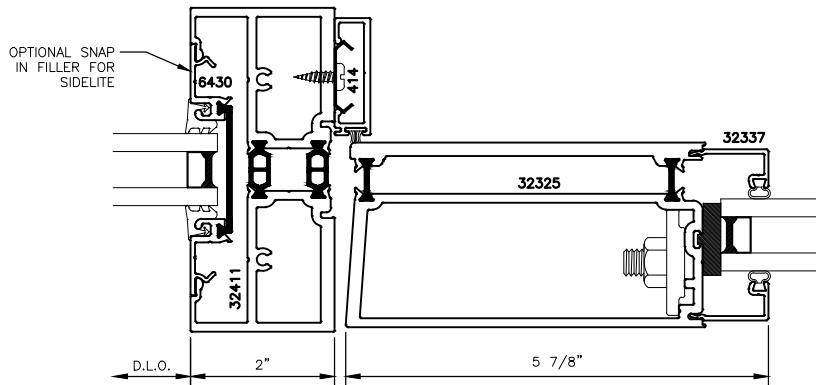


# 2" X 4 1/2" THERMALLY BROKEN STOREFRONT DOOR FRAME WITH 150XPT SERIES (WIDE STILE) DOOR STANDARD DETAILS

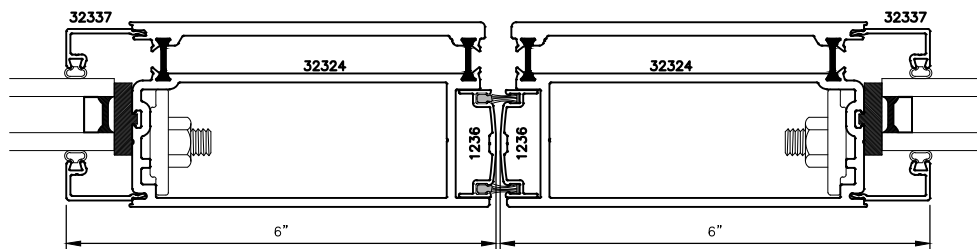
\* MINIMUM RECOMMENDED FOR THERMAL ISOLATION.  
INCREASE AS REQUIRED TO COMPLY WITH SEALANT  
MANUFACTURERS' INSTRUCTIONS



OPT.  
3.1



3

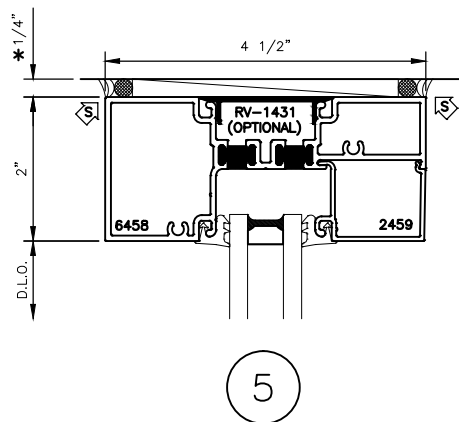
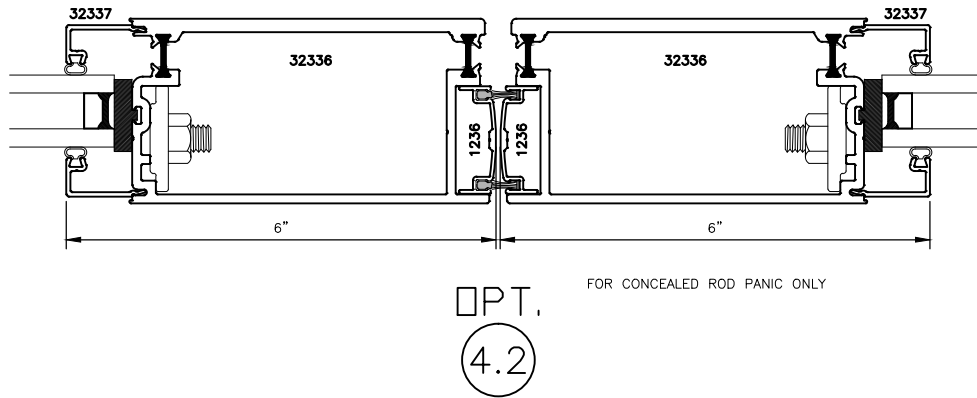
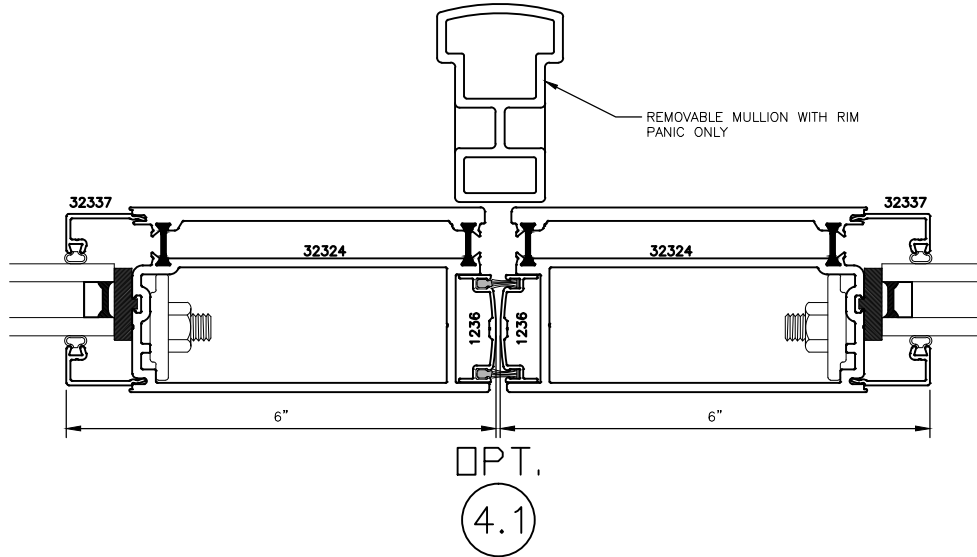


4



# 2" X 4 1/2" THERMALLY BROKEN STOREFRONT DOOR FRAME WITH 150XPT SERIES (WIDE STILE) DOOR STANDARD DETAILS

\* MINIMUM RECOMMENDED FOR THERMAL ISOLATION.  
INCREASE AS REQUIRED TO COMPLY WITH SEALANT  
MANUFACTURERS' INSTRUCTIONS





# 2" X 4 1/2" THERMALLY BROKEN STOREFRONT DOOR FRAME WITH 150XPT SERIES (WIDE STILE) DOOR STANDARD DETAILS

\* MINIMUM RECOMMENDED FOR THERMAL ISOLATION.  
INCREASE AS REQUIRED TO COMPLY WITH SEALANT  
MANUFACTURERS' INSTRUCTIONS

