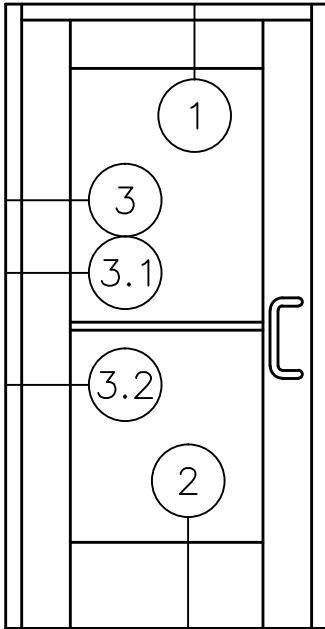
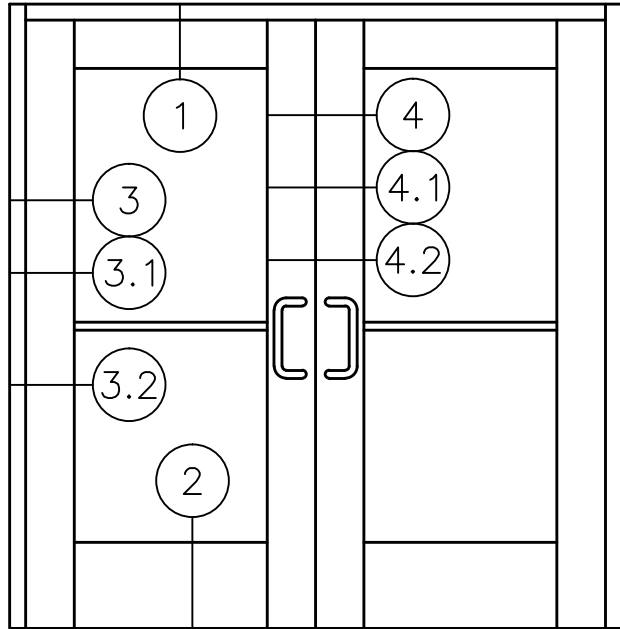




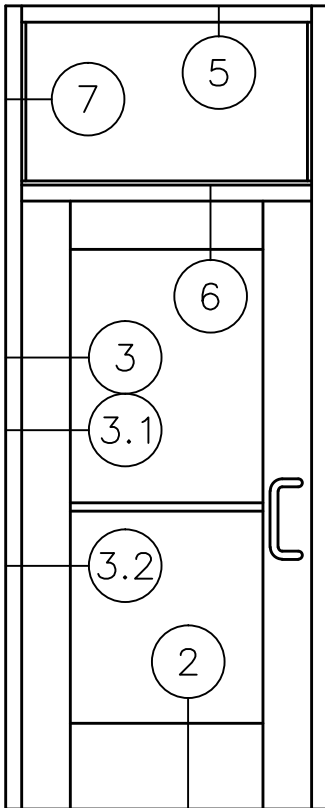
**2" X 6" THERMALLY BROKEN
STOREFRONT DOOR FRAME
WITH 150XPT SERIES (WIDE STILE)
DOOR STANDARD DETAILS**



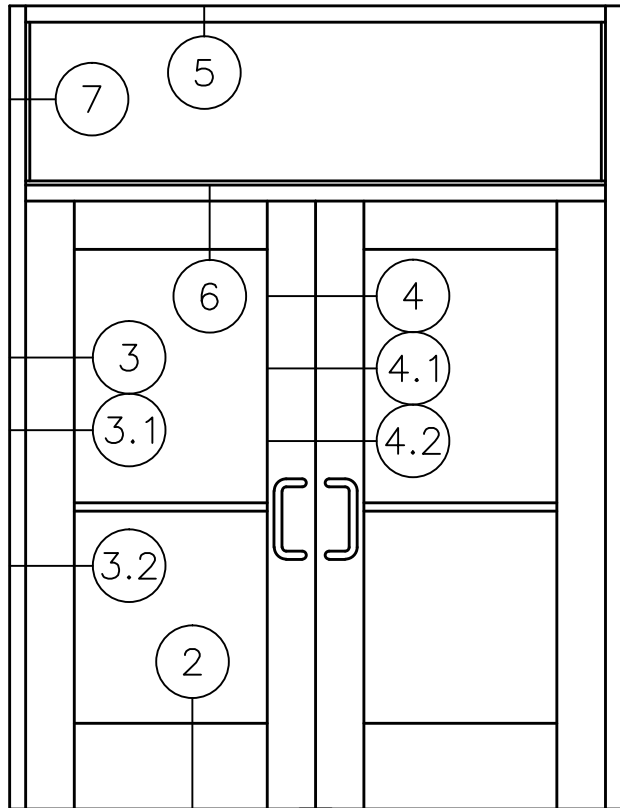
SINGLE DOOR
WITHOUT TRANSOM
STANDARD CONFIGURATION



PAIR DOORS
WITHOUT TRANSOM
STANDARD CONFIGURATION



SINGLE DOOR
WITH TRANSOM
STANDARD CONFIGURATION

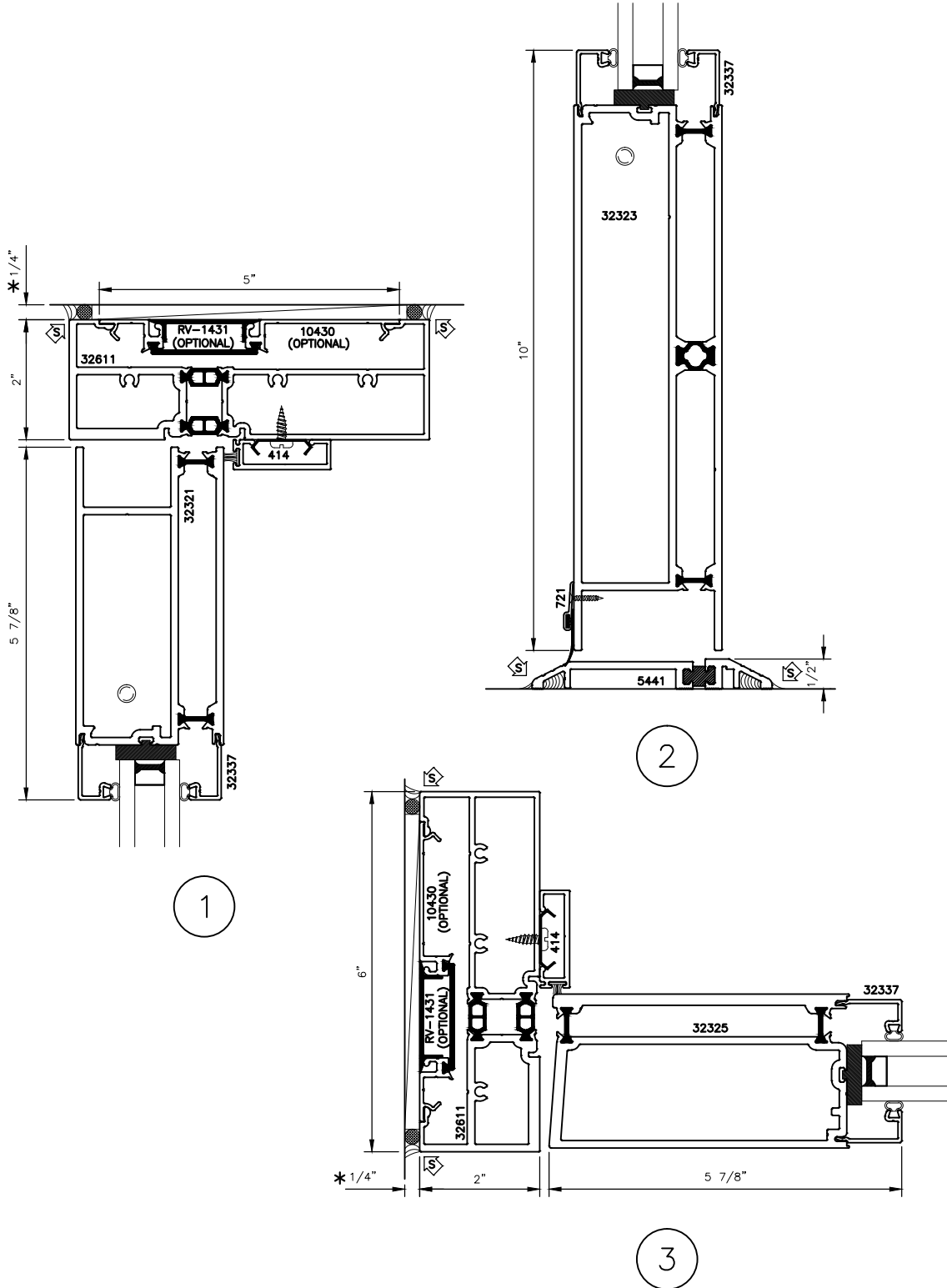


PAIR DOORS
WITH TRANSOM
STANDARD CONFIGURATION



2" X 6" THERMALLY BROKEN STOREFRONT DOOR FRAME WITH 150XPT SERIES (WIDE STILE) DOOR STANDARD DETAILS

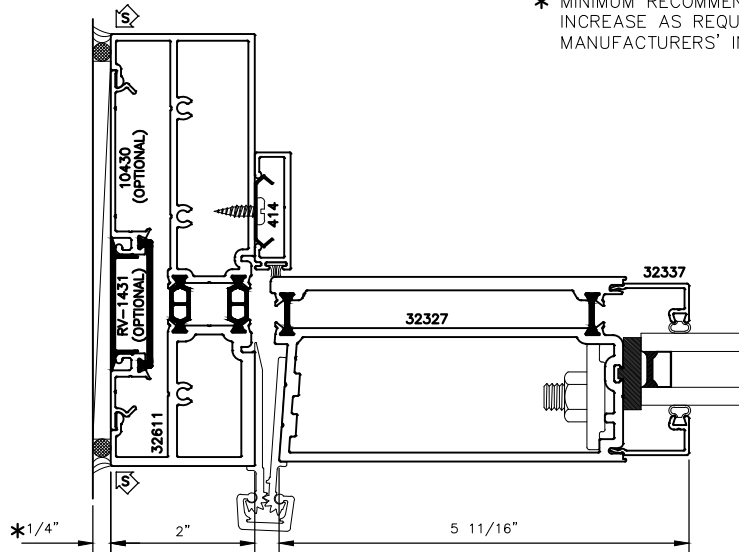
* MINIMUM RECOMMENDED FOR THERMAL ISOLATION.
INCREASE AS REQUIRED TO COMPLY WITH SEALANT
MANUFACTURERS' INSTRUCTIONS



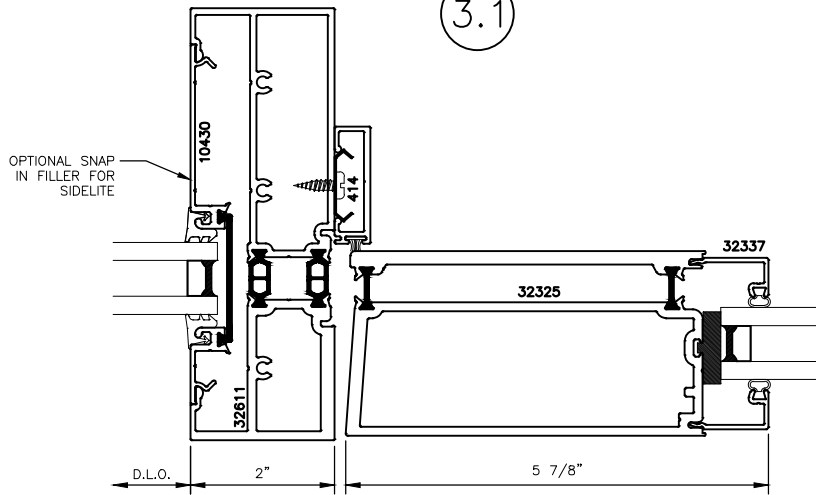


2" X 6" THERMALLY BROKEN STOREFRONT DOOR FRAME WITH 150XPT SERIES (WIDE STILE) DOOR STANDARD DETAILS

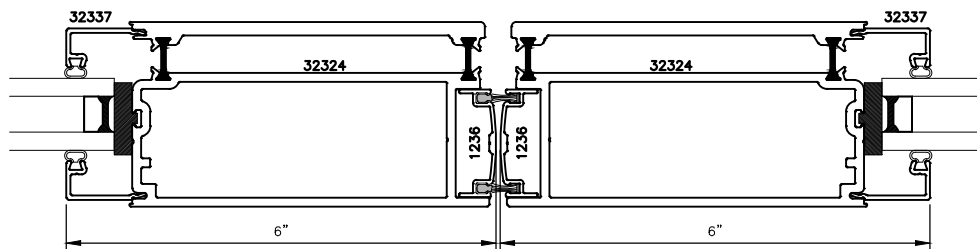
* MINIMUM RECOMMENDED FOR THERMAL ISOLATION.
INCREASE AS REQUIRED TO COMPLY WITH SEALANT
MANUFACTURERS' INSTRUCTIONS



OPT.
3.1



3.2

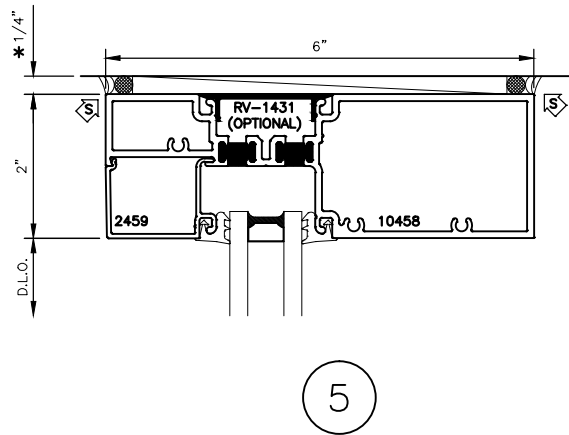
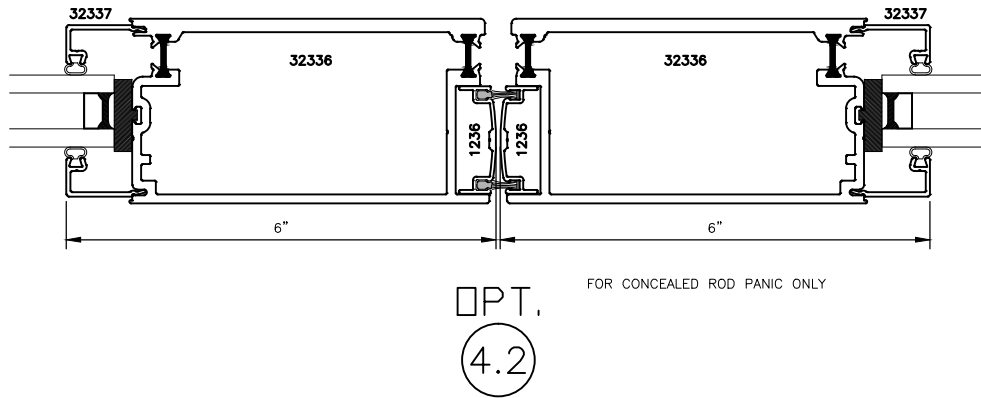
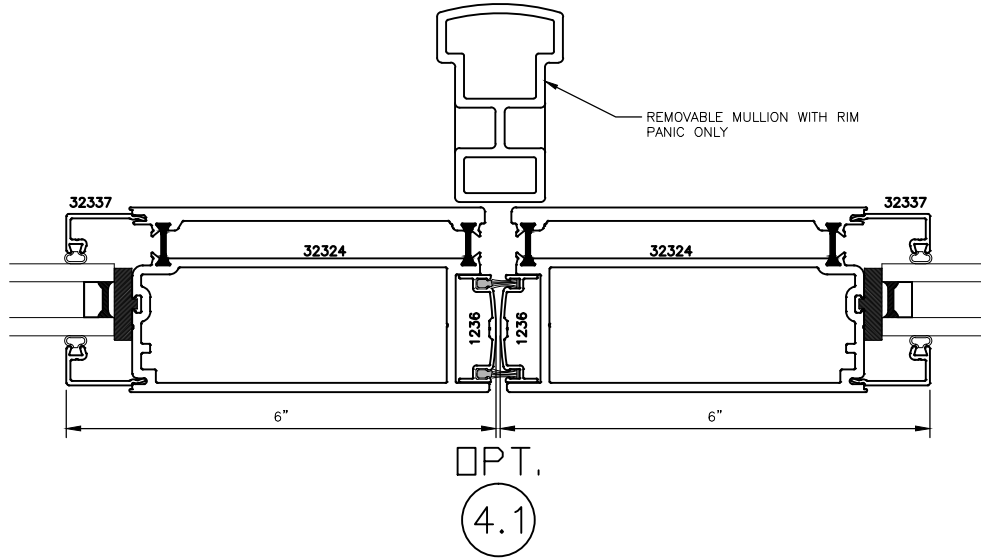


4



2" X 6" THERMALLY BROKEN STOREFRONT DOOR FRAME WITH 150XPT SERIES (WIDE STILE) DOOR STANDARD DETAILS

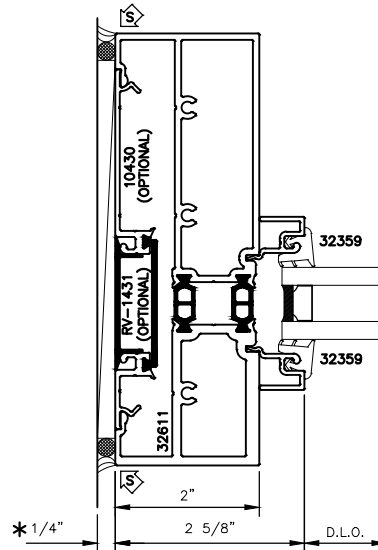
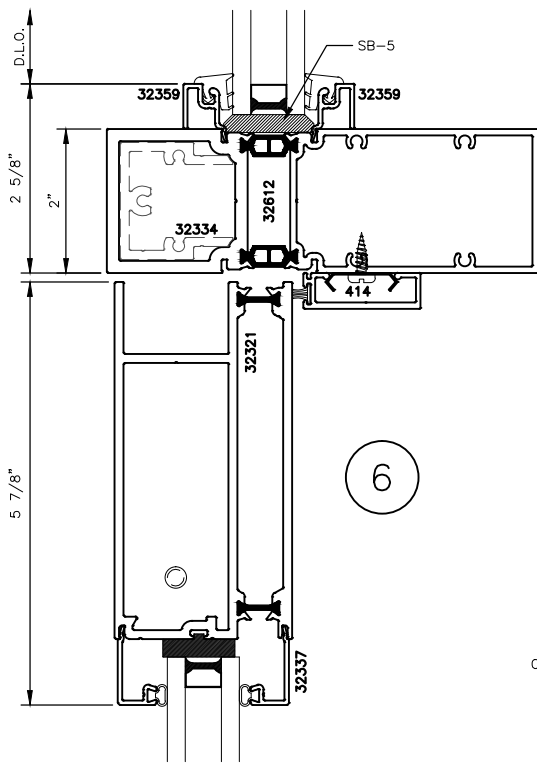
* MINIMUM RECOMMENDED FOR THERMAL ISOLATION.
INCREASE AS REQUIRED TO COMPLY WITH SEALANT
MANUFACTURERS' INSTRUCTIONS



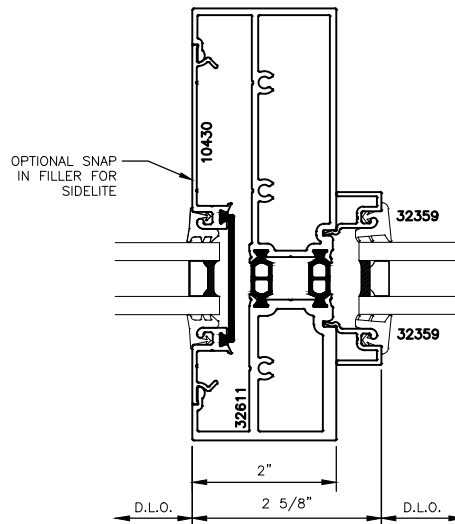


2" X 6" THERMALLY BROKEN STOREFRONT DOOR FRAME WITH 150XPT SERIES (WIDE STILE) DOOR STANDARD DETAILS

* MINIMUM RECOMMENDED FOR THERMAL ISOLATION.
INCREASE AS REQUIRED TO COMPLY WITH SEALANT
MANUFACTURERS' INSTRUCTIONS



7



7.1