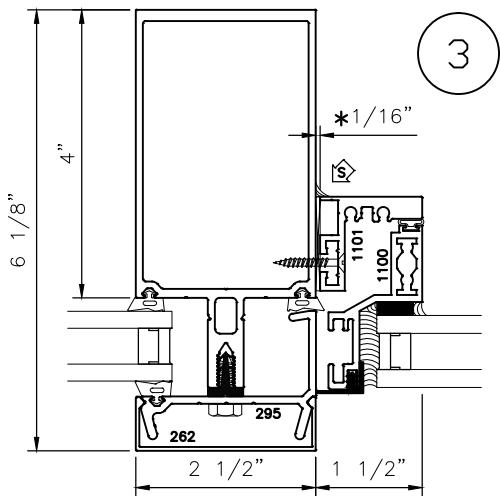
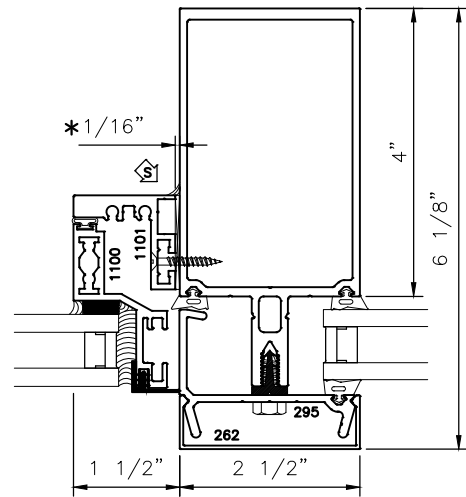
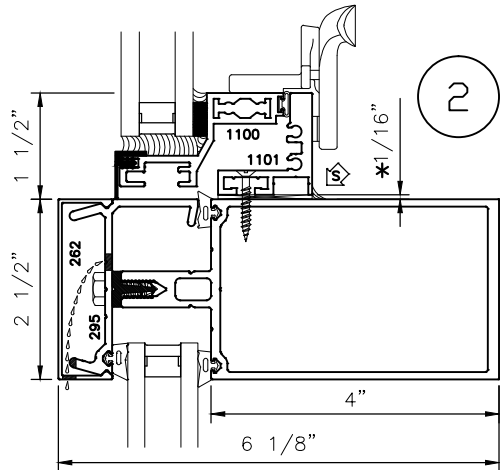
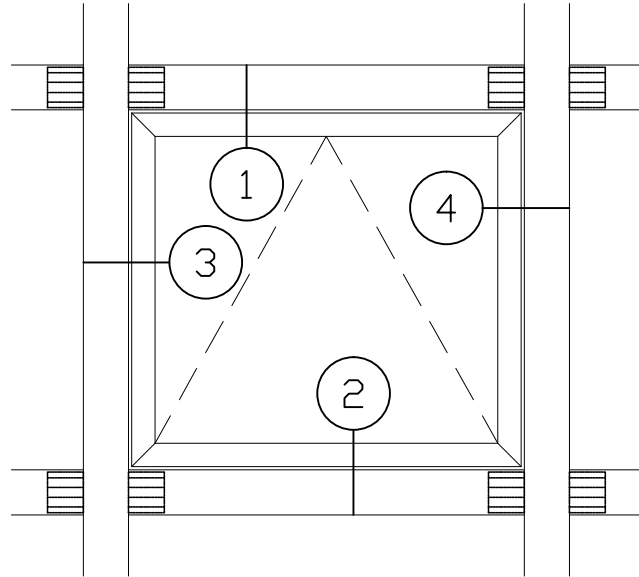
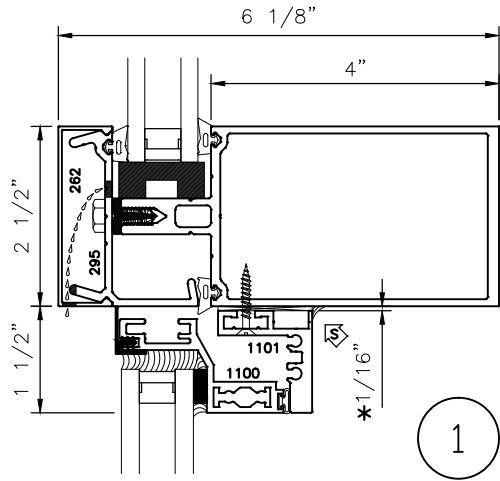




**MANKO**

# 2-1/2" GLAZED CURTAIN WALL 1100 SERIES VENT INSERTS PROJECT OUT

\* MINIMUM RECOMMENDED FOR THERMAL ISOLATION.  
INCREASE AS REQUIRED TO COMPLY WITH SEALANT  
MANUFACTURERS' INSTRUCTIONS



PART #2584 SHOWN. SIMILAR  
THROUGHOUT SERIES.