

# ***175 Series Heavy Commercial Mall Sliders***



***MANKO WINDOW SYSTEMS, INC.  
800 HAYES DRIVE  
MANHATTAN, KANSAS 66502  
PHONE: (800) 642-1488 (785) 776-9643  
FAX: (800) 576-2656 (785) 776-9644***

***MANKO WINDOW SYSTEMS, INC.  
11000 EAST 51<sup>ST</sup> AVE. SUITE B  
DENVER, COLORADO 80239  
PHONE: (888) 642-1488 (303) 375-0642  
FAX: (888) 576-2656 (303) 375-0669***



**175 Series**  
**Heavy Commercial Mall Sliders**

## **TABLE OF CONTENTS**

• SPECIFICATIONS	1-3
• 2 PANEL DOOR	4
• 3 PANEL DOOR	5
• 6 PANEL DOOR	6-7



## **175 Series Aluminum Mall Slider**

### **GUIDE SPECIFICATIONS - SECTION 084329 SLIDING STOREFRONTS Manko Window Systems Inc. 175 SERIES Mall Sliders**

#### **SECTION 084329 SLIDING STOREFRONTS**

##### **PART 1 GENERAL**

##### **1.01 SUMMARY**

- A. Section Includes:
  - 1. All interior mall sliders furnished and installed as shown on drawings, specified in this section.
  - 2. All labor, materials, tools, equipment and services needed to furnish and install Architectural mall sliders.
  - 3. Components furnished with installed mall sliders.
  - 4. Installation accessories furnished and installed.
  - 5. Single Source Requirement
    - a. All products listed in Section 08400; 08500; 08800; and 08900 shall be by the same manufacturer.

##### **1.02 SUBMITTALS**

- A. General Requirements
  - 1. Provide all submittals in a timely manner to meet the required construction completion schedule.
- B. Shop Drawings
  - 1. Shop drawings must be prepared wholly by the window manufacturer, or a qualified engineering services firm under the direction of the manufacturer. Shop drawings for pre-engineered configurations may be prepared by installers authorized per 1.03 QUALITY ASSURANCE.
  - 2. Provide design details along with bid proposals to define system aesthetic and functional characteristics.
  - 3. Provide three photocopied sets of shop drawings, including half size details of all necessary conditions.
- C. Samples
  - 1. Components: Submit samples of anchors, fasteners, hardware, assembled corner sections and other materials and components as requested by Architect.
  - 2. Finish: Submit color samples for Architect's approval as requested.

##### **1.03 QUALITY ASSURANCE**

- A. Qualifications
  - 1. Upon request, the window manufacturer will provide written confirmation that the installer is authorized to install window products to be used on this project.

##### **1.04 DELIVERY, STORAGE AND HANDLING**

- A. Packing, Shipping, Handling and Unloading
  - 1. Materials will be packed, loaded, shipped, unloaded, stored and protected in accordance with AAMA CW-10.

##### **1.05 WARRANTY**

- A. Aluminum Mall Slider Warranty
  - 1. Products: Submit a written warranty, executed by the door manufacturer, for a period of 2 years from the date of manufacture, against defective materials or workmanship, including substantial non-compliance with applicable specification requirements and industry standards, which results in premature failure of the doors, finish, factory-glazed glass, or parts, outside of normal wear.
    - a. In the event that doors or components are found defective, manufacturer will repair or provide replacements without charge at manufacturer's option.
    - b. Warranty for all components must be direct from the manufacturer (non-pass through) and non-prorated for the entire term. Warranty must be assignable to the non-residential owner, and transferable to subsequent owners through its length.
  - 2. Installation: Submit a written warranty, executed by the window installer, for a period of 2 years from the date of substantial completion, against defective materials or workmanship, including substantial non-compliance with applicable specification requirements, which result in premature failure.
    - a. In the event that installation of doors or components is found to be defective, installer will repair or provide replacements without charge at the installer's option.

## **PART 2 PRODUCTS**

### **2.01 MANUFACTURERS**

- A. Acceptable Manufacturer
  - 1. Drawings are specifications are based on:
    - a. Manko Window Systems, Inc. 175 Series Mall Slider
    - i. Base bid will be Manko Window Systems, Inc.
- B. Substitutions
  - 1. Other manufacturers' products that meet or exceed specified design requirements may be considered. Submit the following information with request for substitutions at least ten (10) working days prior to bid date.
    - a. Full proposal details and samples specified in 1.02 SUBMITTALS
    - b. Copy of manufacturer's warranty specified in 1.05 WARRANTY
    - c. Other information as requested for evaluation
  - 2. Substitute products not pre-approved by the Architect via addenda will not be considered.

### **2.02 MATERIALS**

- A. Aluminum Members
  - 1. Extruded aluminum prime billet 6063-T5 or 6063-T6 alloy for primary components; 6063-T5, 6063-T6, or 6061-T6 for structural components; all meeting the requirements of ASTM B221.
  - 2. Aluminum sheet alloy 5005 H 32 (for anodic finish), meeting the requirements of ASTM B209 or alloy 3003 H 14 (for painted or unfinished sheet).

### **2.03 MANUFACTURED UNITS**

- A. Materials
  - 1. Principal door frame portions will be a minimum 0.125" in thickness at all structural areas, hardware mounting webs, and section flanges.
  - 2. Extruded glazing beads shall have a minimum 0.055" in thickness.
- B. Fabrication
  - 1. Door stile and rail face dimensions
    - a. Vertical Stile; 2".
    - b. Top Rail; 2-1/2".
    - c. Bottom Rail; 3-5/8:
  - 2. Frame dimensions shall be (Specify one of the following)
    - a. 1-3/4" x 4-1/2" (450)
    - b. 2" x 4-1/2" (1450).

### **2.04 COMPONENTS**

- A. All steel components including attachment fasteners to be 300 series stainless steel except as noted. Doors shall be of mortised and reinforced corner construction, assembled with 3/8" (9.5mm) diameter steel tension rods for maximum strength. Sliding panels shall have a nominal depth of 1-3/4" (44mm) each to insure rigidity and prevent racking. The weight of each panel shall be supported by the tandem wheel assemblies, each capable of supporting a moving weight of 275 pounds and shall be equipped with two self contained, stainless steel ball bearing rollers. Sliding panels are not removable when in the locked position. The glass stops shall be aluminum horizontal snap in type with a lock-in gasket system. The proper stop will be provided to accommodate specified glazing thickness.
- B. Sealants
  - 1. All sealants shall comply with applicable provisions of AAMA 800 and/or Federal Specifications FS-TT-001 and 002 Series.
  - 2. Frame joinery sealants shall be suitable for application specified and as tested and approved by door manufacturer.
- C. Glass
  - 1. Provide in general accordance with Section 08800.
- D. Glazing
  - 1. Provide in general accordance with Section 08800.
  - 2. Glazing method shall be in general accordance with the FGMA Glazing Manual for specified glass type, or as approved by the glass fabricator.
- E. Glazing Materials
  - 1. Setting Blocks/Edge Blocking: Provide in sizes and locations recommended by FGMA Glazing Manual.
  - 2. Back-bedding tapes, expanded cellular glazing tapes, toe beads, heel beads and cap beads shall meet the requirements of applicable specifications cited in AAMA 800.
  - 3. Glazing gaskets shall be non-shrinking, weather-resistant, and compatible with all materials in contact.
  - 4. Structural silicone sealant where used shall meet the requirements of ASTM C 1184.

5. Spacer tape in continuous contact with structural silicone shall be tested for compatibility and approved by the sealant manufacturer for the intended application. Gaskets in continuous contact with structural silicone shall be extruded silicone or compatible material.

F. Steel Components

1. Provide steel reinforcements as necessary to meet the system performance requirements of 1.02.
2. Concealed steel anchors and reinforcing shall be factory painted after fabrication with rust-inhibitive primer complying with Federal Specification TT-P-645.

G. Tolerances

1. Reference to tolerances for wall thickness and other cross-sectional dimensions of entrance members are nominal and in compliance with the Aluminum Standards and Data.

H. Weather Stripping:

1. Weather-stripping shall be wool pile and installed in the top head track of the frame

**2.05 FINISHES**

A. Finish of Aluminum Components

1. Finish of all exposed areas of aluminum windows and components shall be done in accordance with the appropriate AAMA Voluntary Guide Specification shown (select from below).

Designation	Description	Standard	Color
AAM12C21A31	Clear - Class II	AAMA 611	Clear
AAM12C21A41	Clear - Class I	AAMA 611	Clear
AAM12C21A44	Electrolytically Deposited – Class I	AAMA 611	Champagne, Light Bronze, Medium Bronze, Dark Bronze, Black
	Organic Paint	AAMA 2603	As selected by Architect from manufacturer's standard colors - Suitable for INTERIOR Finishes
	Organic Paint	AAMA 2605	As selected by Architect from manufacturer's (Specify) standard or custom colors - suitable for INTERIOR or EXTERIOR finishes

**PART 3 EXECUTION**

**3.01 EXAMINATION**

A. Site Verification of Conditions

1. Verify that building substrates permit installation of doors according to the manufacturer's instructions, approved shop drawings, calculations and contract documents.
2. Do not install doors until unsatisfactory conditions are corrected.

**3.02 INSTALLATION**

A. Erection of Mall Sliders

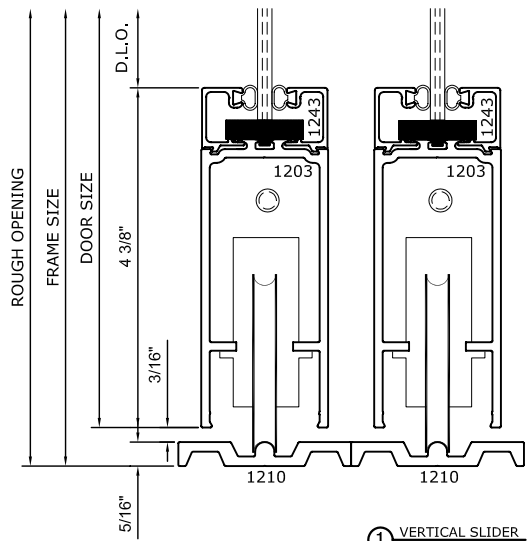
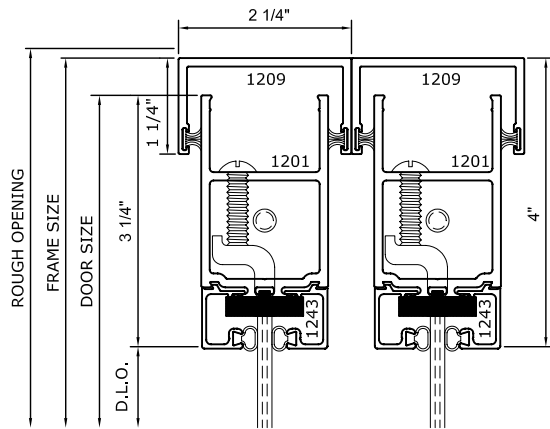
1. Install mall slider with skilled tradesman in exact accordance with approved shop drawings, installation instructions, specifications, and AAMA 101/I.S.2.
2. Mall slider must be installed **plumb, square and level** for proper weathering and operation. Main frame must not be "sprung", bowed or warped during installation.
3. Aluminum that is not organically coated shall be insulated from direct contact with steel, masonry, concrete or other dissimilar metals by bituminous paint, zinc chromate primer, nonconductive shims or other suitable insulating material.

*[DISCLAIMER: Manko Window Systems, Inc. takes no responsibility for product selection or application, including, but not limited to, compliance with building codes, safety codes, laws, merchantability or fitness for a particular purpose, and further disclaims all liability for the use, in whole or in part, of these guide specifications in preparation of project specifications and/or other documents. Guide specifications are subject to change at any time, without notice, and at Manko Window Systems, Inc. sole discretion.]*

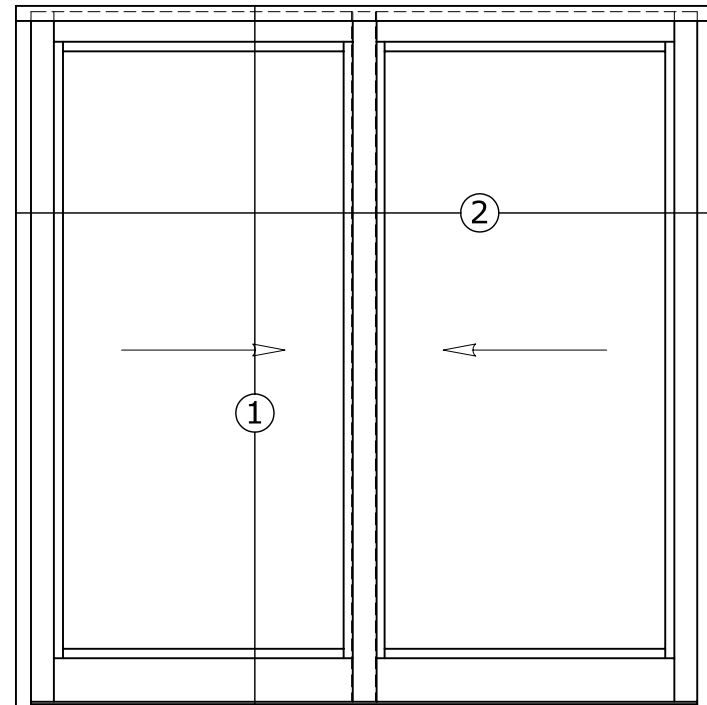
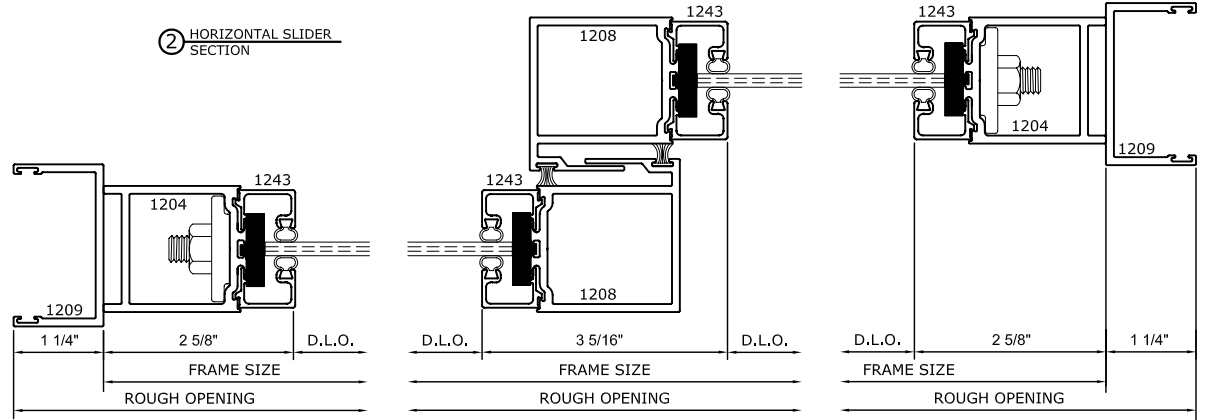


# 175 MALL SLIDER

## 2 PANEL DOORS



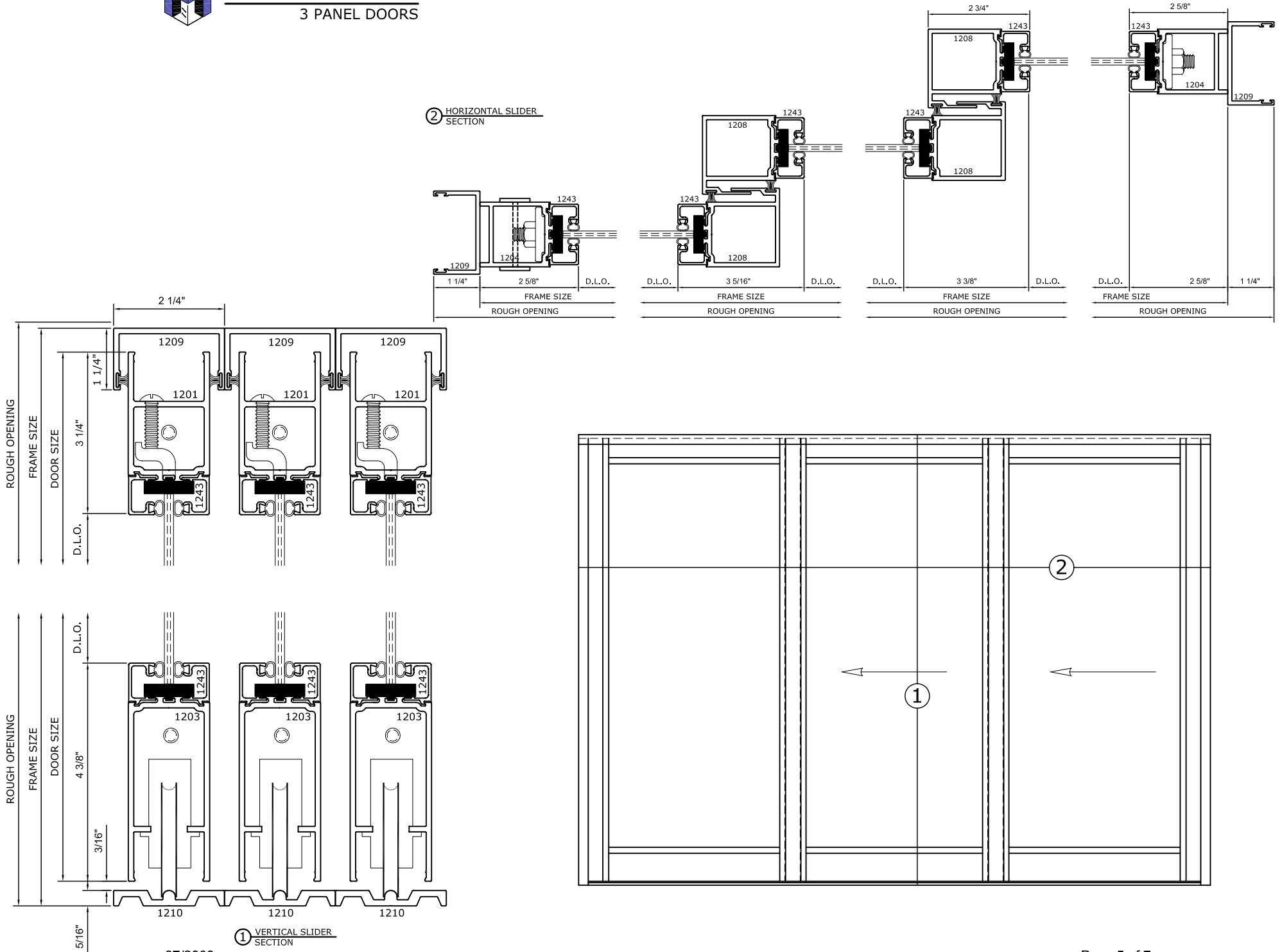
② HORIZONTAL SLIDER SECTION





# 175 MALL SLIDER

## 3 PANEL DOORS

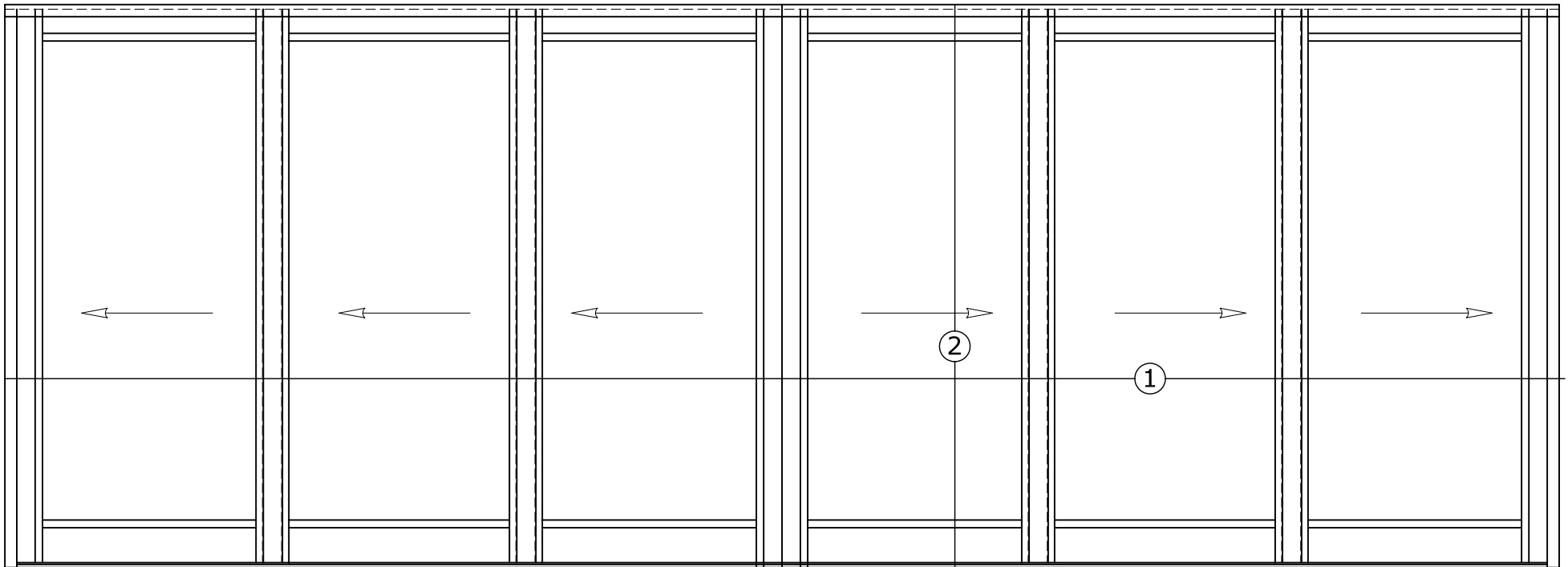
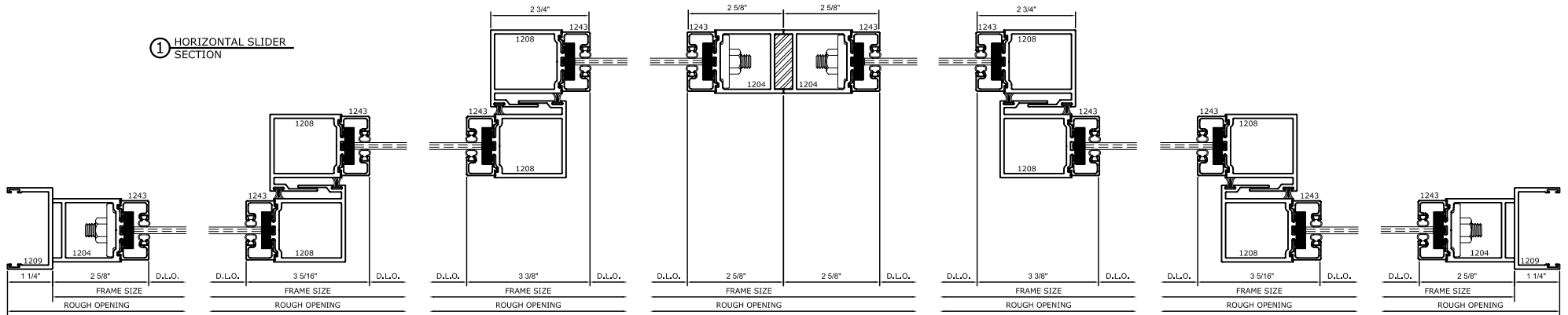




# 175 MALL SLIDER

## 6 PANEL DOORS

### ① HORIZONTAL SLIDER SECTION







175 MALL SLIDER  
6 PANEL DOORS

