

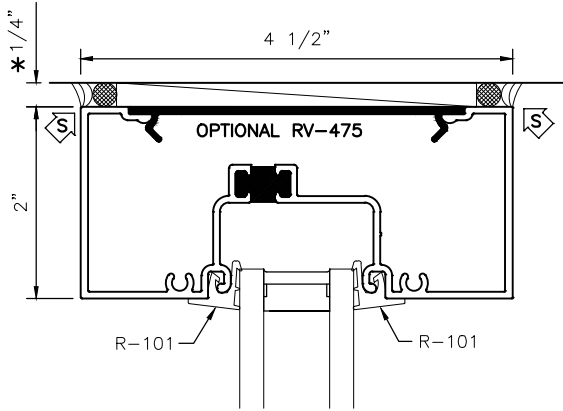


MANKO

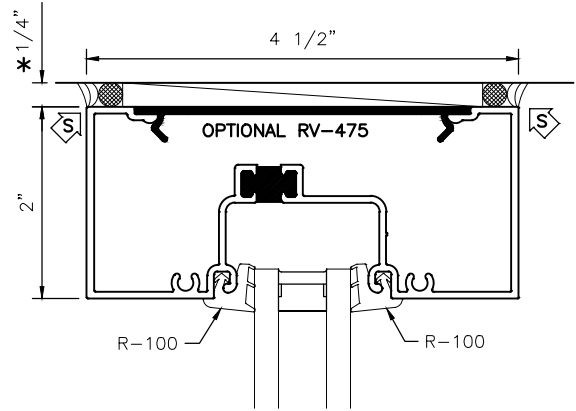
2450CG

4 1/2" CENTER GLAZED THERMALLY BROKEN STOREFRONT OPT. GLAZING CONFIGURATION

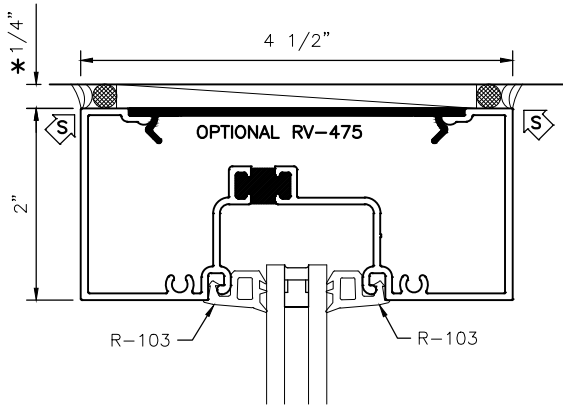
* MINIMUM RECOMMENDED FOR THERMAL ISOLATION.
INCREASE AS REQUIRED TO COMPLY WITH SEALANT
MANUFACTURERS' INSTRUCTIONS



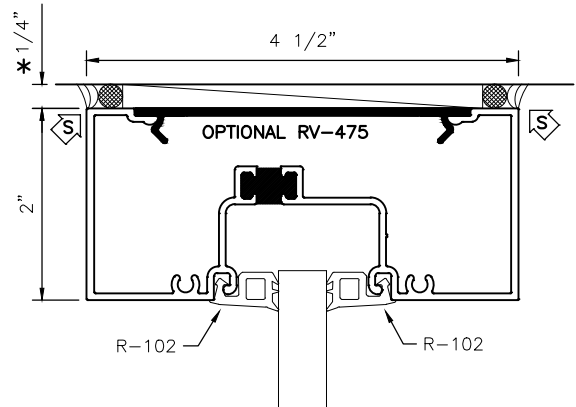
1 1/8" GLAZING



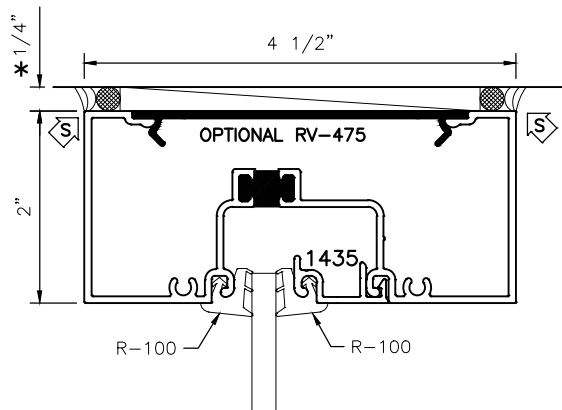
1" GLAZING



5/8" GLAZING



1/2" GLAZING



1/4" GLAZING

**PART # 2451 SHOWN. SIMILAR
THROUGHOUT SERIES.**