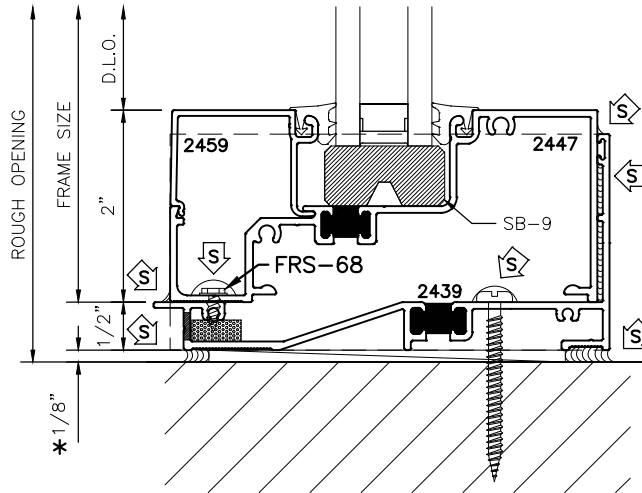




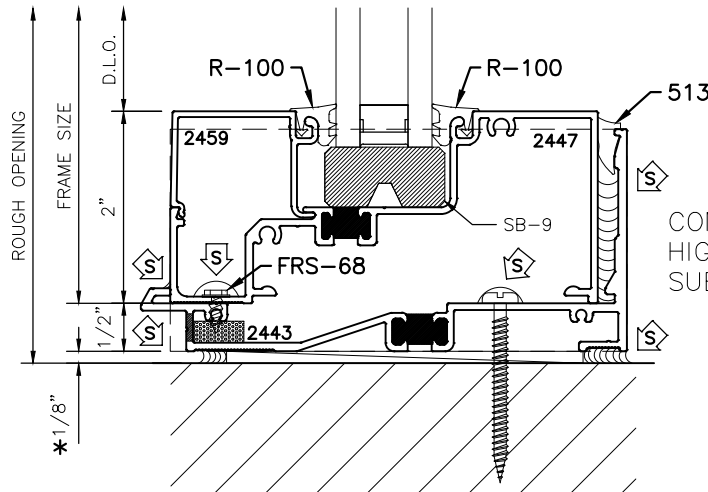
2450CG

4 1/2" CENTER GLAZED THERMALLY BROKEN STOREFRONT SUB-SILL DETAILS

*MINIMUM RECOMMENDED FOR THERMAL ISOLATION.
INCREASE AS REQUIRED TO COMPLY WITH SEALANT
MANUFACTURERS' INSTRUCTIONS



CONCEALED FASTENER.



CONCEALED FASTENER.
HIGH PERFORMANCE
SUB-SILL