

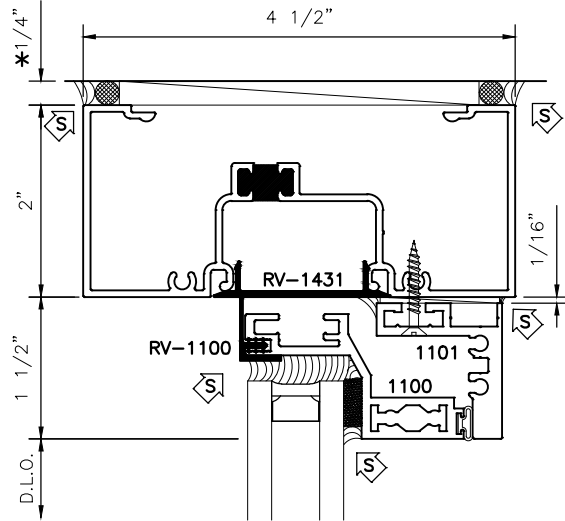
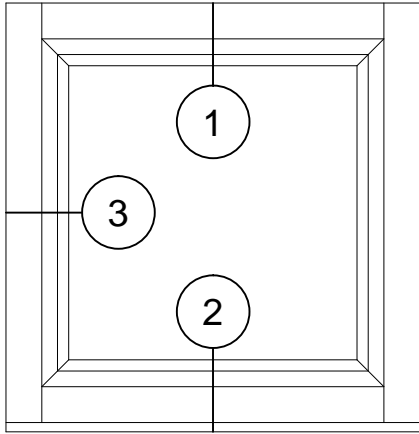


MANKO

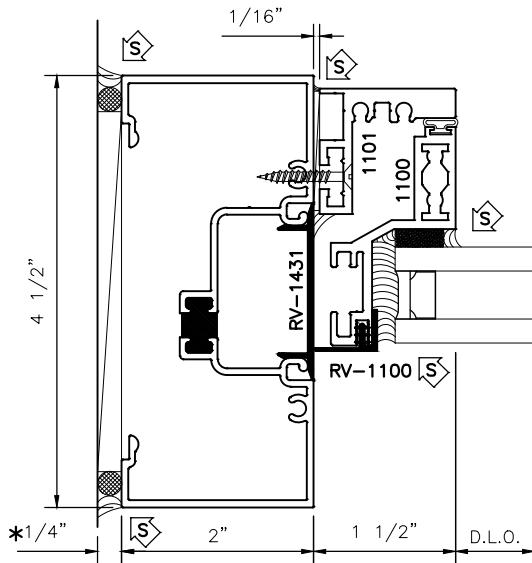
2450CG

4 1/2" CENTER GLAZED THERMALLY BROKEN STOREFRONT VENT INSERT DETAILS

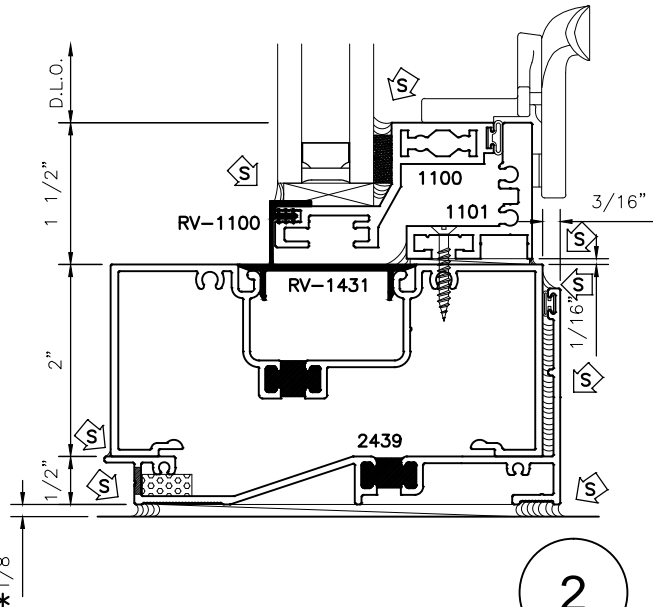
* MINIMUM RECOMMENDED FOR THERMAL ISOLATION. INCREASE AS REQUIRED TO COMPLY WITH SEALANT MANUFACTURERS' INSTRUCTIONS



1



3



2

PART # 2451 SHOWN. SIMILAR THROUGHOUT SERIES.