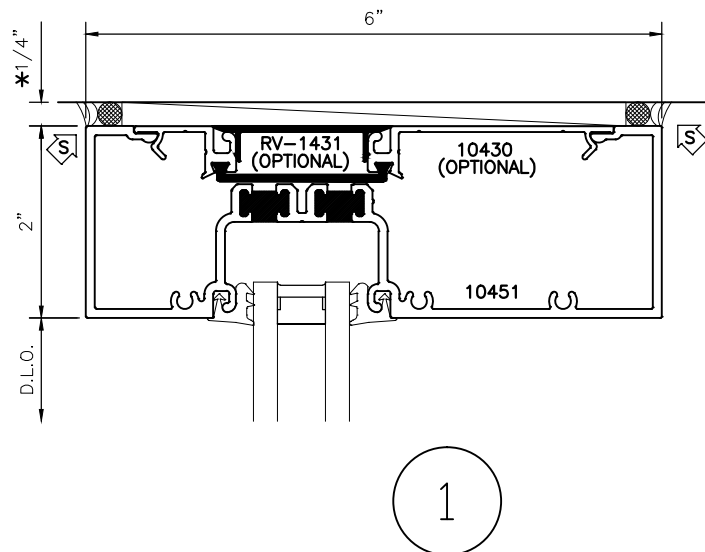
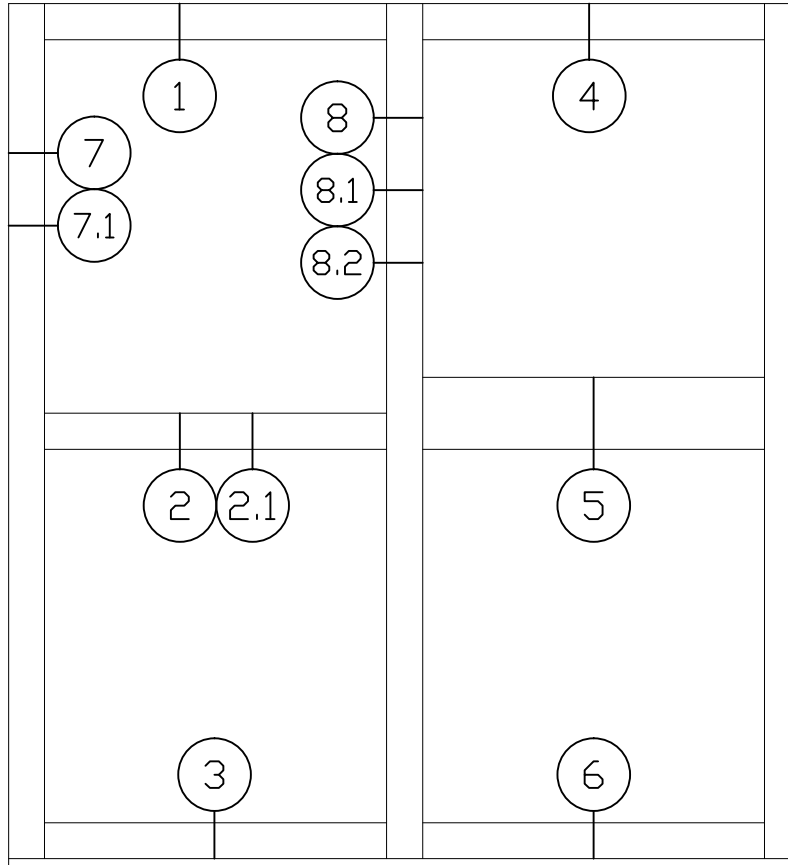




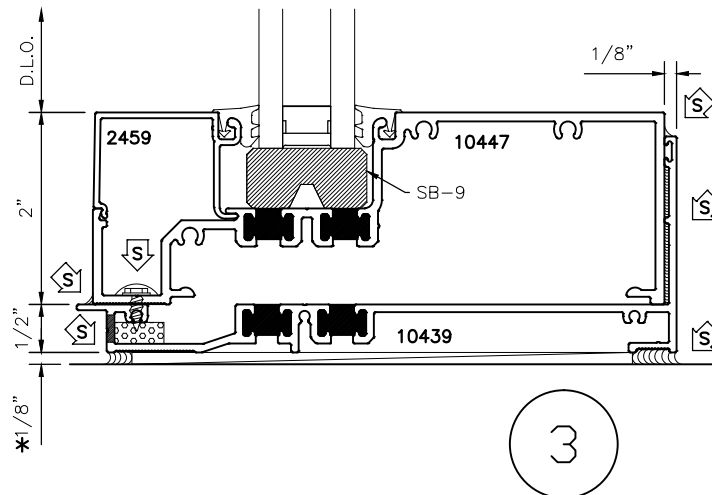
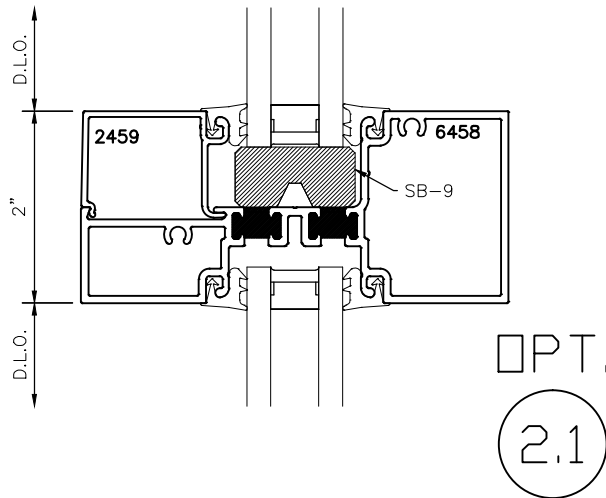
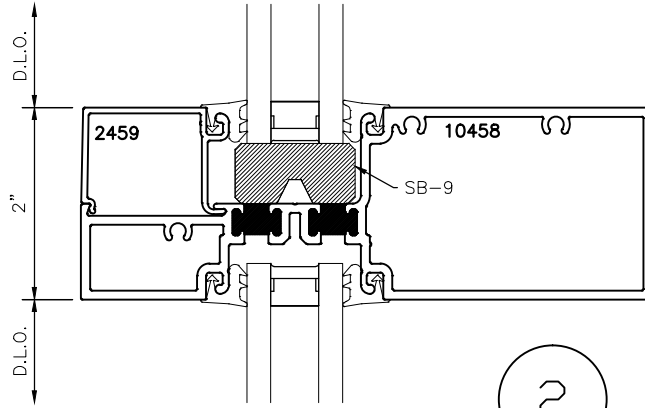
2600XPT

6" OFFSET GLAZED THERMAL STOREFRONT STANDARD/OPTIONAL DETAILS

* MINIMUM RECOMMENDED FOR THERMAL ISOLATION.
INCREASE AS REQUIRED TO COMPLY WITH SEALANT
MANUFACTURERS' INSTRUCTIONS



* MINIMUM RECOMMENDED FOR THERMAL ISOLATION.
INCREASE AS REQUIRED TO COMPLY WITH SEALANT
MANUFACTURERS' INSTRUCTIONS

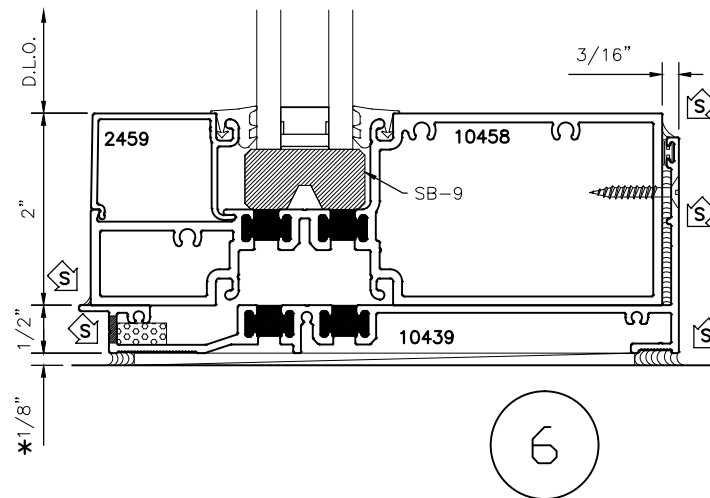
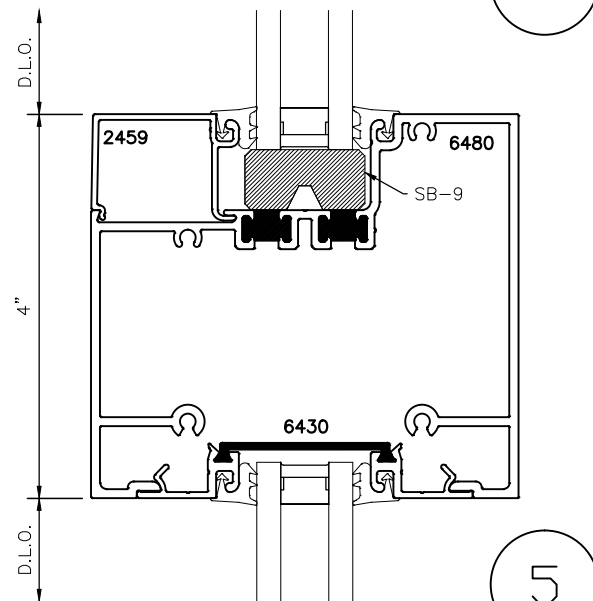
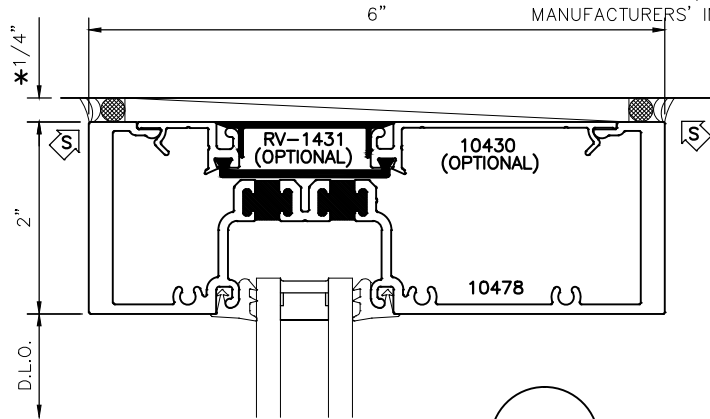




2600XPT

6" OFFSET GLAZED THERMAL STOREFRONT STANDARD/OPTIONAL DETAILS

* MINIMUM RECOMMENDED FOR THERMAL ISOLATION.
INCREASE AS REQUIRED TO COMPLY WITH SEALANT
MANUFACTURERS' INSTRUCTIONS



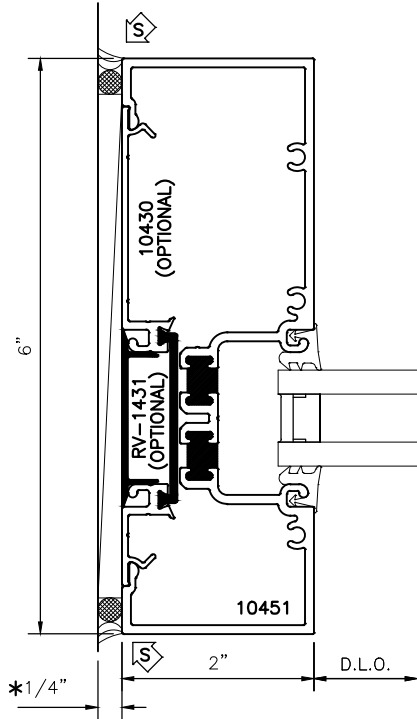


MANKO

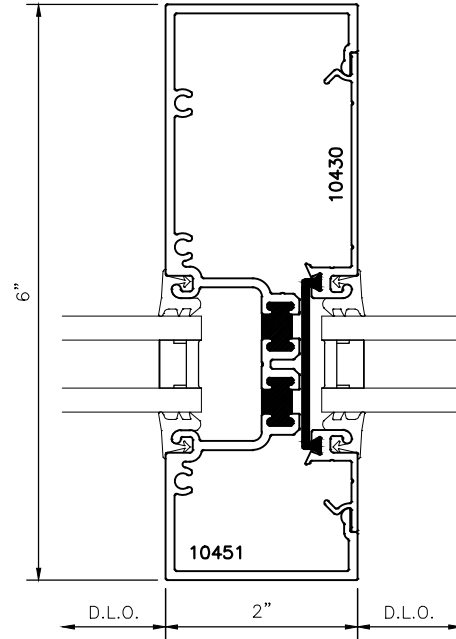
2600XPT

6" OFFSET GLAZED THERMAL STOREFRONT STANDARD/OPTIONAL DETAILS

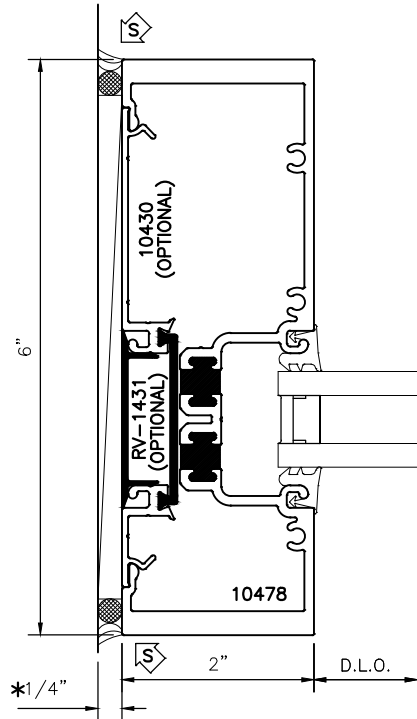
* MINIMUM RECOMMENDED FOR THERMAL ISOLATION.
INCREASE AS REQUIRED TO COMPLY WITH SEALANT
MANUFACTURERS' INSTRUCTIONS



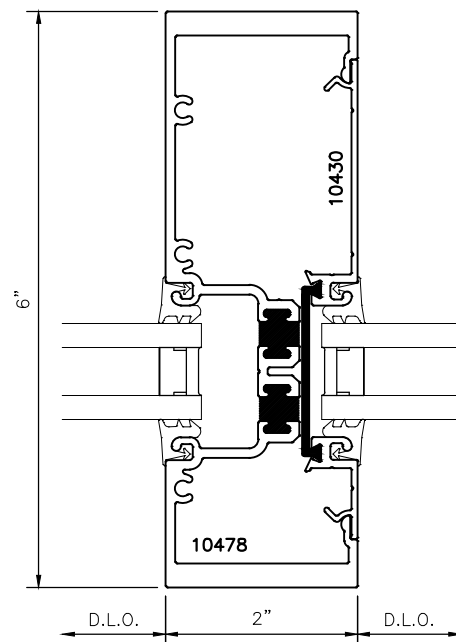
7



8



OPT.
7.1



OPT.
8.1



MANKO

2600XPT

**6" OFFSET GLAZED
THERMAL STOREFRONT
STANDARD / OPTIONAL DETAILS**

