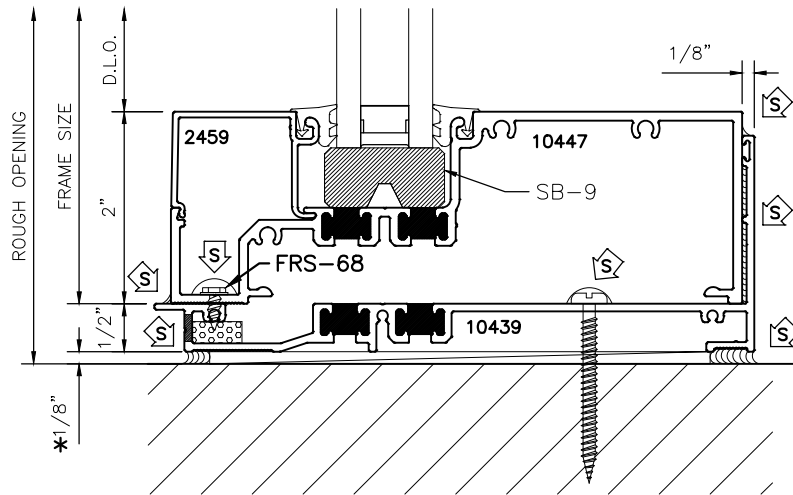




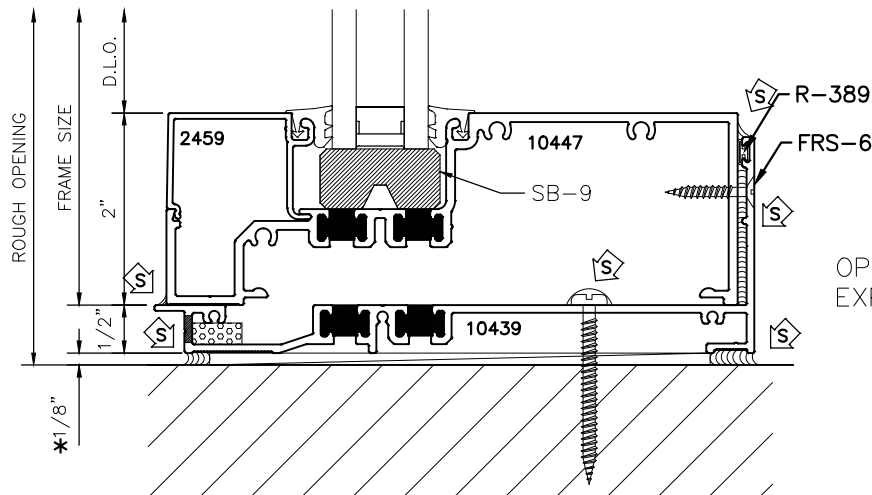
2600XPT

6" OFFSET GLAZED THERMAL STOREFRONT SUB-SILL DETAILS

* MINIMUM RECOMMENDED FOR THERMAL ISOLATION.
INCREASE AS REQUIRED TO COMPLY WITH SEALANT
MANUFACTURERS' INSTRUCTIONS



CONCEALED FASTENER.



OPTIONAL
EXPOSED FASTENER.