

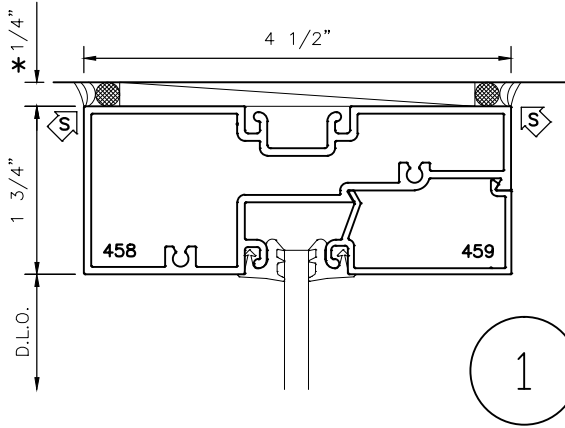


MANKO

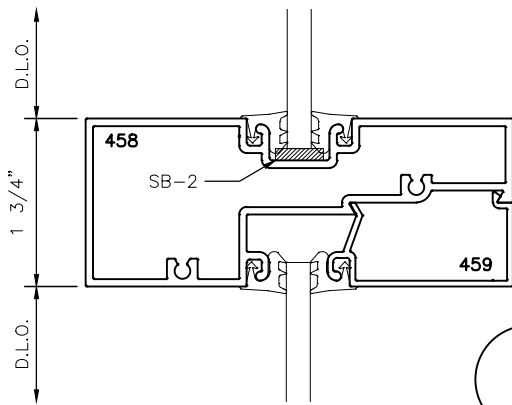
450

1 3/4" X 4 1/2" NON-THERMAL STOREFRONT INSIDE GLAZE DETAILS

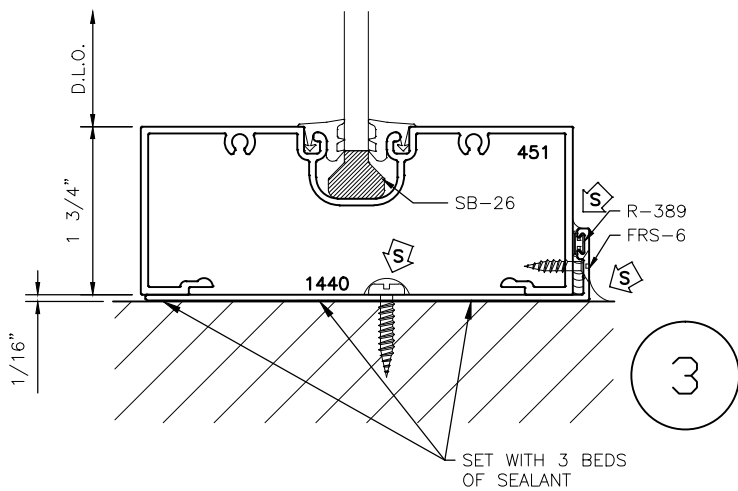
* MINIMUM RECOMMENDED FOR THERMAL ISOLATION. INCREASE AS REQUIRED TO COMPLY WITH SEALANT MANUFACTURERS' INSTRUCTIONS



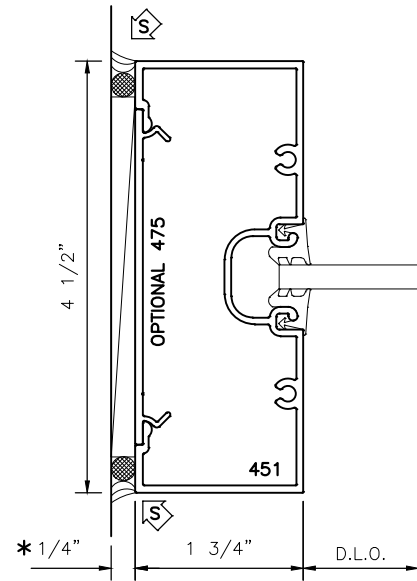
1



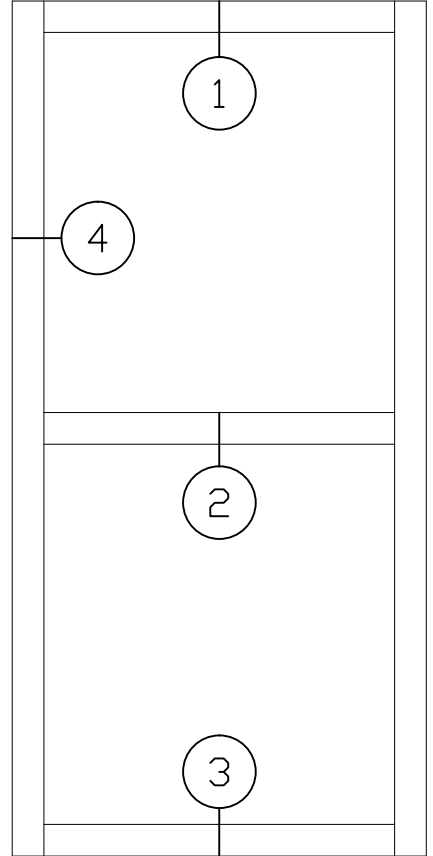
2



3



4



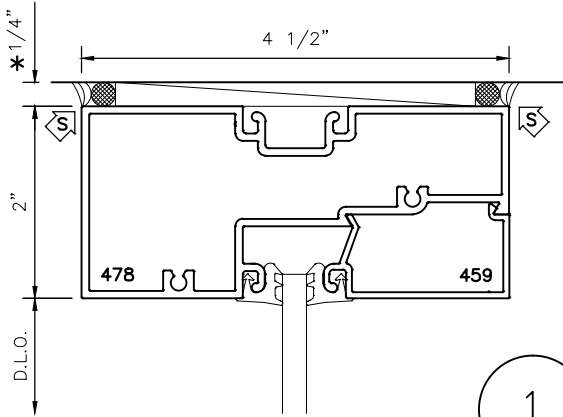


MANKO

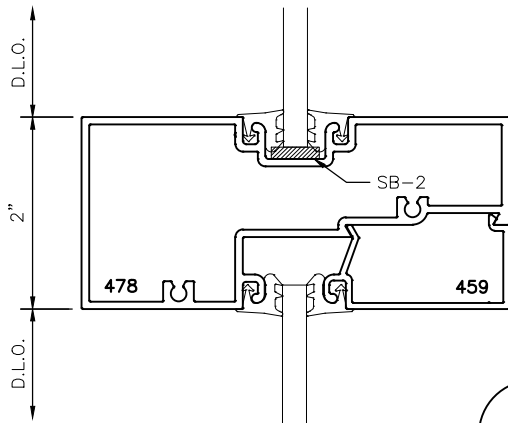
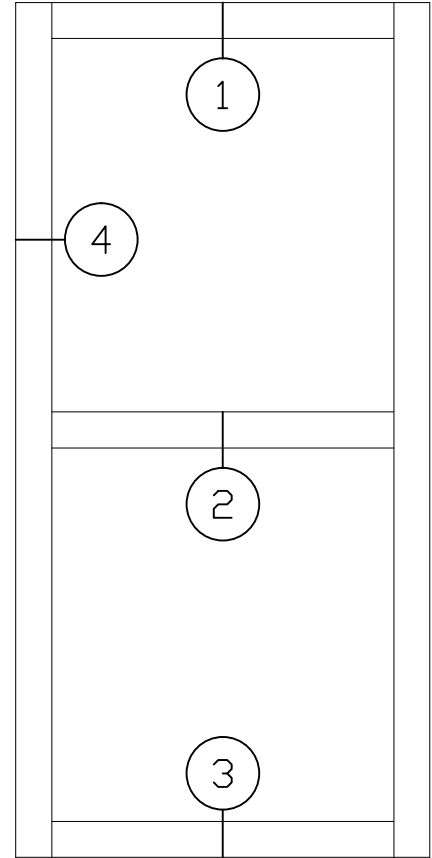
450

2" X 4 1/2" NON-THERMAL STOREFRONT INSIDE GLAZE DETAILS

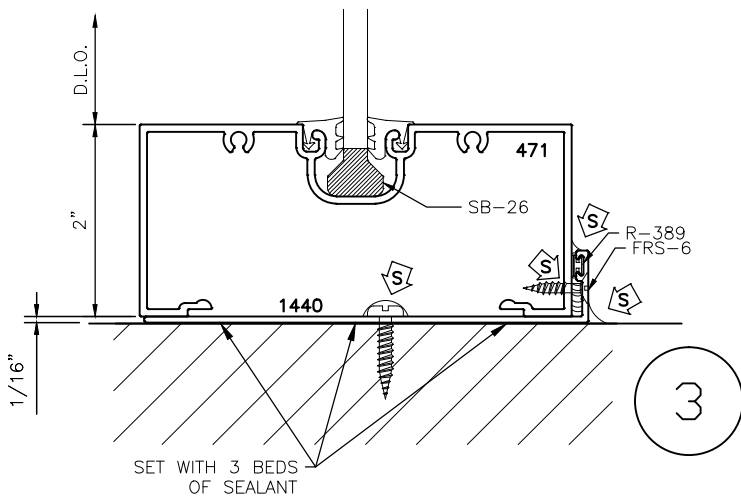
* MINIMUM RECOMMENDED FOR THERMAL ISOLATION. INCREASE AS REQUIRED TO COMPLY WITH SEALANT MANUFACTURERS' INSTRUCTIONS



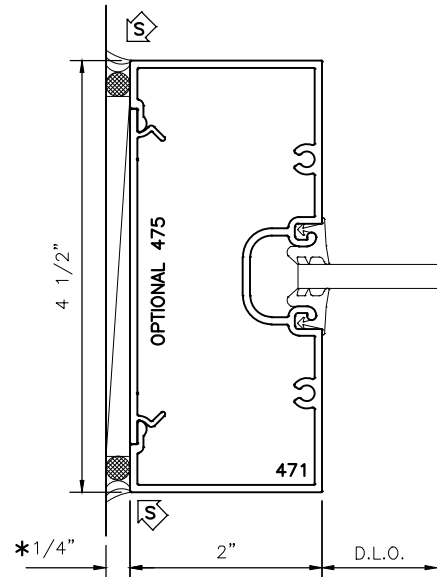
1



2



3



4