

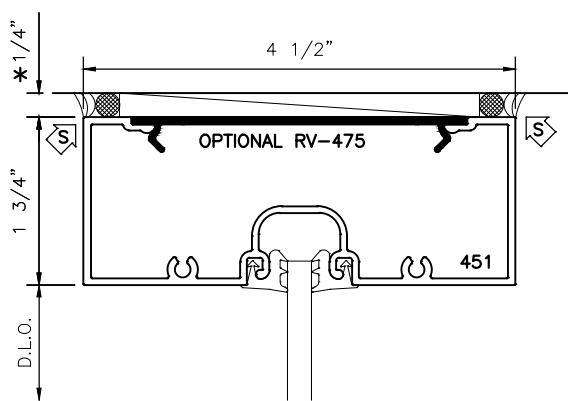
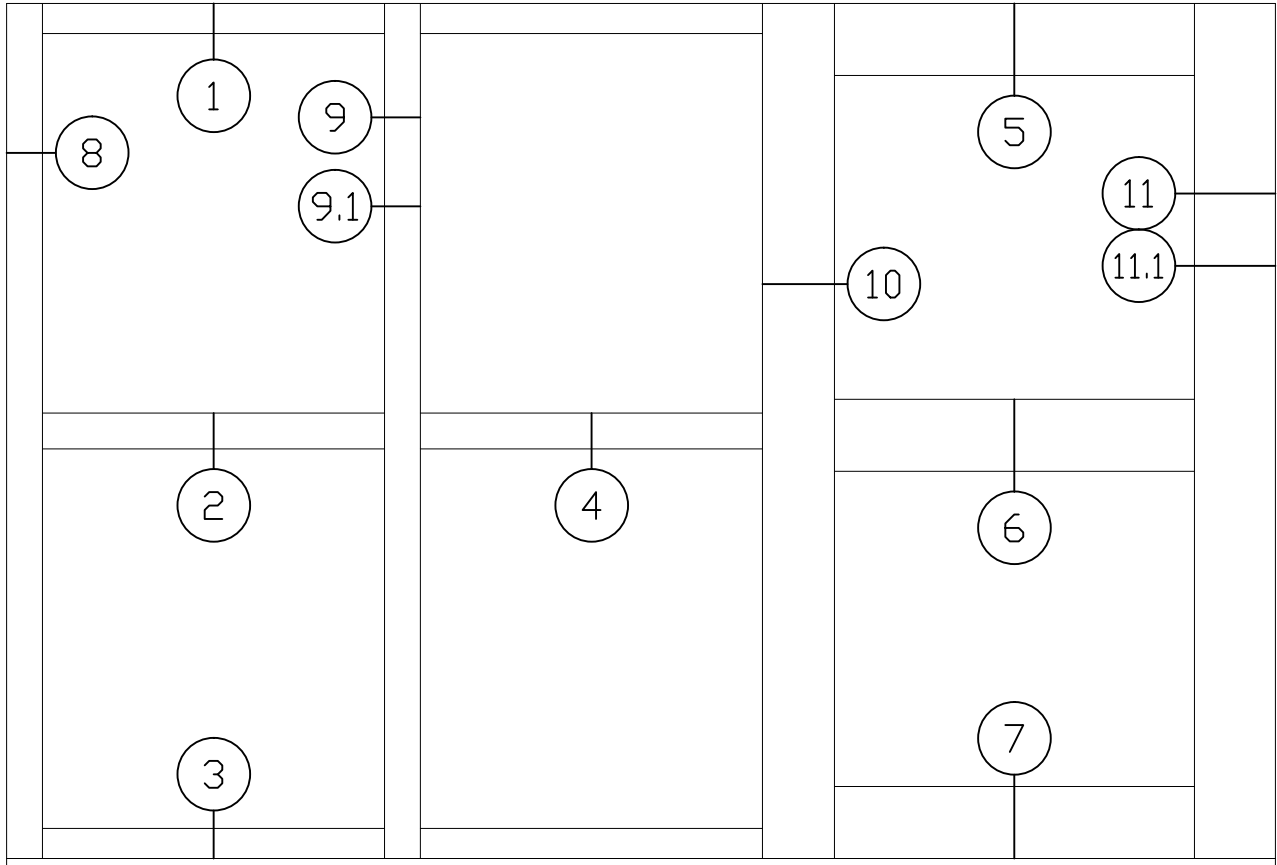


**MANKO**

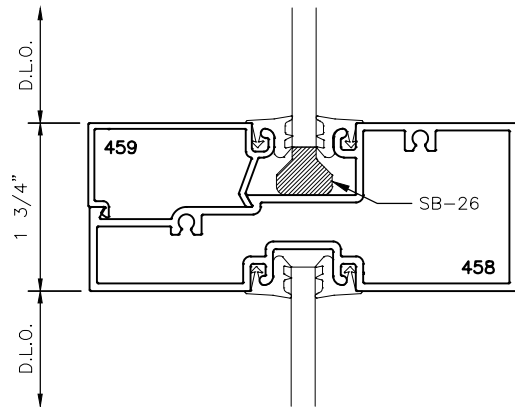
**450**

**1 3/4" X 4 1/2" NON-THERMAL  
STOREFRONT  
STANDARD / OPTIONAL DETAILS**

\*MINIMUM RECOMMENDED FOR THERMAL ISOLATION.  
INCREASE AS REQUIRED TO COMPLY WITH SEALANT  
MANUFACTURERS' INSTRUCTIONS



1



2

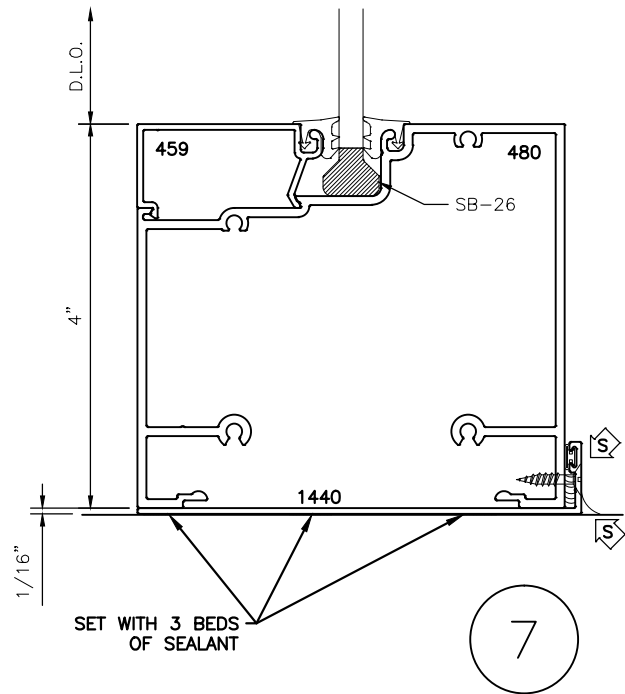
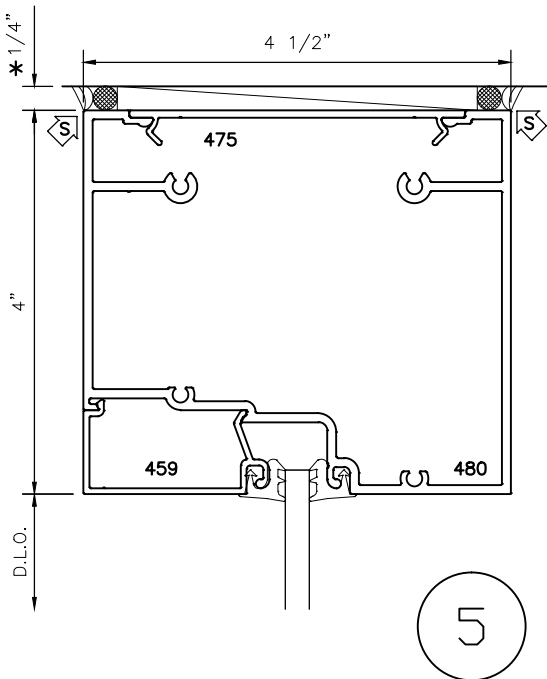
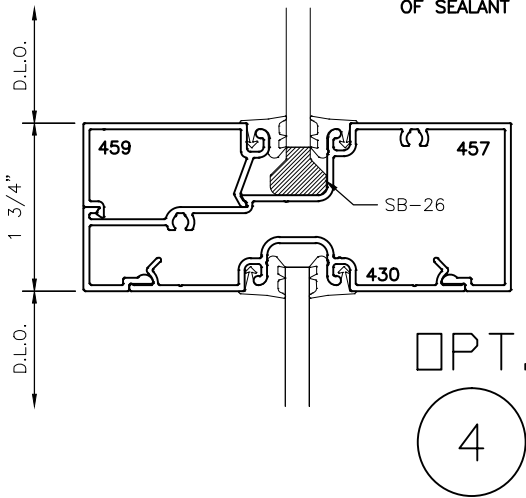
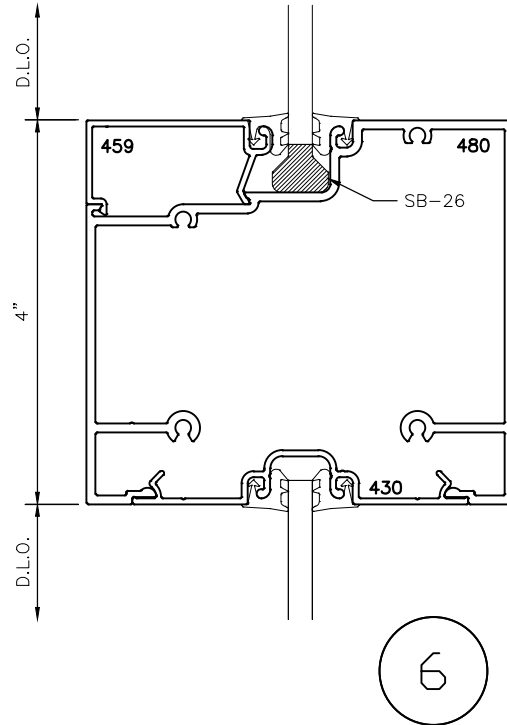
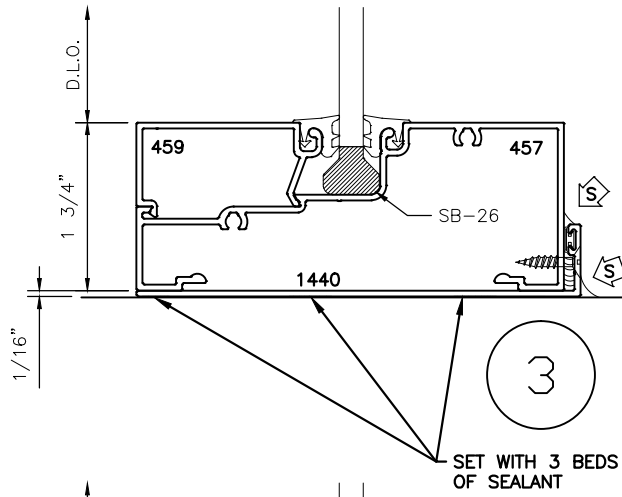


**MANKO**

**450**

# 1 3/4" X 4 1/2" NON-THERMAL STOREFRONT STANDARD/OPTIONAL DETAILS

\*MINIMUM RECOMMENDED FOR THERMAL ISOLATION.  
INCREASE AS REQUIRED TO COMPLY WITH SEALANT  
MANUFACTURERS' INSTRUCTIONS



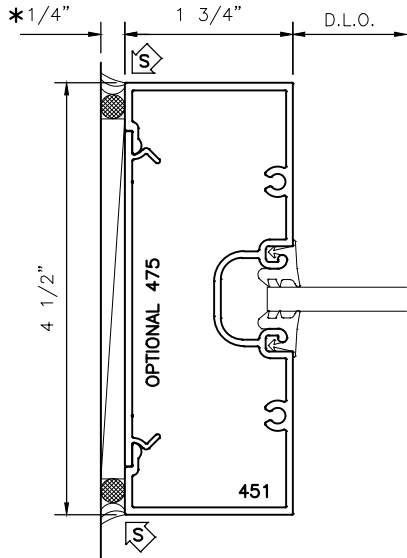


**MANKO**

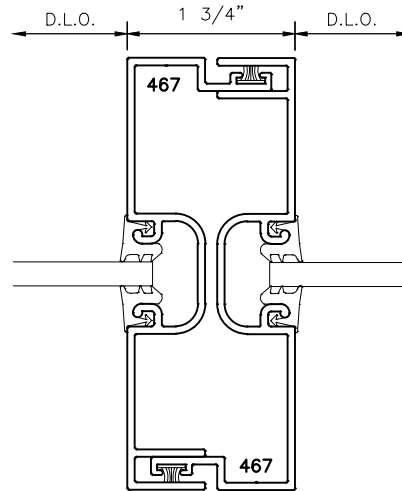
**450**

**1 3/4" X 4 1/2" NON-THERMAL  
STOREFRONT  
STANDARD/OPTIONAL DETAILS**

\*MINIMUM RECOMMENDED FOR THERMAL ISOLATION.  
INCREASE AS REQUIRED TO COMPLY WITH SEALANT  
MANUFACTURERS' INSTRUCTIONS

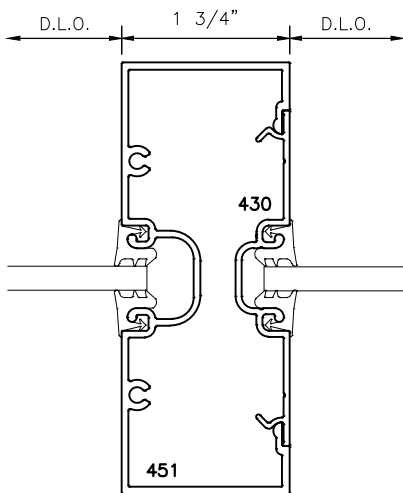


8

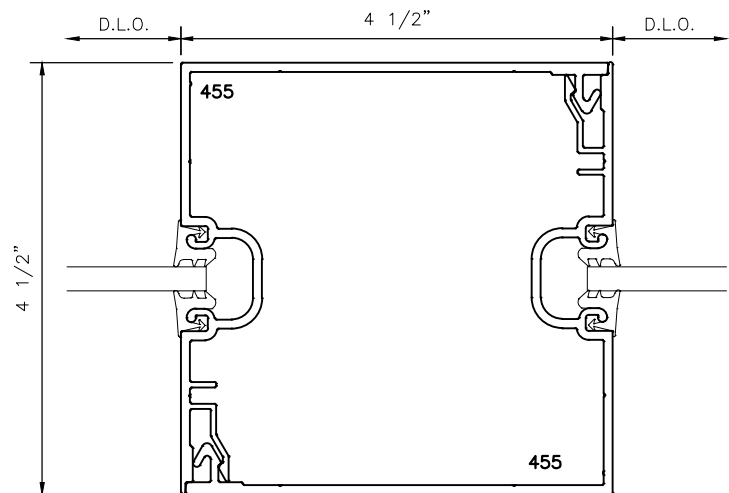


OPT.

9.1



9



OPT.

10

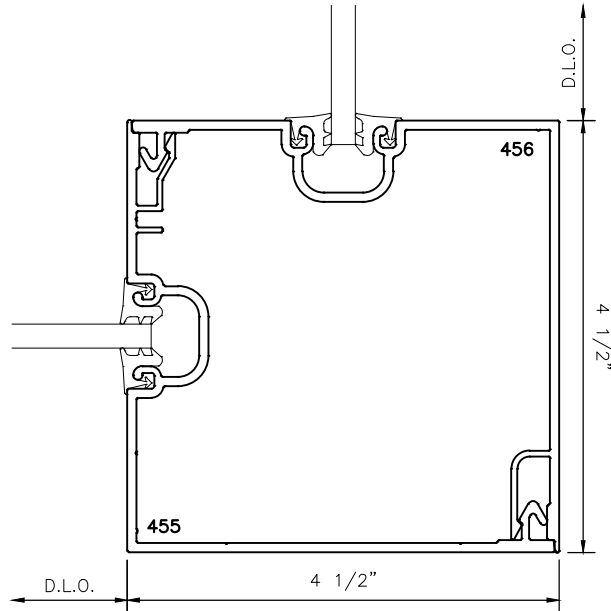


**MANKO**

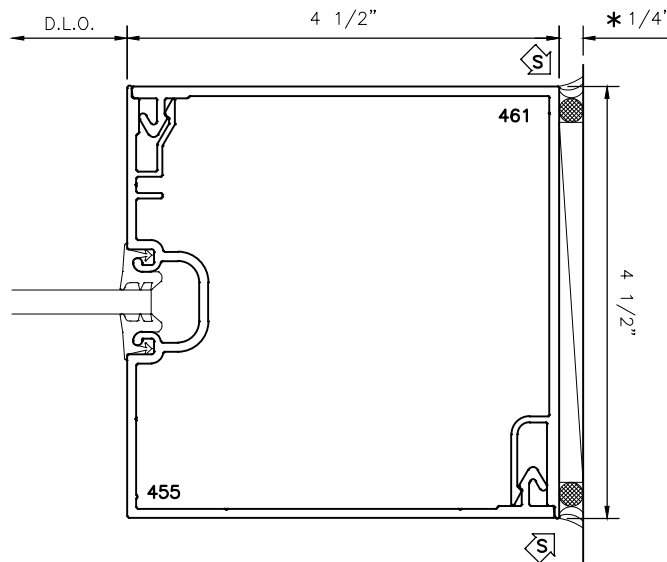
**450**

**1 3/4" X 4 1/2" NON-THERMAL  
STOREFRONT  
STANDARD / OPTIONAL DETAILS**

\*MINIMUM RECOMMENDED FOR THERMAL ISOLATION.  
INCREASE AS REQUIRED TO COMPLY WITH SEALANT  
MANUFACTURERS' INSTRUCTIONS



OPT.  
11



OPT.  
11.1