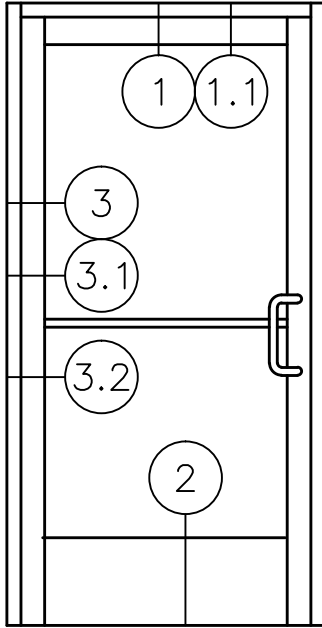


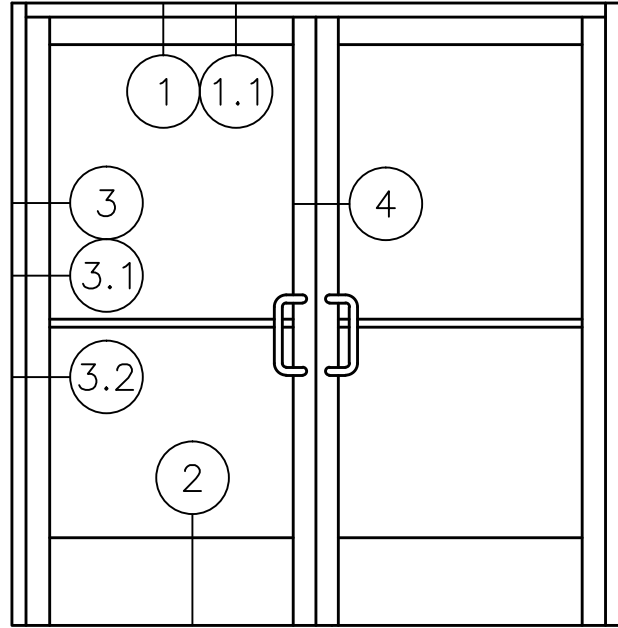


450

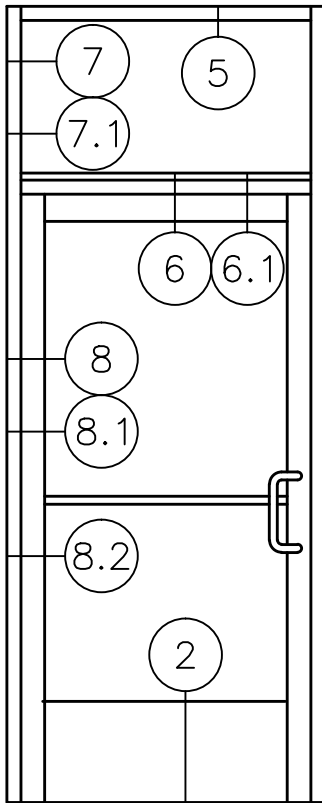
1 3/4" X 4 1/2" STOREFRONT DOOR FRAMING
 WITH 100 SERIES (NARROW STILE)
 DOOR DETAILS - OFFSET ARM &
 CONCEALED OVERHEAD CLOSER



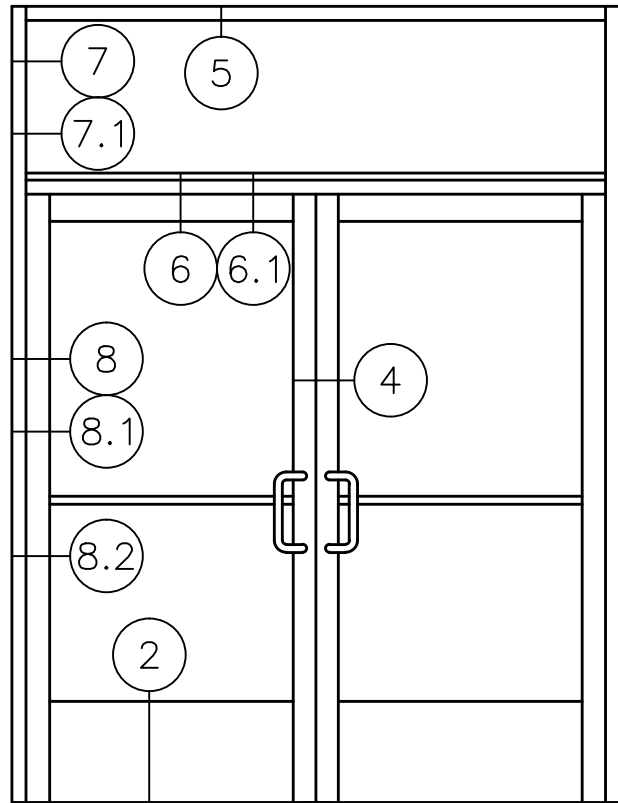
SINGLE DOOR
 WITHOUT TRANSOM
 STANDARD CONFIGURATION



PAIR DOORS
 WITHOUT TRANSOM
 STANDARD CONFIGURATION



SINGLE DOOR
 WITH TRANSOM
 STANDARD CONFIGURATION



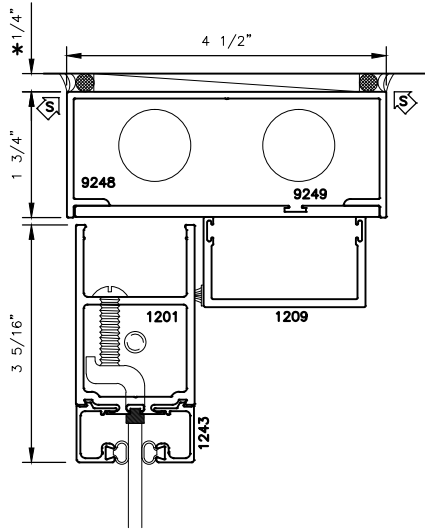
PAIR DOORS
 WITH TRANSOM
 STANDARD CONFIGURATION



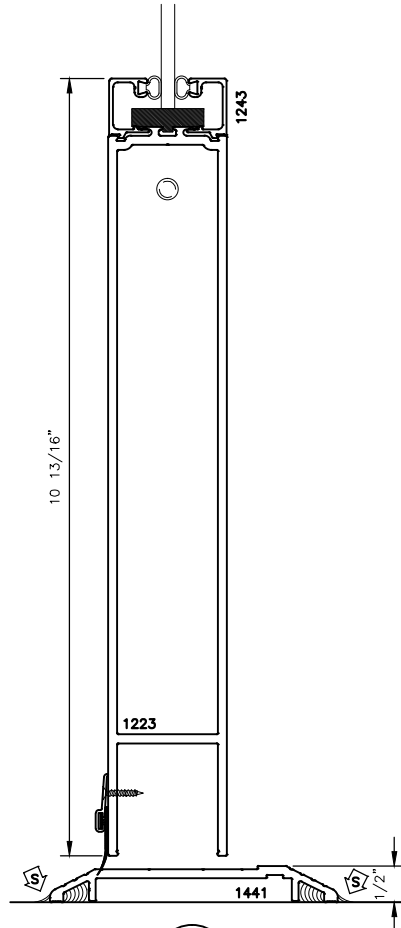
450

1 3/4" X 4 1/2" STOREFRONT DOOR FRAMING
 WITH 100 SERIES (NARROW STILE)
 DOOR DETAILS - OFFSET ARM &
 CONCEALED OVERHEAD CLOSER

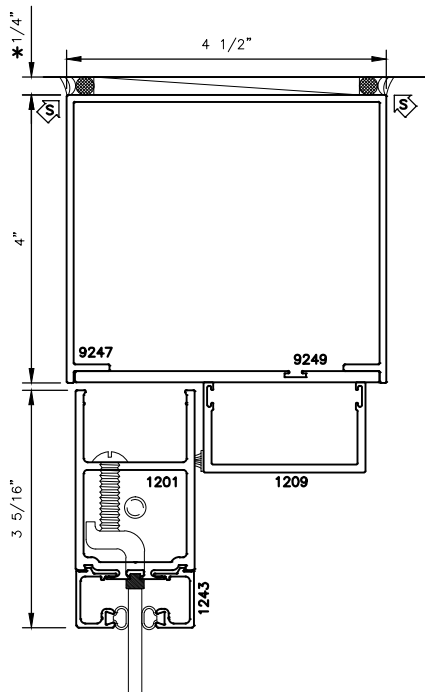
* MINIMUM RECOMMENDED FOR THERMAL ISOLATION.
 INCREASE AS REQUIRED TO COMPLY WITH SEALANT
 MANUFACTURERS' INSTRUCTIONS



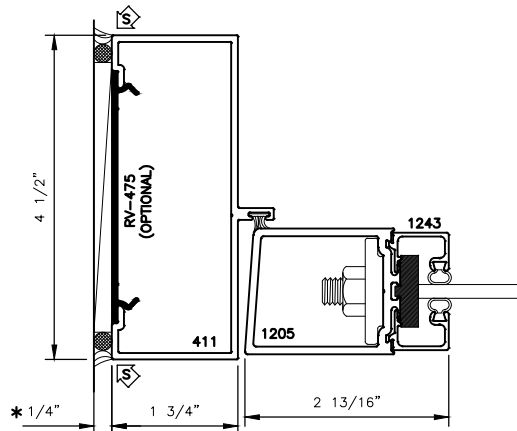
1



2



1.1



3

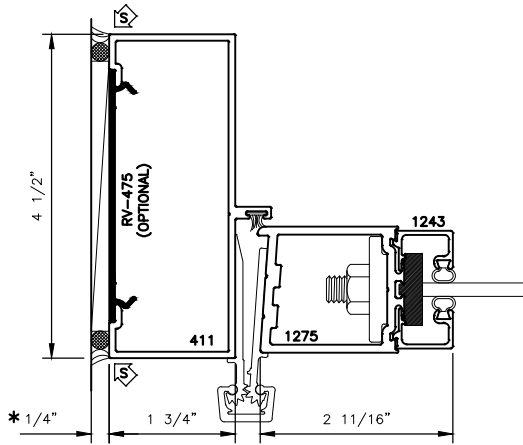
STANDARD SWEEP AND THRESHOLD SHOWN



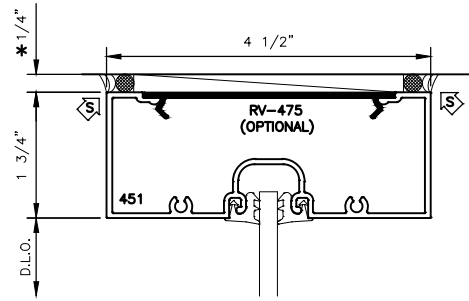
450

1 3/4" X 4 1/2" STOREFRONT DOOR FRAMING
WITH 100 SERIES (NARROW STILE)
DOOR DETAILS - OFFSET ARM &
CONCEALED OVERHEAD CLOSER

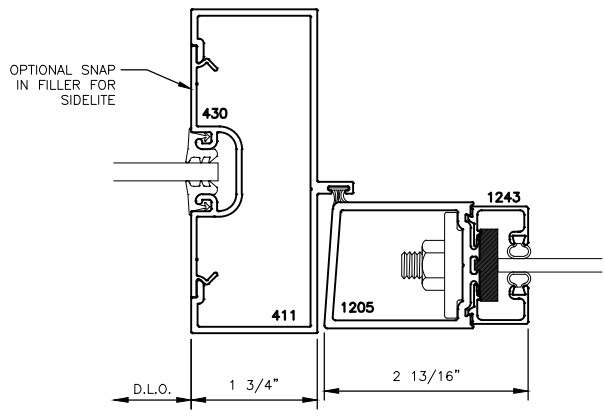
* MINIMUM RECOMMENDED FOR THERMAL ISOLATION.
INCREASE AS REQUIRED TO COMPLY WITH SEALANT
MANUFACTURERS' INSTRUCTIONS



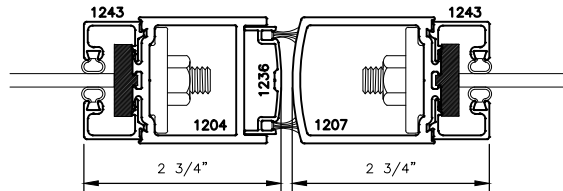
OPT.
3.1



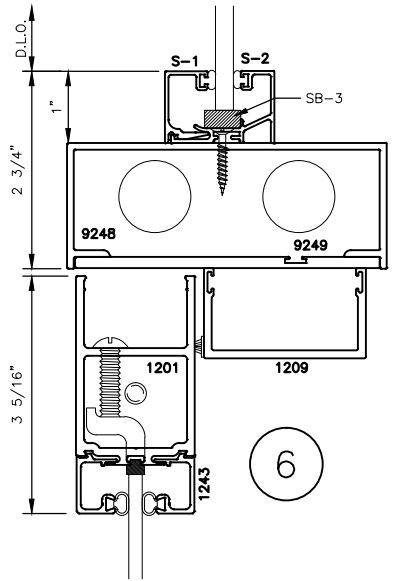
5



OPT.
3.2



4



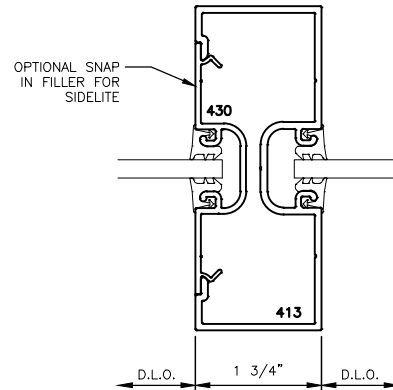
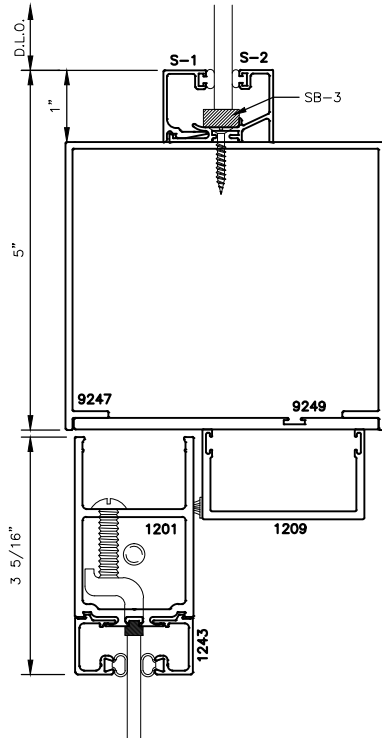
6



450

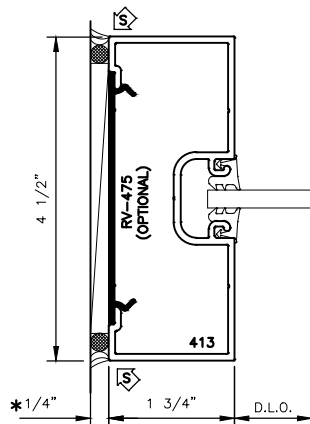
1 3/4" X 4 1/2" STOREFRONT DOOR FRAMING
WITH 100 SERIES (NARROW STILE)
DOOR DETAILS - OFFSET ARM &
CONCEALED OVERHEAD CLOSER

* MINIMUM RECOMMENDED FOR THERMAL ISOLATION.
INCREASE AS REQUIRED TO COMPLY WITH SEALANT
MANUFACTURERS' INSTRUCTIONS

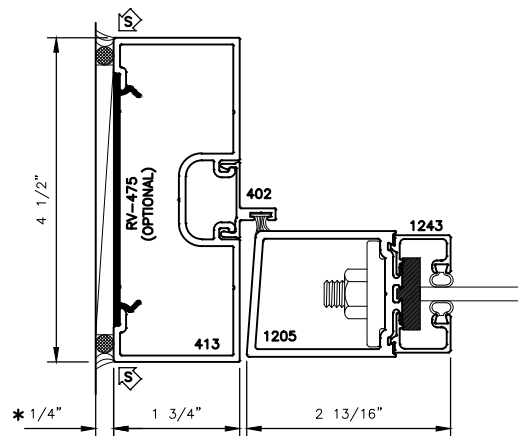


OPT.
7.1

OPT.
6.1



7



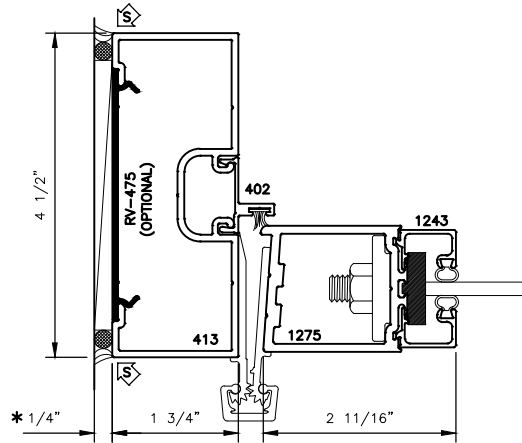
8



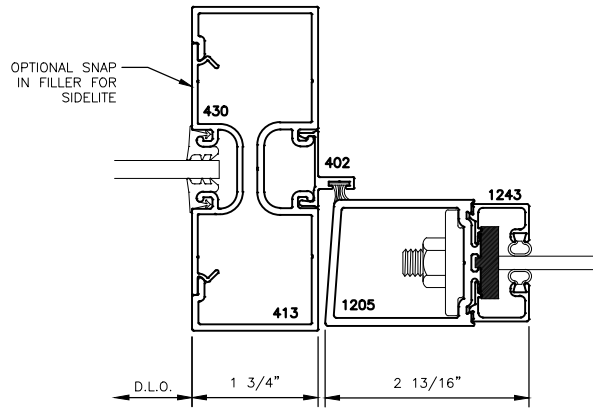
450

1 3/4" X 4 1/2" STOREFRONT DOOR FRAMING WITH 100 SERIES (NARROW STILE) DOOR DETAILS - OFFSET ARM & CONCEALED OVERHEAD CLOSER

* MINIMUM RECOMMENDED FOR THERMAL ISOLATION.
INCREASE AS REQUIRED TO COMPLY WITH SEALANT
MANUFACTURERS' INSTRUCTIONS



□PT,
8.1



□PT,
8.2