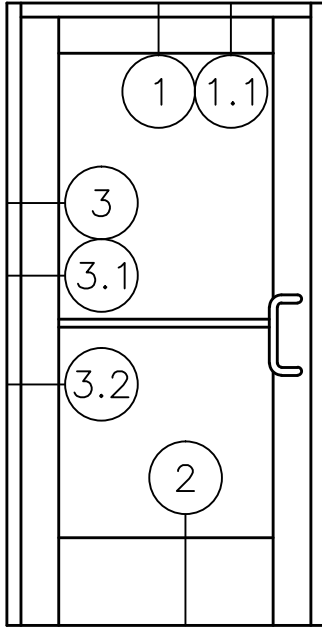


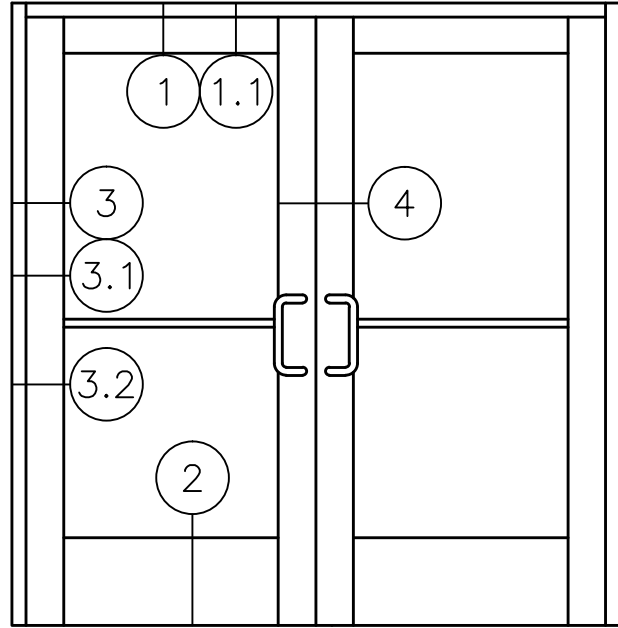


450

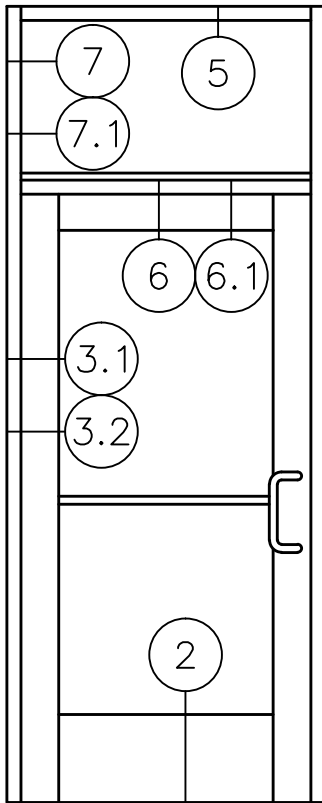
1 3/4" X 4 1/2" STOREFRONT DOOR FRAMING  
 WITH 135 SERIES (MEDIUM STILE)  
 DOOR DETAILS - CENTER PIVOT &  
 CONCEALED OVERHEAD CLOSER



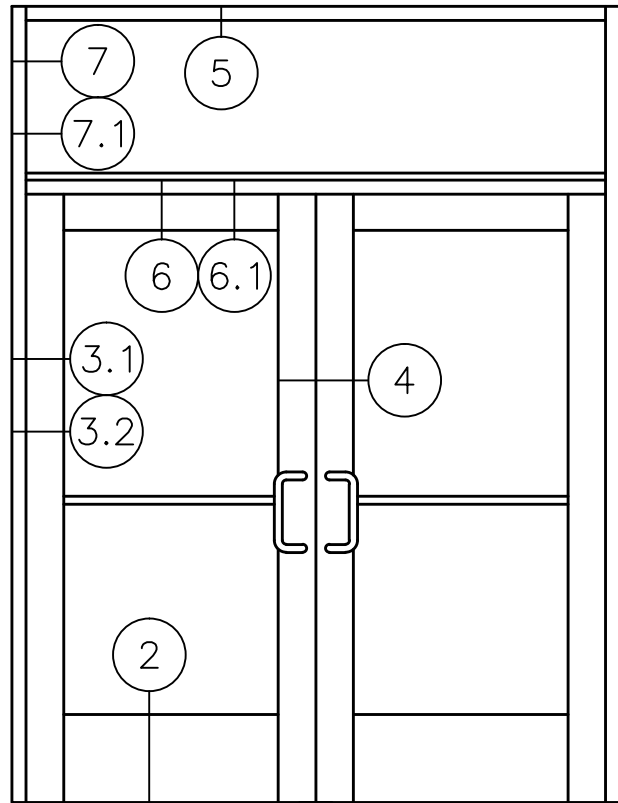
SINGLE DOOR  
 WITHOUT TRANSOM  
 STANDARD CONFIGURATION



PAIR DOORS  
 WITHOUT TRANSOM  
 STANDARD CONFIGURATION



SINGLE DOOR  
 WITH TRANSOM  
 STANDARD CONFIGURATION



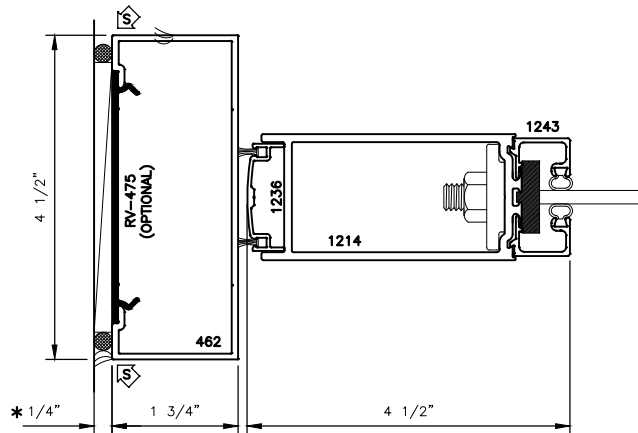
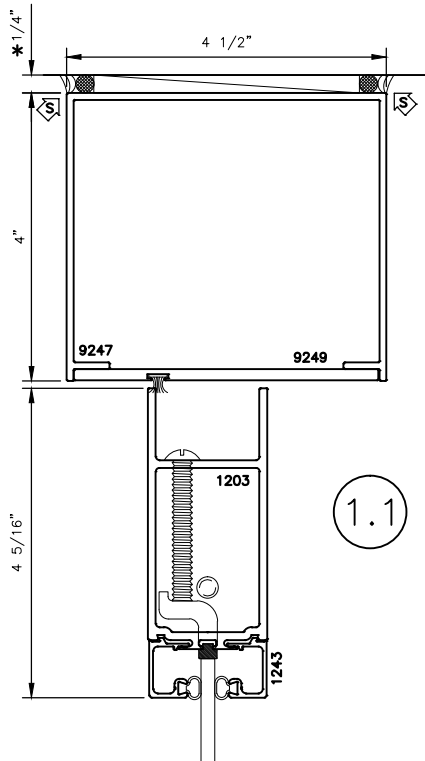
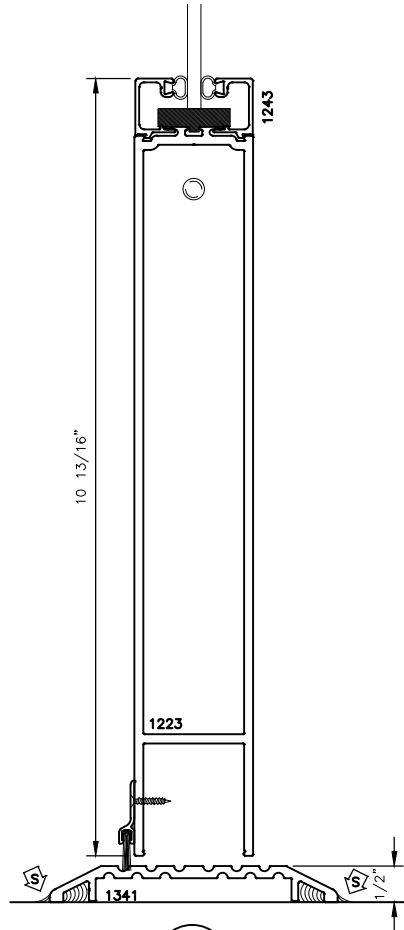
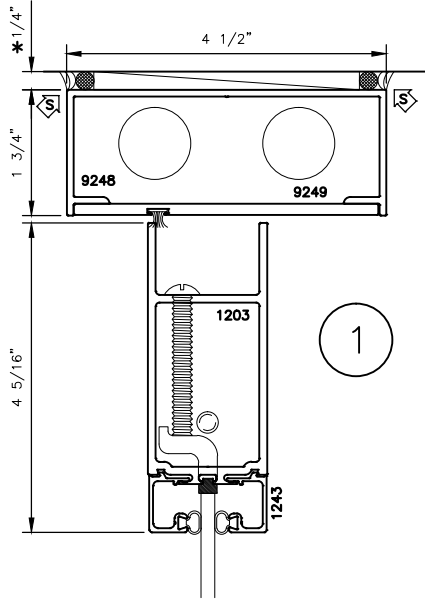
PAIR DOORS  
 WITH TRANSOM  
 STANDARD CONFIGURATION



450

1 3/4" X 4 1/2" STOREFRONT DOOR FRAMING  
WITH 135 SERIES (MEDIUM STILE)  
DOOR DETAILS - CENTER PIVOT &  
CONCEALED OVERHEAD CLOSER

\* MINIMUM RECOMMENDED FOR THERMAL ISOLATION.  
INCREASE AS REQUIRED TO COMPLY WITH SEALANT  
MANUFACTURERS' INSTRUCTIONS



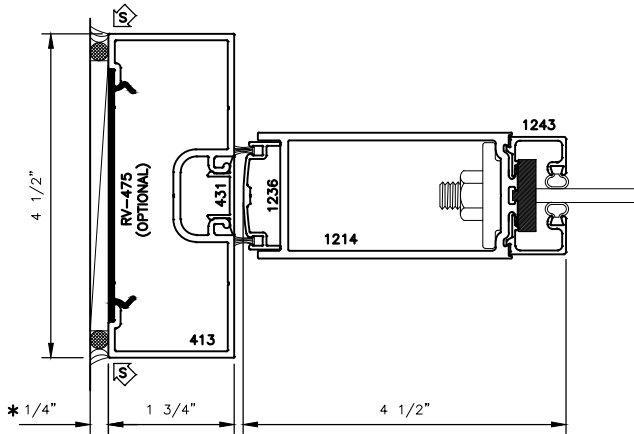
STANDARD SWEEP AND THRESHOLD SHOWN



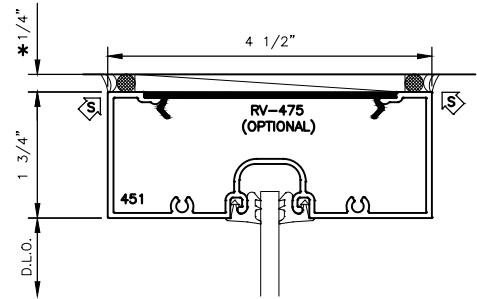
450

1 3/4" X 4 1/2" STOREFRONT DOOR FRAMING  
WITH 135 SERIES (MEDIUM STILE)  
DOOR DETAILS - CENTER PIVOT &  
CONCEALED OVERHEAD CLOSER

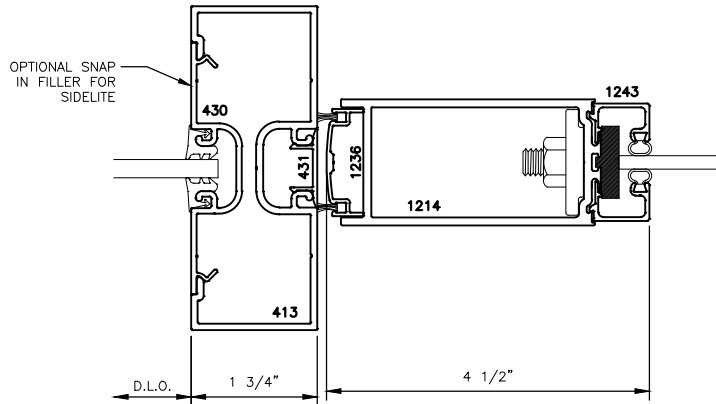
\* MINIMUM RECOMMENDED FOR THERMAL ISOLATION.  
INCREASE AS REQUIRED TO COMPLY WITH SEALANT  
MANUFACTURERS' INSTRUCTIONS



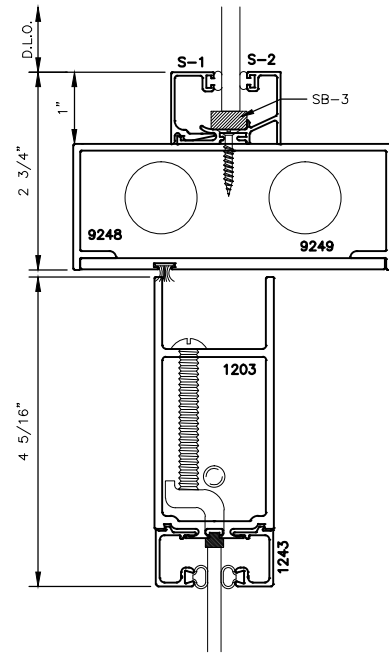
OPT.  
3.1



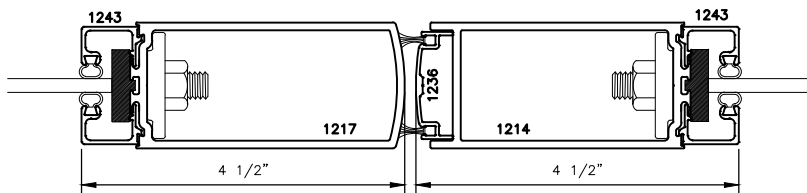
5



OPT.  
3.2



6



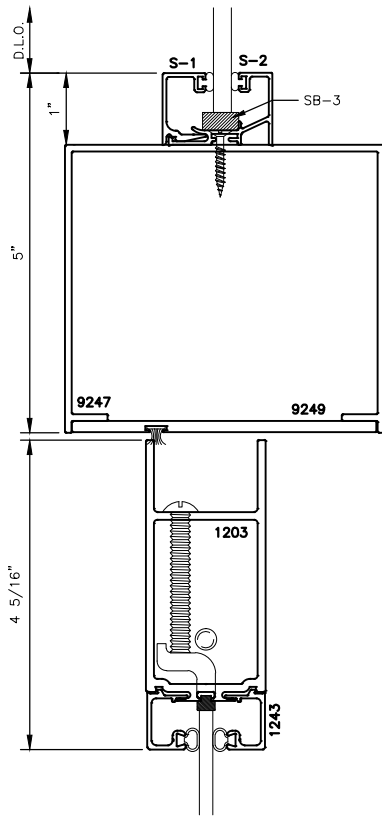
4



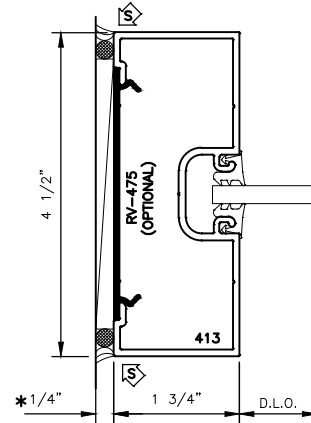
450

**1 3/4" X 4 1/2" STOREFRONT DOOR FRAMING  
WITH 135 SERIES (MEDIUM STILE)  
DOOR DETAILS - CENTER PIVOT &  
CONCEALED OVERHEAD CLOSER**

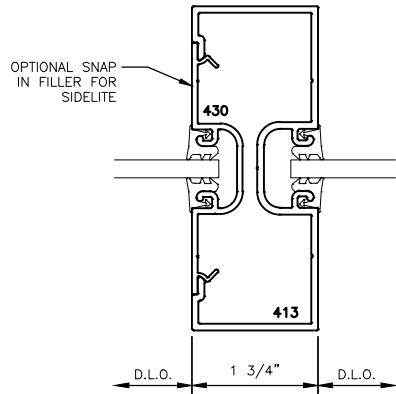
\* MINIMUM RECOMMENDED FOR THERMAL ISOLATION.  
INCREASE AS REQUIRED TO COMPLY WITH SEALANT  
MANUFACTURERS' INSTRUCTIONS



OPT.  
6.1



7



OPT.  
7.1