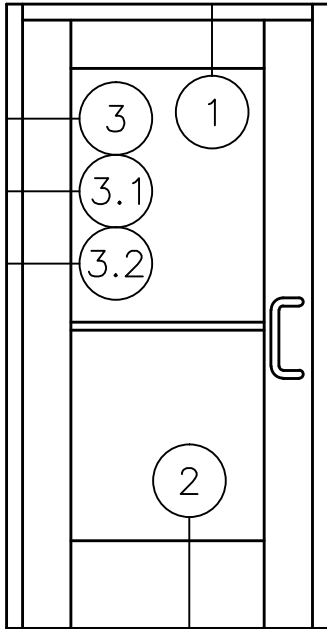


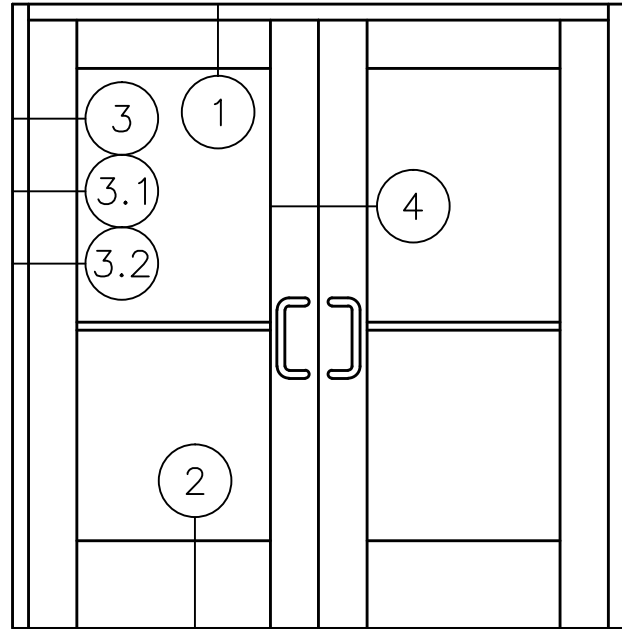


# 2450CG XPT

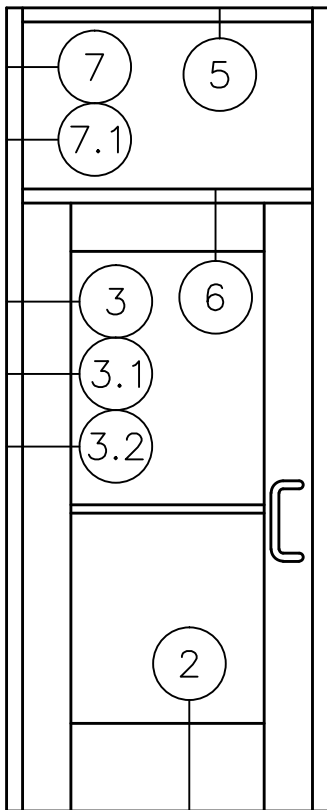
## 2" X 4 1/2" DOUBLE THERMALLY BROKEN STOREFRONT DOOR FRAME WITH 150 SERIES (WIDE STILE) DOOR STANDARD DETAILS



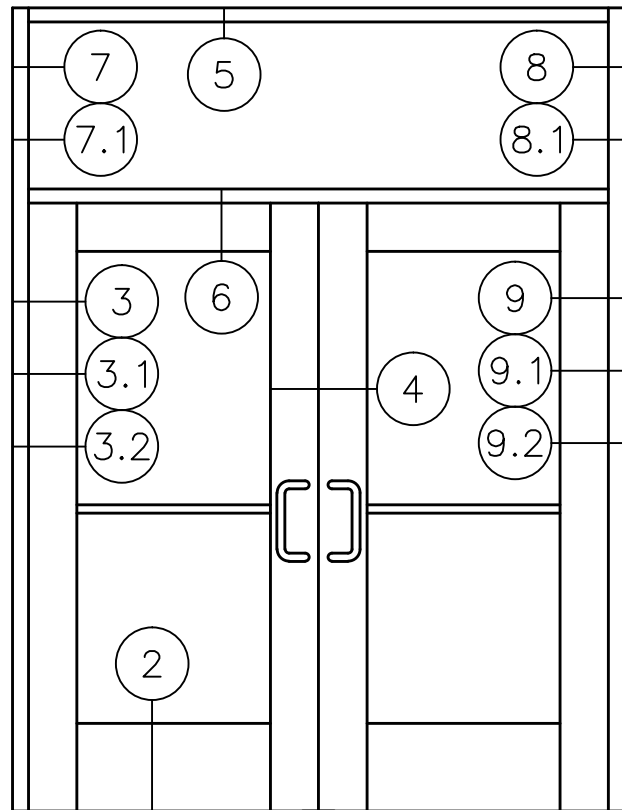
SINGLE DOOR  
WITHOUT TRANSOM  
STANDARD CONFIGURATION



PAIR DOORS  
WITHOUT TRANSOM  
STANDARD CONFIGURATION



SINGLE DOOR  
WITH TRANSOM  
STANDARD CONFIGURATION



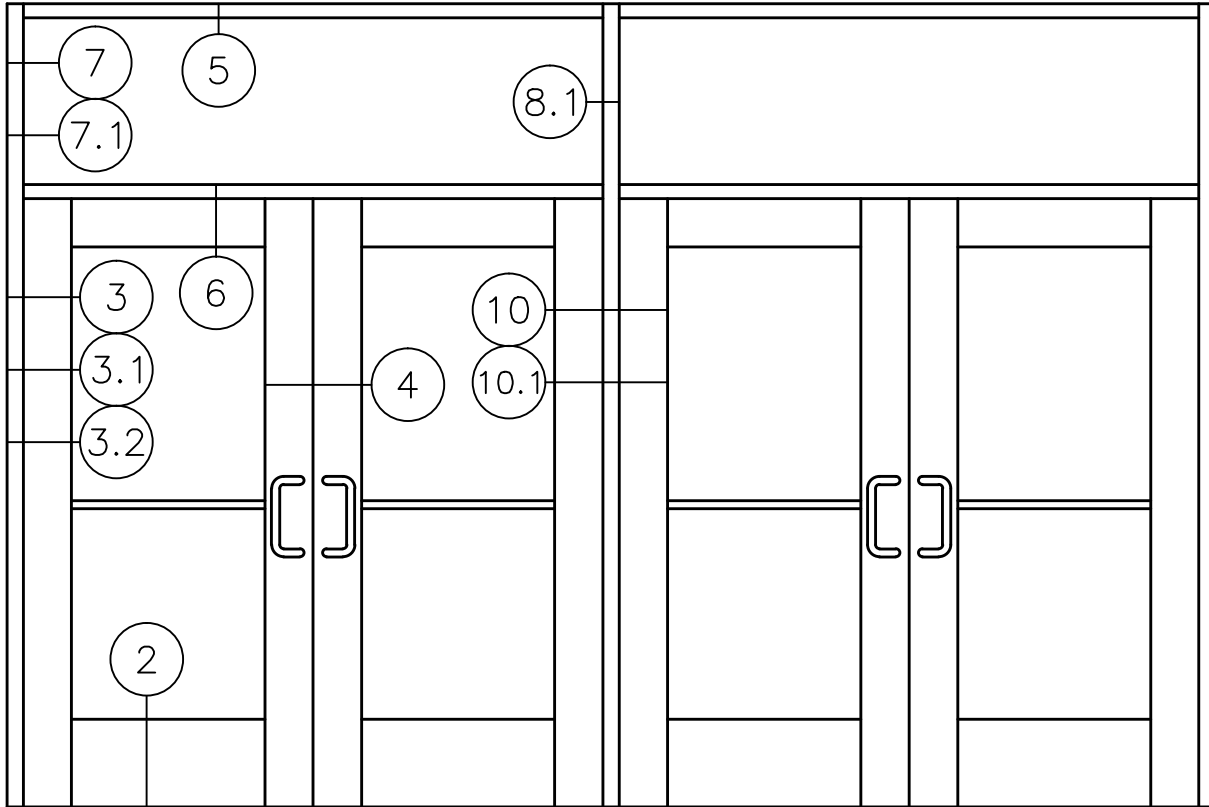
PAIR DOORS  
WITH TRANSOM  
STANDARD CONFIGURATION



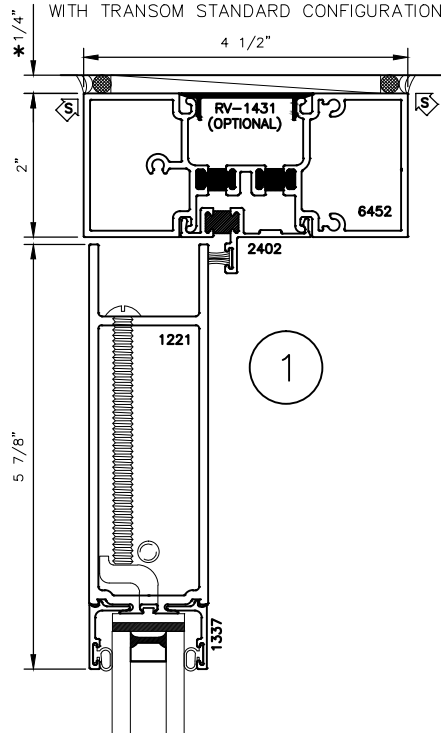
# 2450CG XPT

## 2" X 4 1/2" DOUBLE THERMALLY BROKEN STOREFRONT DOOR FRAME WITH 150 SERIES (WIDE STILE) DOOR STANDARD DETAILS

\* MINIMUM RECOMMENDED FOR THERMAL ISOLATION.  
INCREASE AS REQUIRED TO COMPLY WITH SEALANT  
MANUFACTURERS' INSTRUCTIONS



MULTIPLE PAIR DOORS MULLED TOGETHER  
WITH TRANSOM STANDARD CONFIGURATION

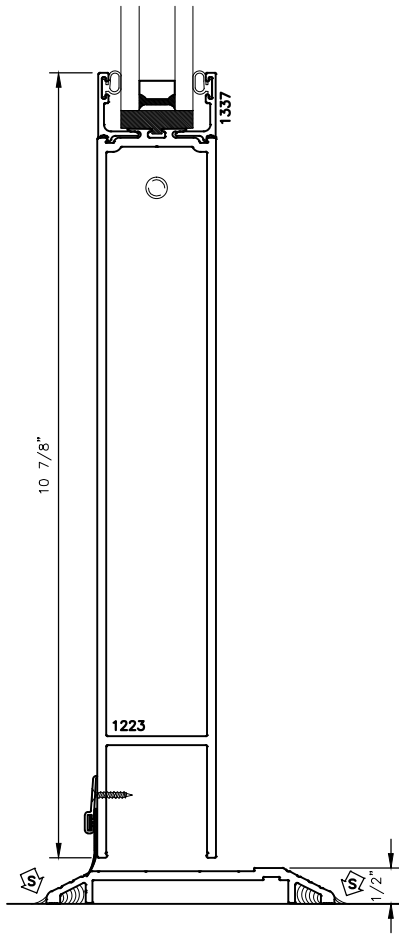




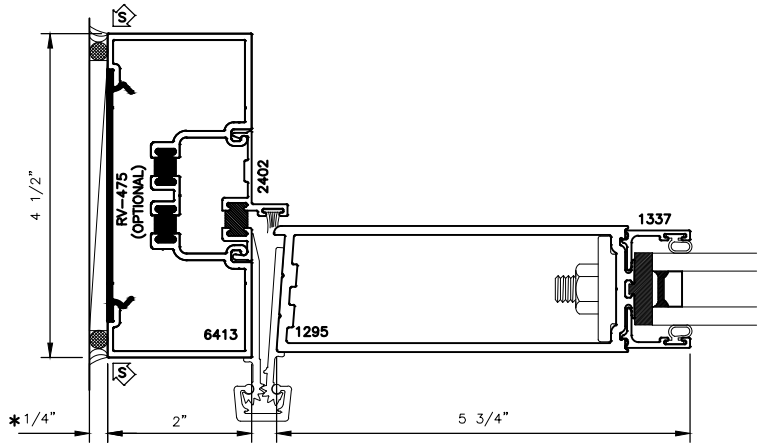
# 2450CG XPT

## 2" X 4 1/2" DOUBLE THERMALLY BROKEN STOREFRONT DOOR FRAME WITH 150 SERIES (WIDE STILE) DOOR STANDARD DETAILS

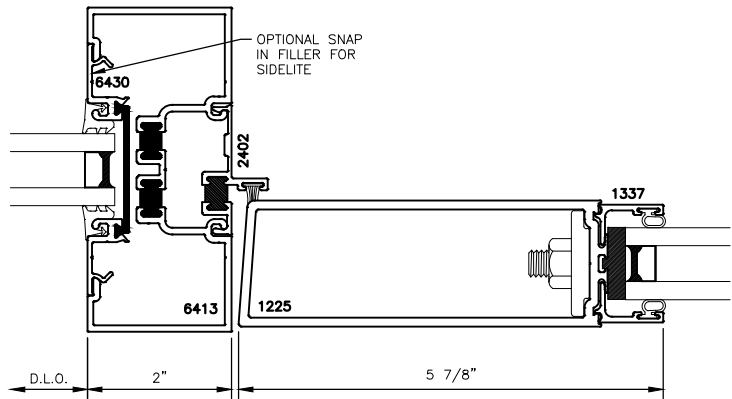
MINIMUM RECOMMENDED FOR THERMAL ISOLATION.  
INCREASE AS REQUIRED TO COMPLY WITH SEALANT  
MANUFACTURERS' INSTRUCTIONS



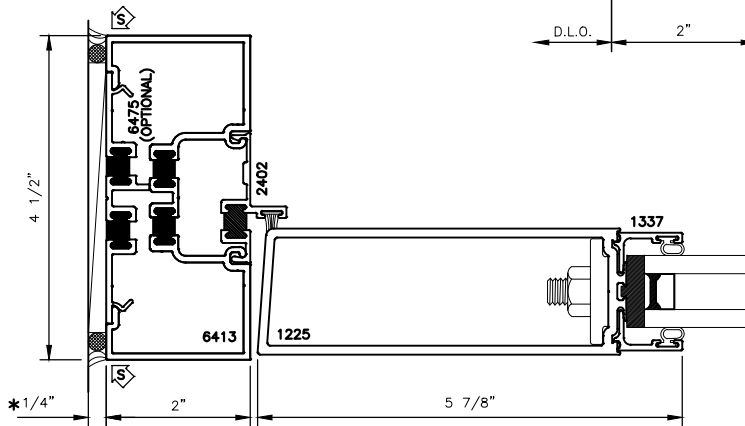
2



OPT.  
3.1



OPT.  
3.2



3

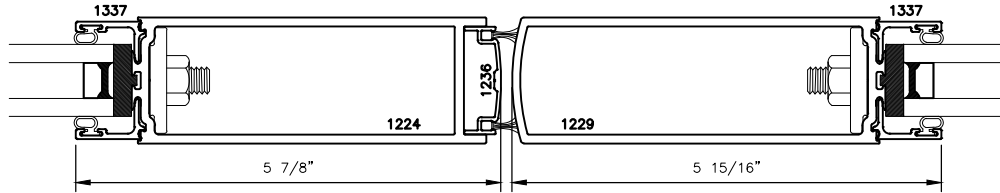
STANDARD SWEEP AND THRESHOLD SHOWN



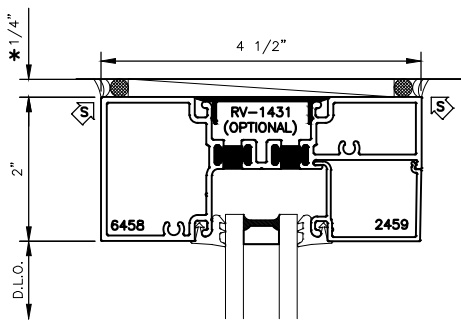
# 2450CG XPT

## 2" X 4 1/2" DOUBLE THERMALLY BROKEN STOREFRONT DOOR FRAME WITH 150 SERIES (WIDE STILE) DOOR STANDARD DETAILS

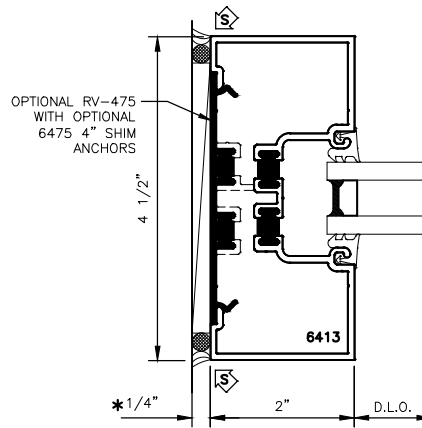
\* MINIMUM RECOMMENDED FOR THERMAL ISOLATION.  
INCREASE AS REQUIRED TO COMPLY WITH SEALANT  
MANUFACTURERS' INSTRUCTIONS



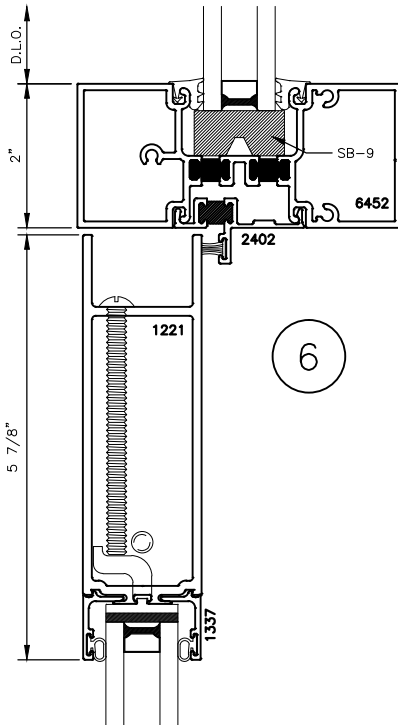
4



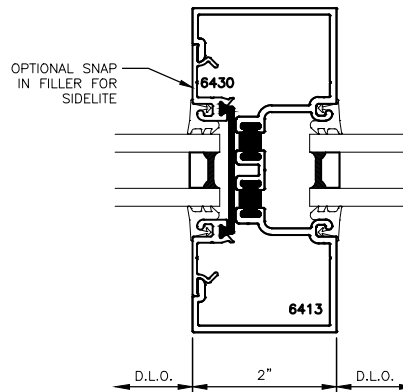
5



7



6



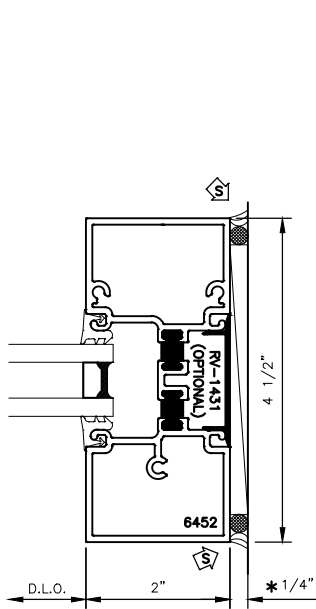
OPT.  
7.1



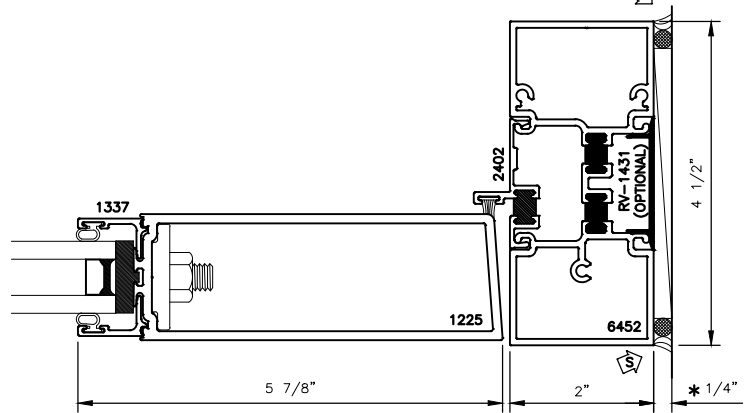
# 2450CG XPT

## 2" X 4 1/2" DOUBLE THERMALLY BROKEN STOREFRONT DOOR FRAME WITH 150 SERIES (WIDE STILE) DOOR STANDARD DETAILS

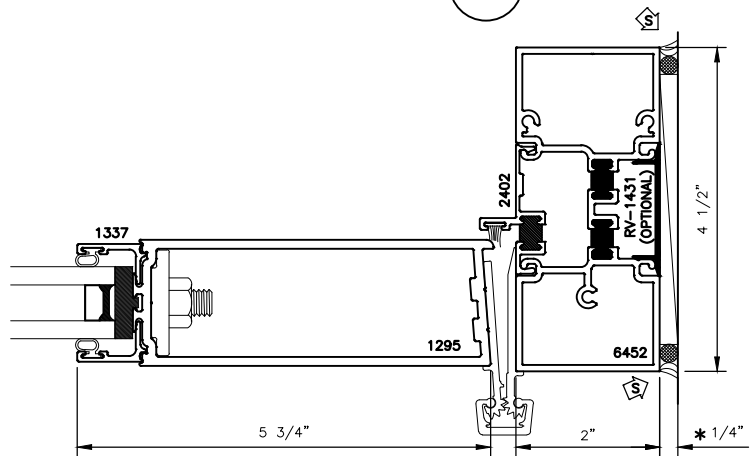
\* MINIMUM RECOMMENDED FOR THERMAL ISOLATION.  
INCREASE AS REQUIRED TO COMPLY WITH SEALANT  
MANUFACTURERS' INSTRUCTIONS



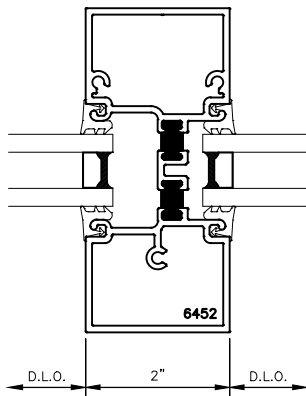
8



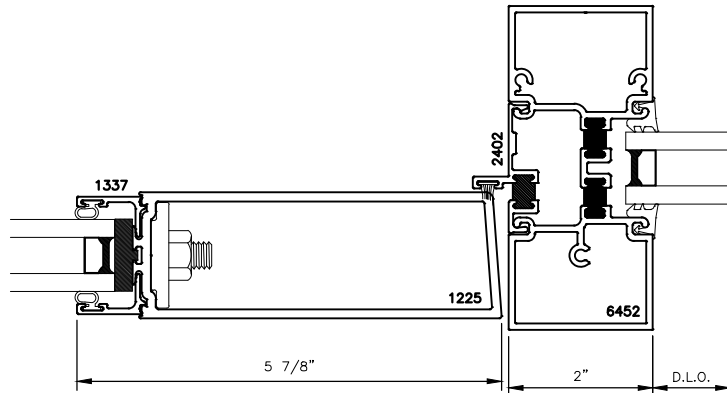
9



OPT.  
9.1



OPT.  
8.1



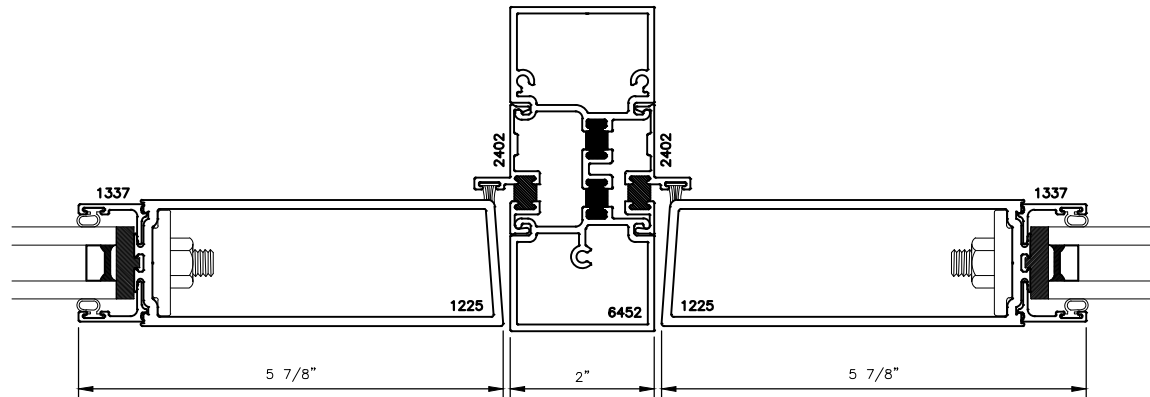
OPT.  
9.2



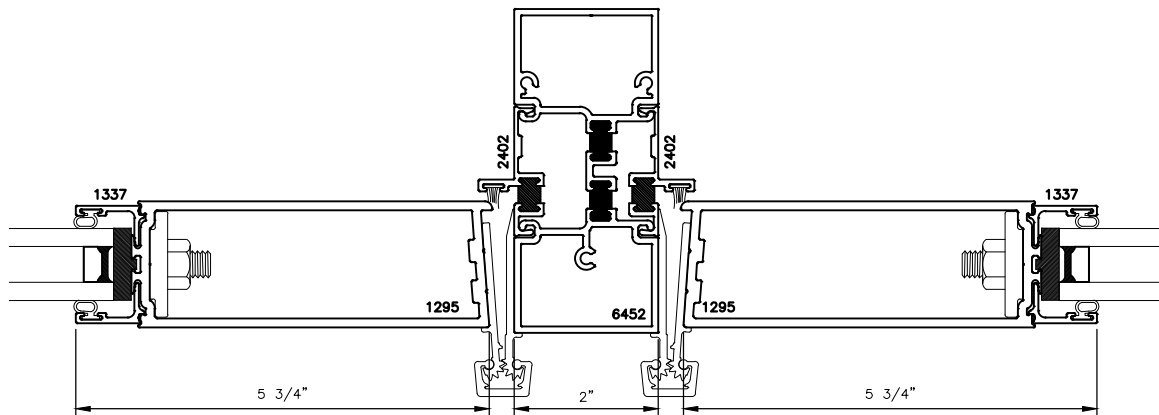
2450CG  
XPT

2" X 4 1/2" DOUBLE THERMALLY  
BROKEN STOREFRONT DOOR FRAME  
WITH 150 SERIES (WIDE STILE)  
DOOR STANDARD DETAILS

\* MINIMUM RECOMMENDED FOR THERMAL ISOLATION.  
INCREASE AS REQUIRED TO COMPLY WITH SEALANT  
MANUFACTURERS' INSTRUCTIONS



10



OPT.

10.1