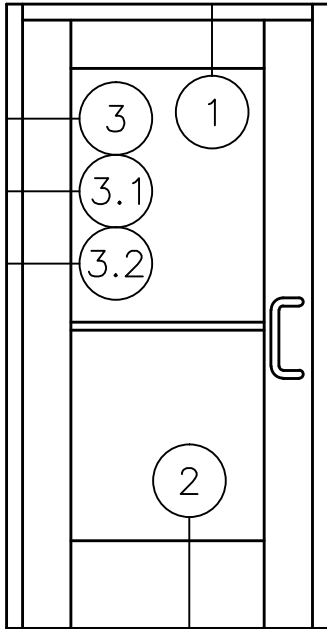


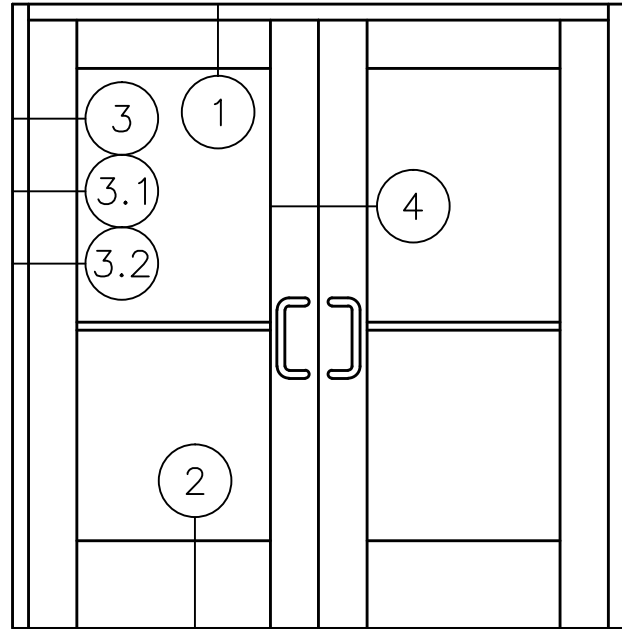


2600XPT

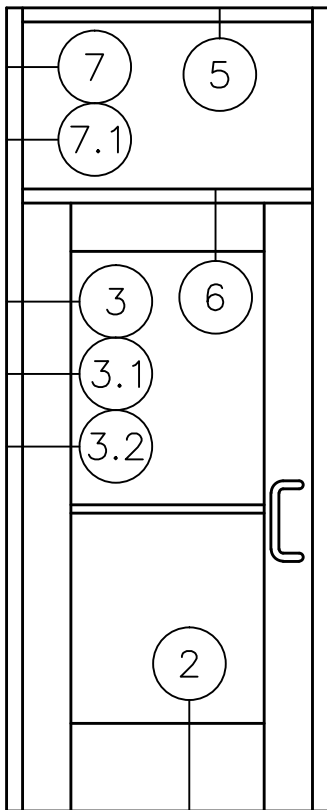
**2" X 6" DOUBLE THERMALLY BROKEN
STOREFRONT DOOR FRAME
WITH 150 SERIES (WIDE STILE)
DOOR STANDARD DETAILS**



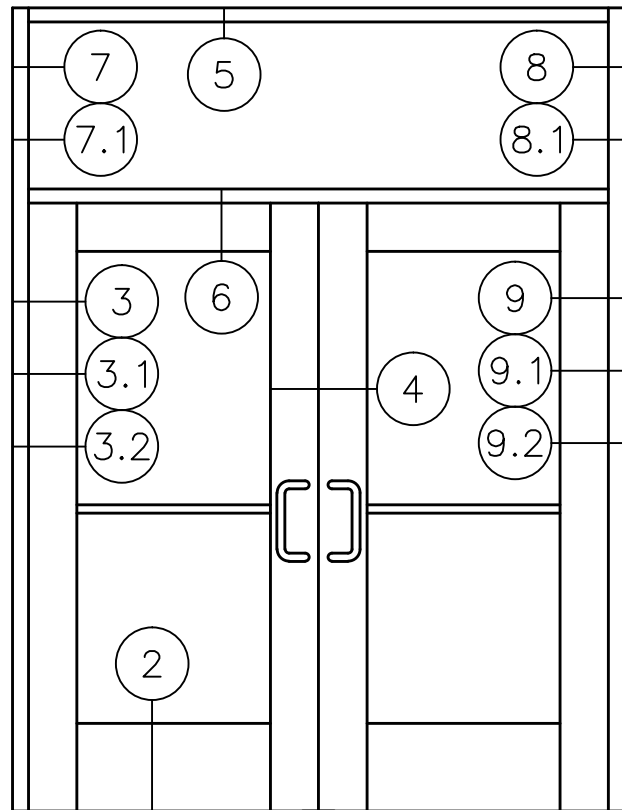
SINGLE DOOR
WITHOUT TRANSOM
STANDARD CONFIGURATION



PAIR DOORS
WITHOUT TRANSOM
STANDARD CONFIGURATION



SINGLE DOOR
WITH TRANSOM
STANDARD CONFIGURATION



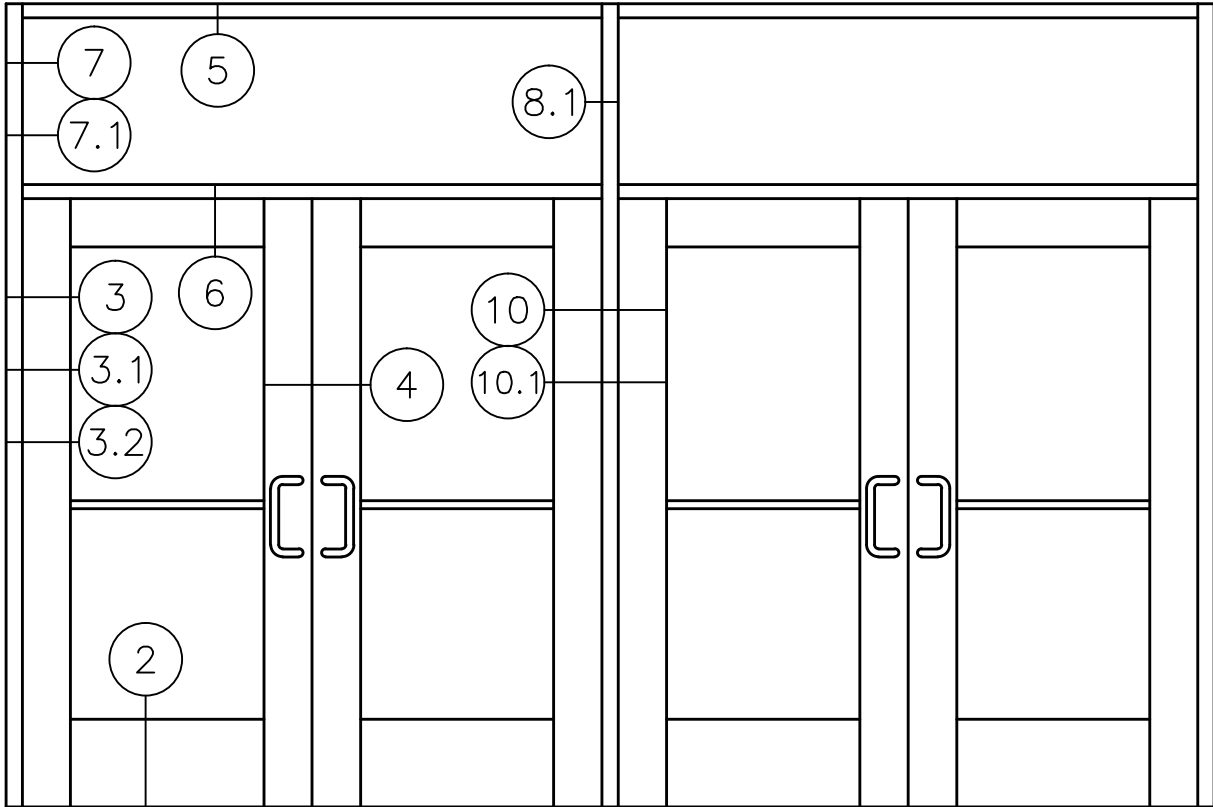
PAIR DOORS
WITH TRANSOM
STANDARD CONFIGURATION



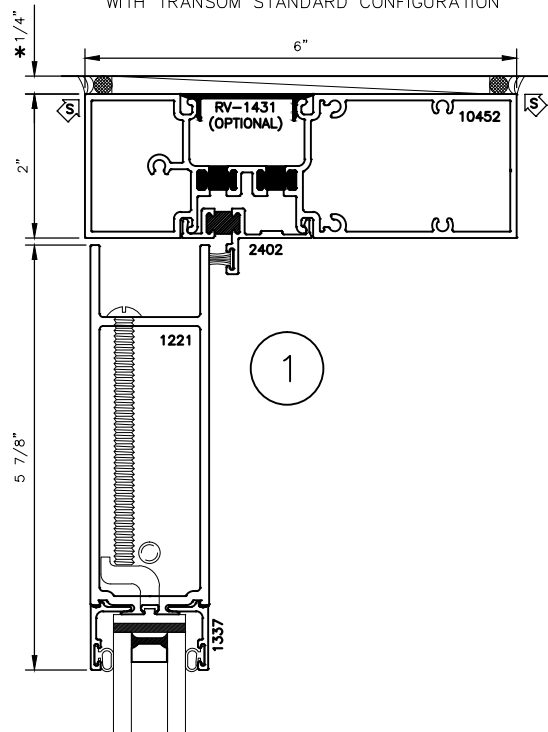
2600XPT

2" X 6" DOUBLE THERMALLY BROKEN STOREFRONT DOOR FRAME WITH 150 SERIES (WIDE STILE) DOOR STANDARD DETAILS

* MINIMUM RECOMMENDED FOR THERMAL ISOLATION.
INCREASE AS REQUIRED TO COMPLY WITH SEALANT
MANUFACTURERS' INSTRUCTIONS



MULTIPLE PAIR DOORS MULLED TOGETHER
WITH TRANSOM STANDARD CONFIGURATION

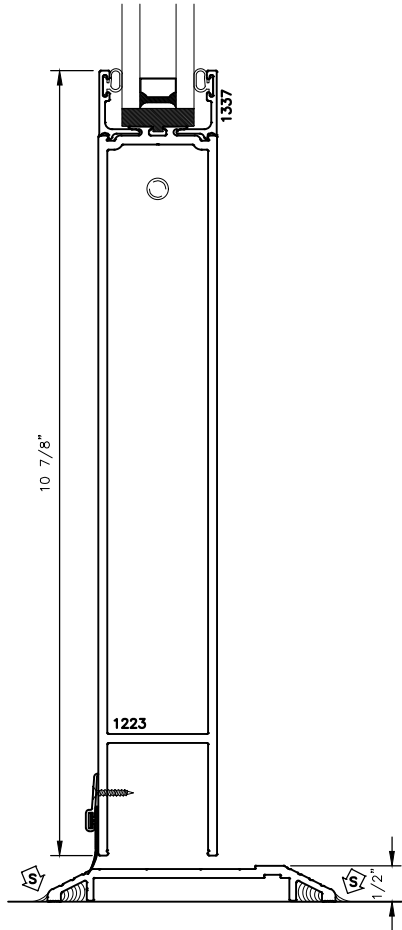




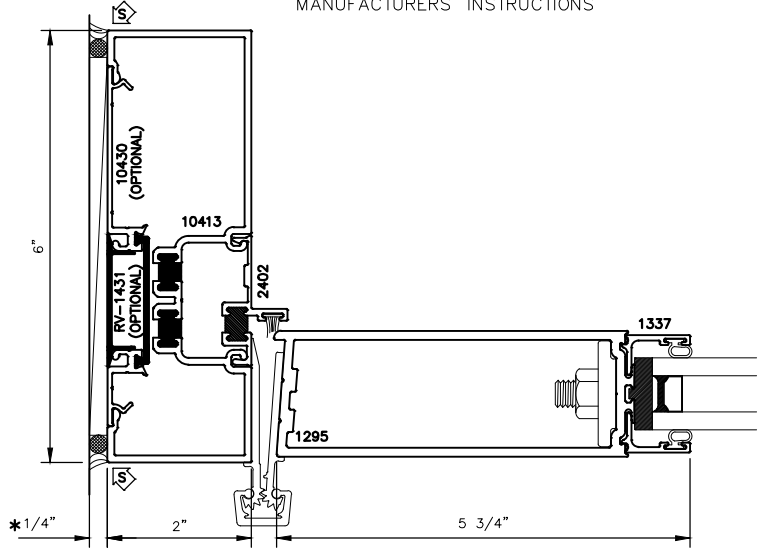
2600XPT

2" X 6" DOUBLE THERMALLY BROKEN STOREFRONT DOOR FRAME WITH 150 SERIES (WIDE STILE) DOOR STANDARD DETAILS

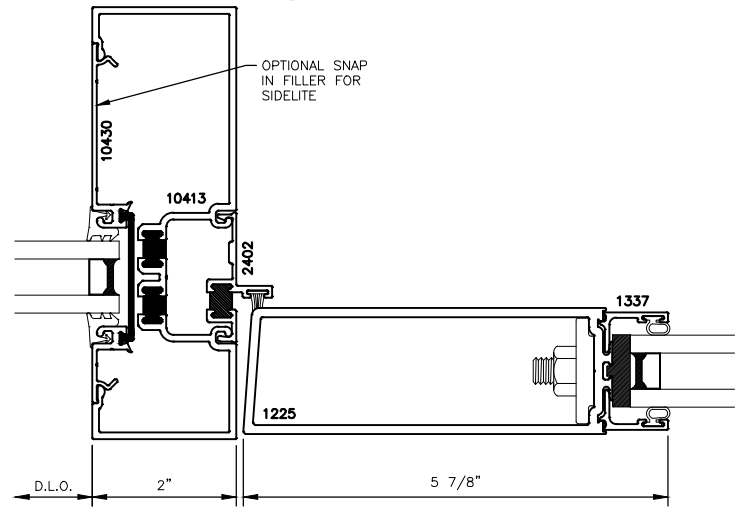
* MINIMUM RECOMMENDED FOR THERMAL ISOLATION.
INCREASE AS REQUIRED TO COMPLY WITH SEALANT
MANUFACTURERS' INSTRUCTIONS



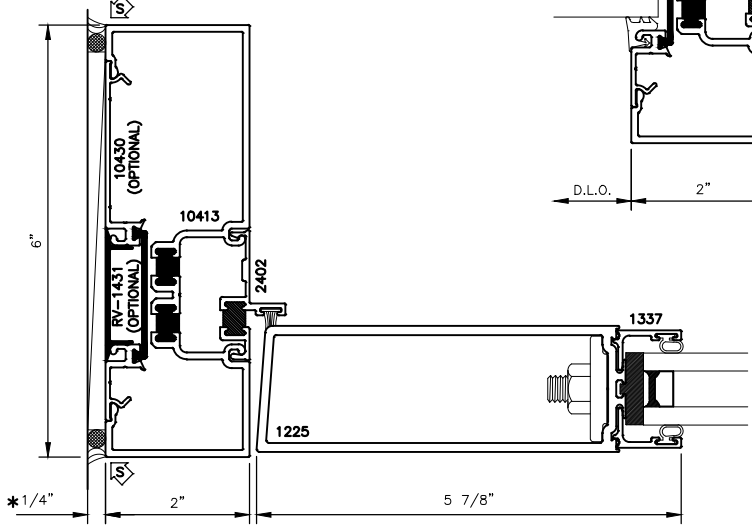
2



OPT.
3.1



OPT.
3.2



3

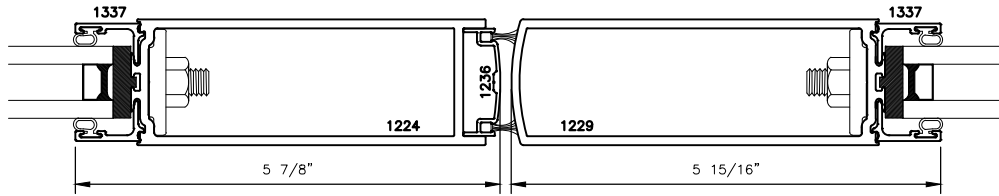
STANDARD SWEEP AND THRESHOLD SHOWN



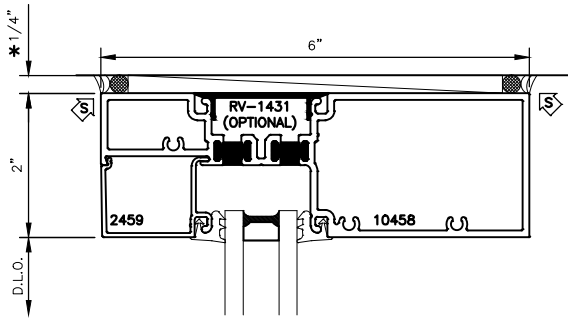
2600XPT

2" X 6" DOUBLE THERMALLY BROKEN STOREFRONT DOOR FRAME WITH 150 SERIES (WIDE STILE) DOOR STANDARD DETAILS

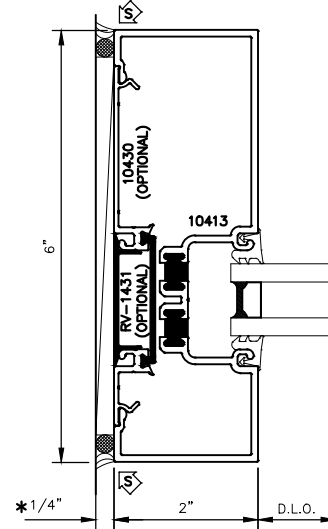
* MINIMUM RECOMMENDED FOR THERMAL ISOLATION.
INCREASE AS REQUIRED TO COMPLY WITH SEALANT
MANUFACTURERS' INSTRUCTIONS



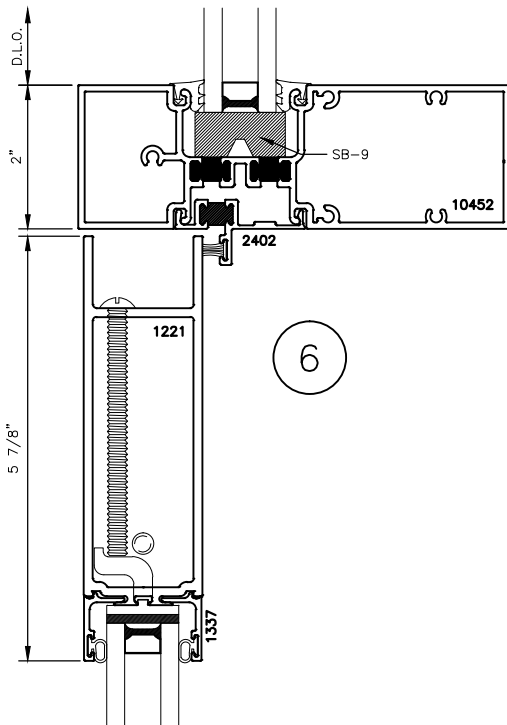
4



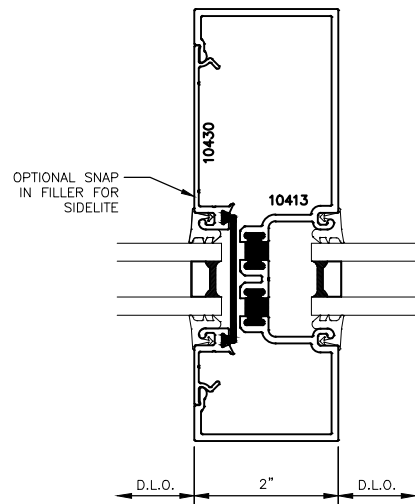
5



7



6



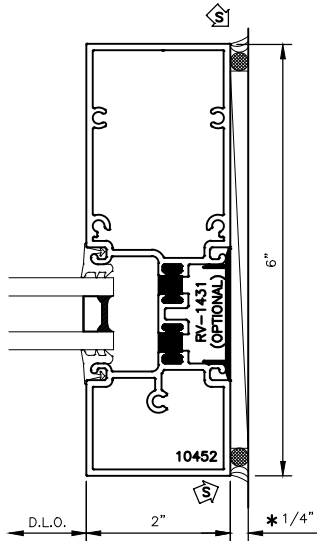
OPT.
7.1



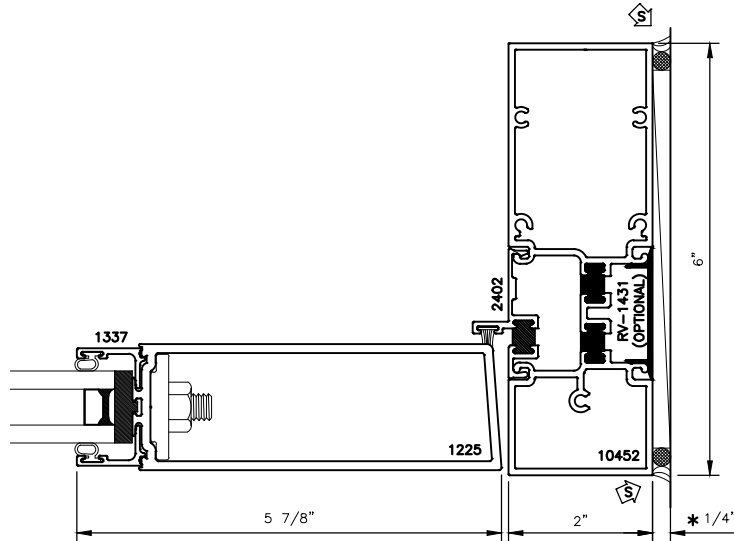
2600XPT

2" X 6" DOUBLE THERMALLY BROKEN STOREFRONT DOOR FRAME WITH 150 SERIES (WIDE STILE) DOOR STANDARD DETAILS

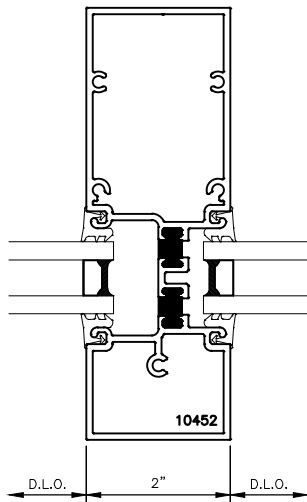
* MINIMUM RECOMMENDED FOR THERMAL ISOLATION.
INCREASE AS REQUIRED TO COMPLY WITH SEALANT
MANUFACTURERS' INSTRUCTIONS



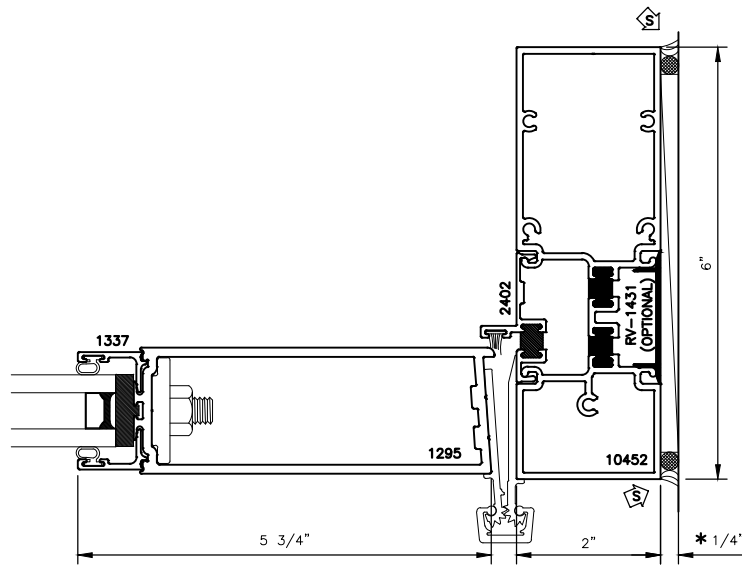
8



9



OPT.
8.1



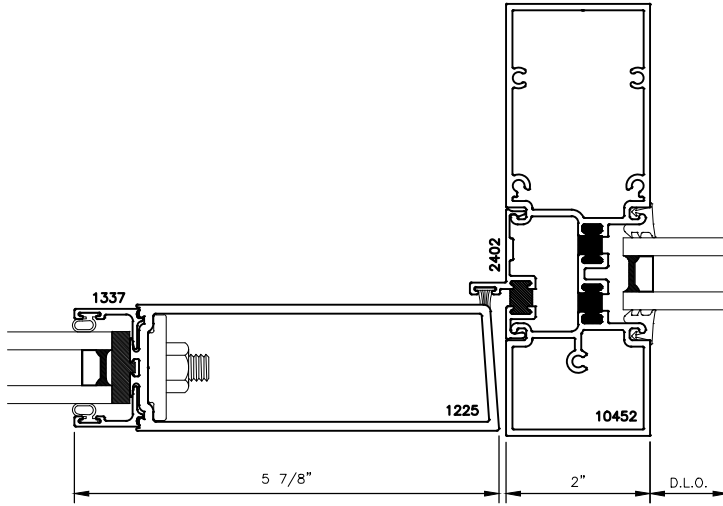
OPT.
9.1



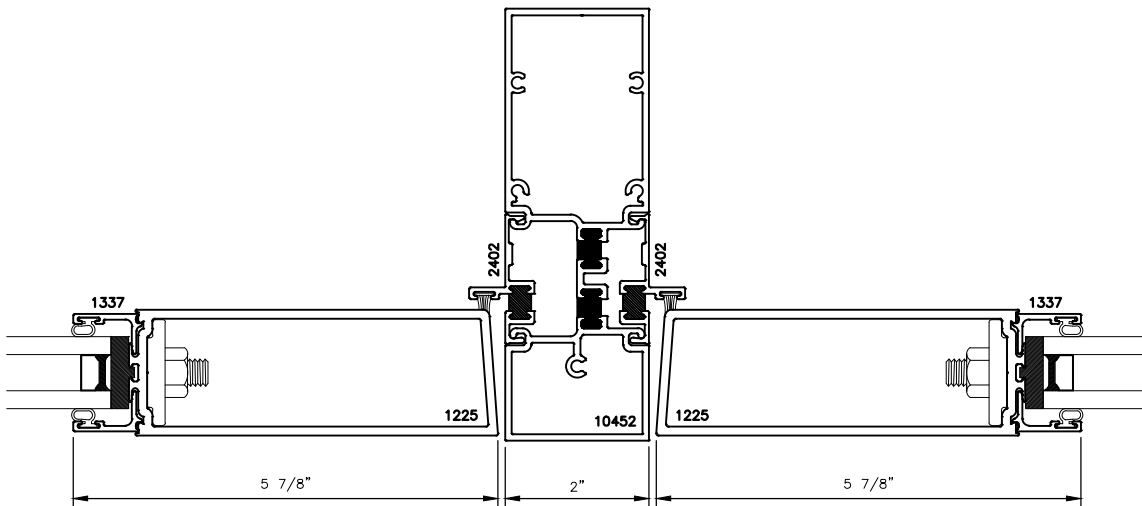
2600XPT

2" X 6" DOUBLE THERMALLY BROKEN
STOREFRONT DOOR FRAME
WITH 150 SERIES (WIDE STILE)
DOOR STANDARD DETAILS

* MINIMUM RECOMMENDED FOR THERMAL ISOLATION.
INCREASE AS REQUIRED TO COMPLY WITH SEALANT
MANUFACTURERS' INSTRUCTIONS



OPT.
9.2



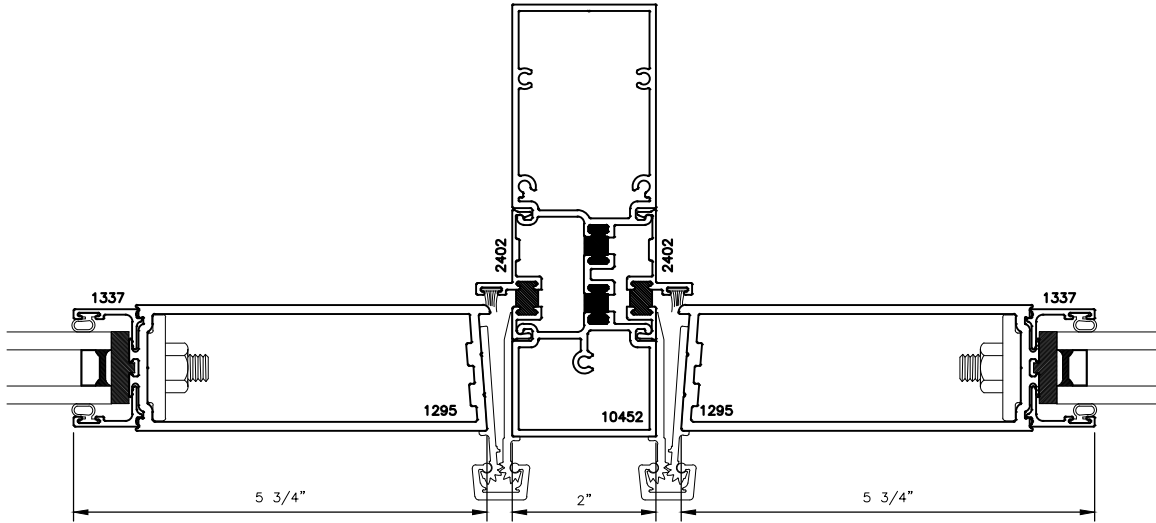
10



2600XPT

2" X 6" DOUBLE THERMALLY BROKEN
STOREFRONT DOOR FRAME
WITH 150 SERIES (WIDE STILE)
DOOR STANDARD DETAILS

* MINIMUM RECOMMENDED FOR THERMAL ISOLATION.
INCREASE AS REQUIRED TO COMPLY WITH SEALANT
MANUFACTURERS' INSTRUCTIONS



OPT.
10.1