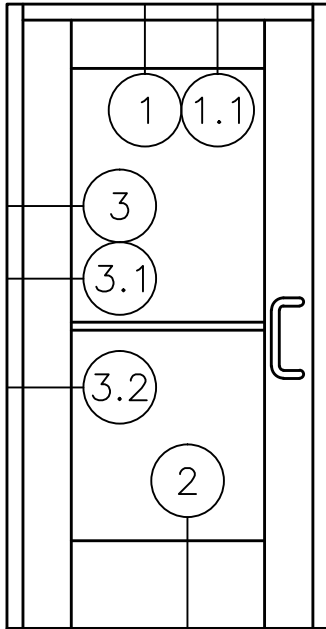


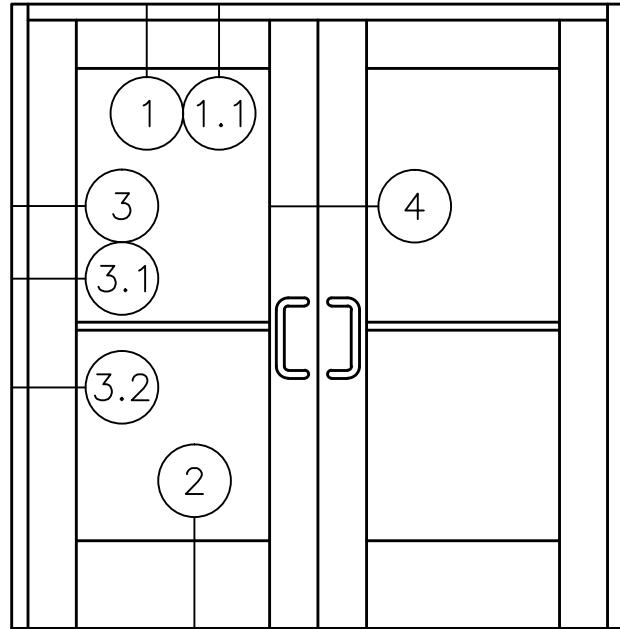


1450

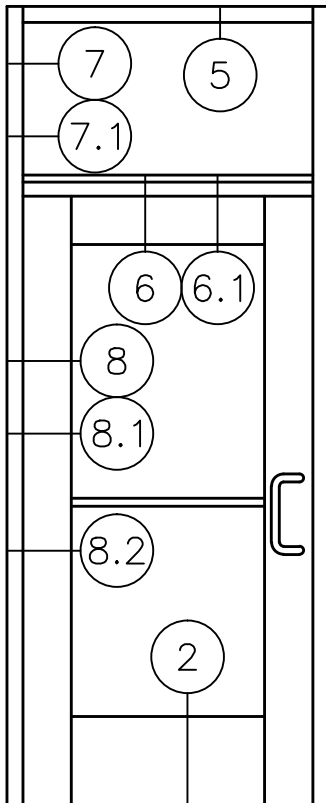
2" X 4 1/2" STOREFRONT DOOR FRAMING  
WITH 150 SERIES (WIDE STILE)  
DOOR DETAILS - OFFSET ARM &  
CONCEALED OVERHEAD CLOSER



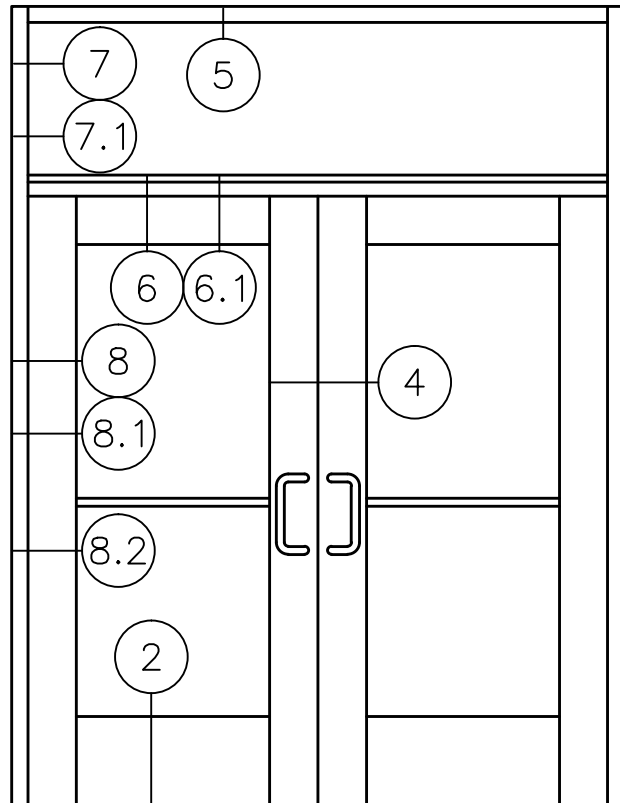
SINGLE DOOR  
WITHOUT TRANSOM  
STANDARD CONFIGURATION



PAIR DOORS  
WITHOUT TRANSOM  
STANDARD CONFIGURATION



SINGLE DOOR  
WITH TRANSOM  
STANDARD CONFIGURATION



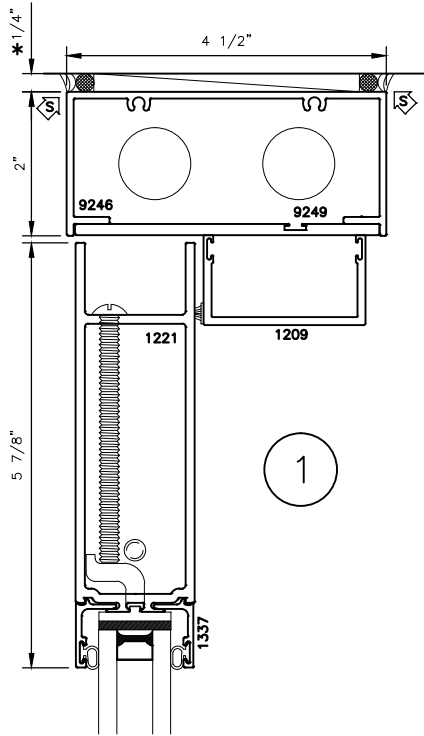
PAIR DOORS  
WITH TRANSOM  
STANDARD CONFIGURATION



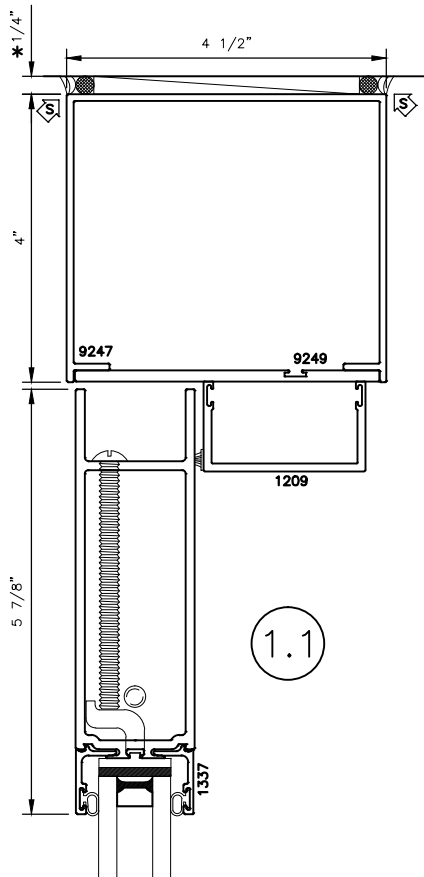
1450

# 2" X 4 1/2" STOREFRONT DOOR FRAMING WITH 150 SERIES (WIDE STILE) DOOR DETAILS - OFFSET ARM & CONCEALED OVERHEAD CLOSER

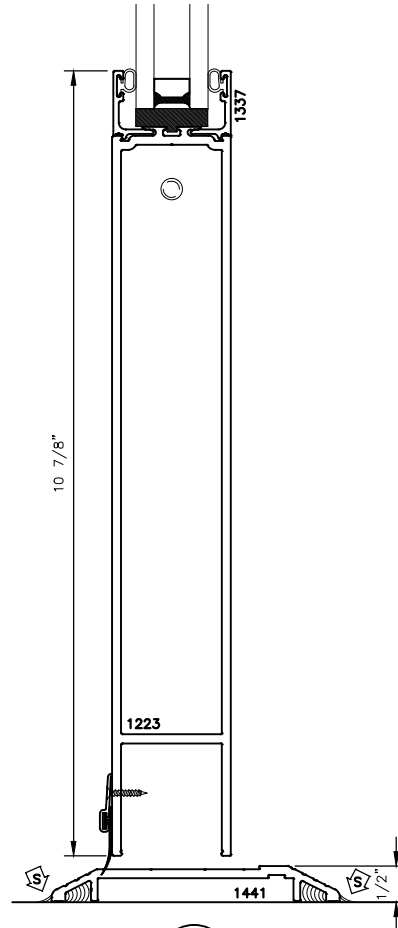
\* MINIMUM RECOMMENDED FOR THERMAL ISOLATION.  
INCREASE AS REQUIRED TO COMPLY WITH SEALANT  
MANUFACTURERS' INSTRUCTIONS



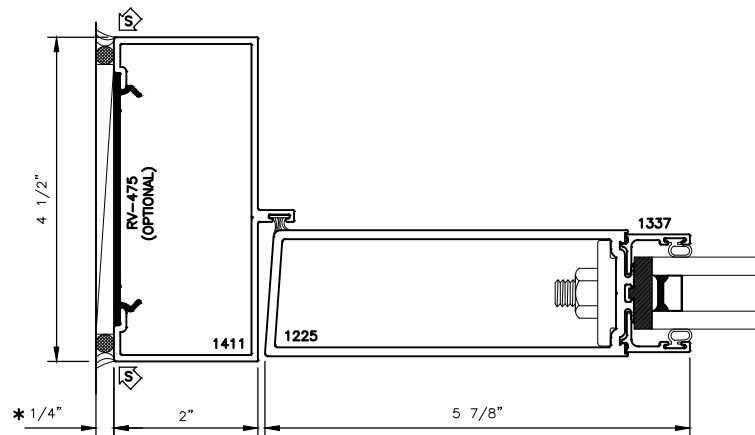
1



1.1



2



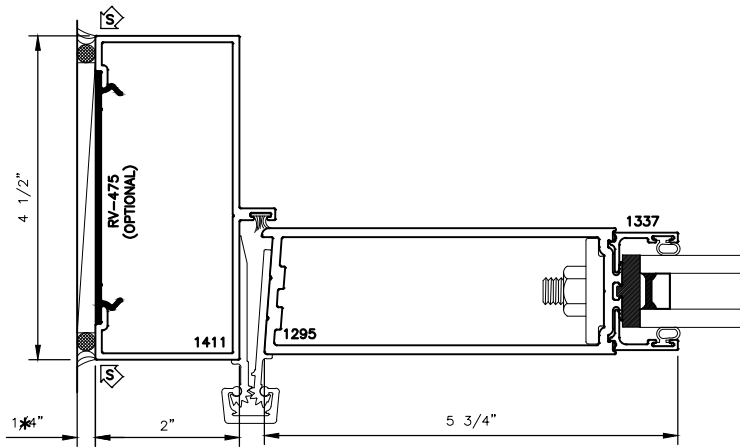
3



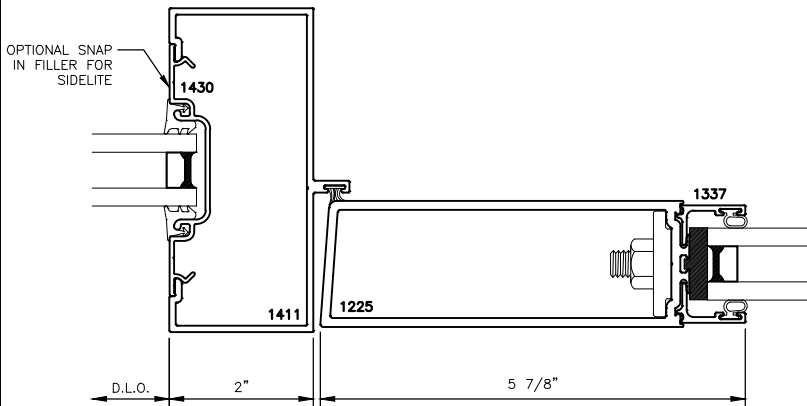
1450

2" X 4 1/2" STOREFRONT DOOR FRAMING  
WITH 150 SERIES (WIDE STILE)  
DOOR DETAILS - OFFSET ARM &  
CONCEALED OVERHEAD CLOSER

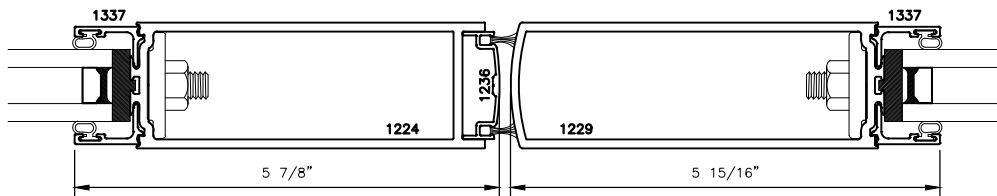
\* MINIMUM RECOMMENDED FOR THERMAL ISOLATION.  
INCREASE AS REQUIRED TO COMPLY WITH SEALANT  
MANUFACTURERS' INSTRUCTIONS



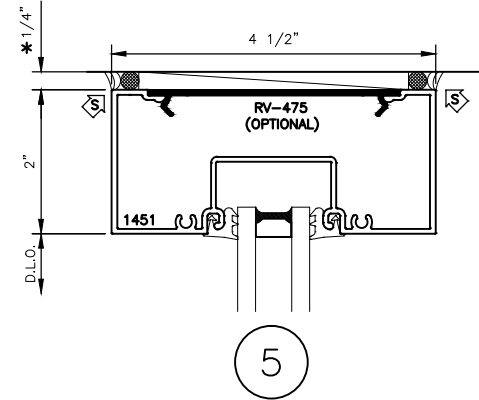
OPT.  
3.1



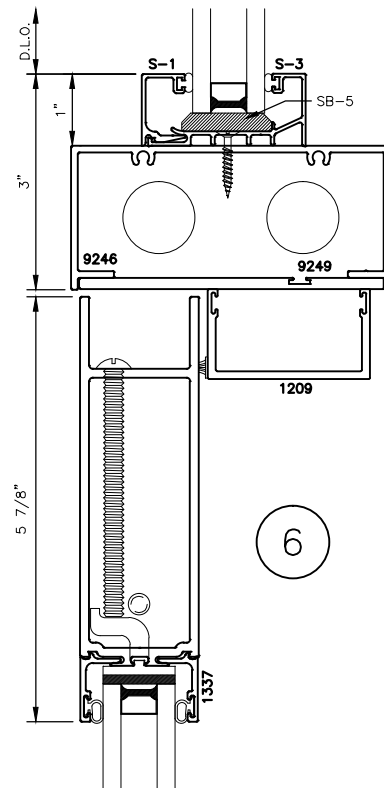
OPT.  
3.2



4



5



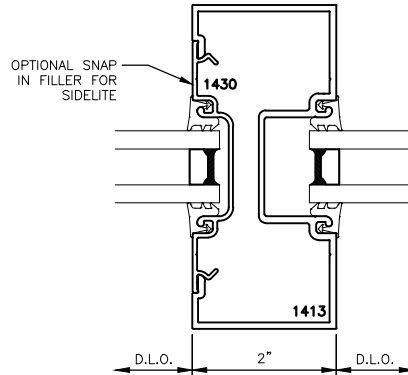
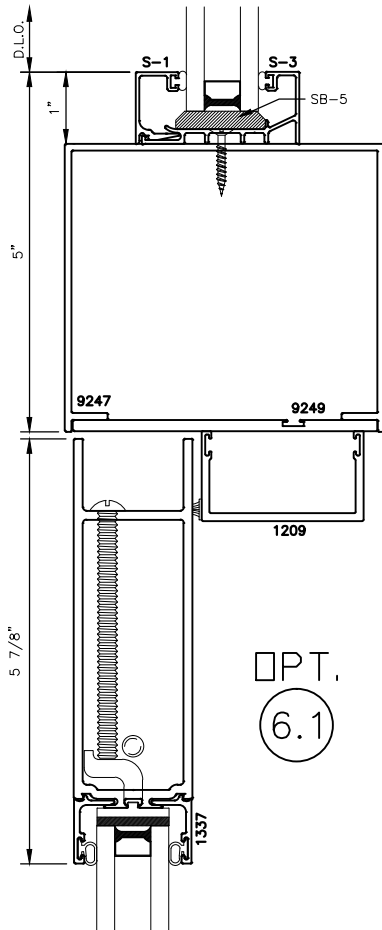
6



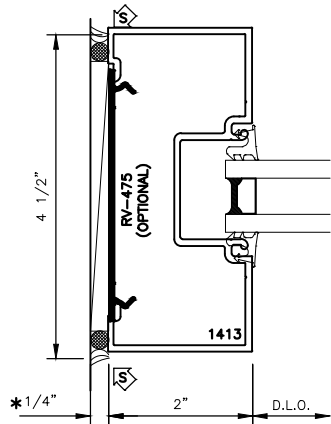
1450

2" X 4 1/2" STOREFRONT DOOR FRAMING  
 WITH 150 SERIES (WIDE STILE)  
 DOOR DETAILS - OFFSET ARM &  
 CONCEALED OVERHEAD CLOSER

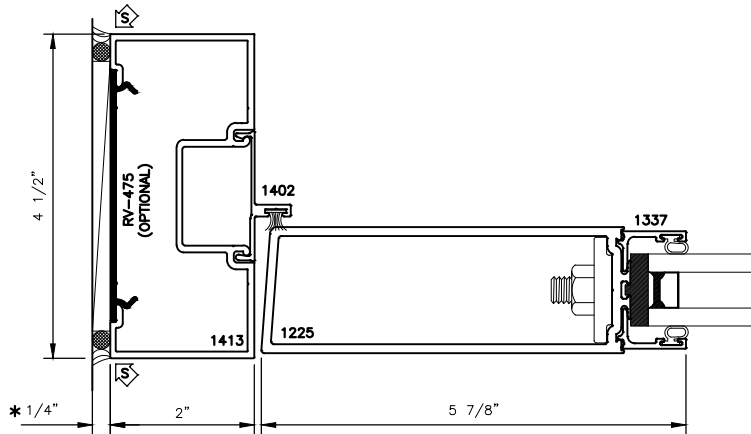
\* MINIMUM RECOMMENDED FOR THERMAL ISOLATION.  
 INCREASE AS REQUIRED TO COMPLY WITH SEALANT  
 MANUFACTURERS' INSTRUCTIONS



OPT.  
 7.1



7



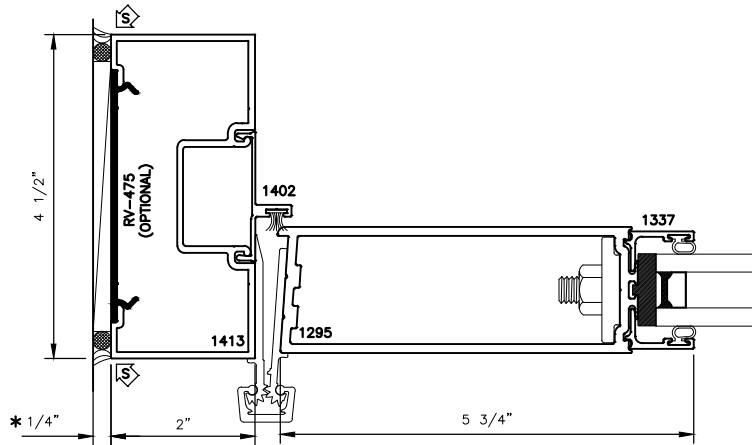
8



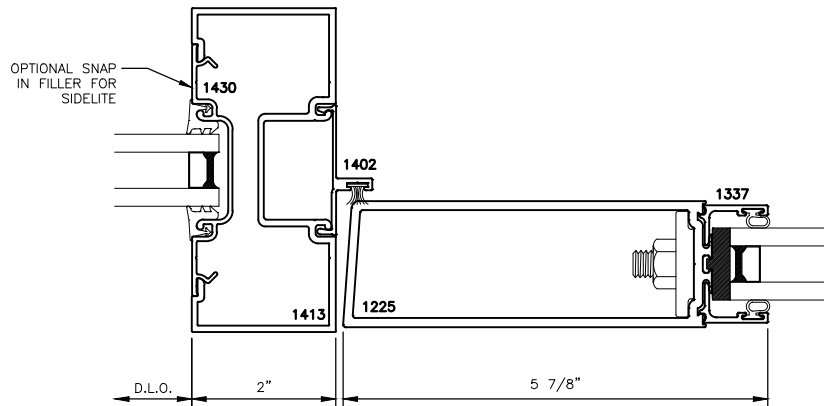
1450

2" X 4 1/2" STOREFRONT DOOR FRAMING  
WITH 150 SERIES (WIDE STILE)  
DOOR DETAILS - OFFSET ARM &  
CONCEALED OVERHEAD CLOSER

\* MINIMUM RECOMMENDED FOR THERMAL ISOLATION.  
INCREASE AS REQUIRED TO COMPLY WITH SEALANT  
MANUFACTURERS' INSTRUCTIONS



OPT.  
8.1



OPT.  
8.2