

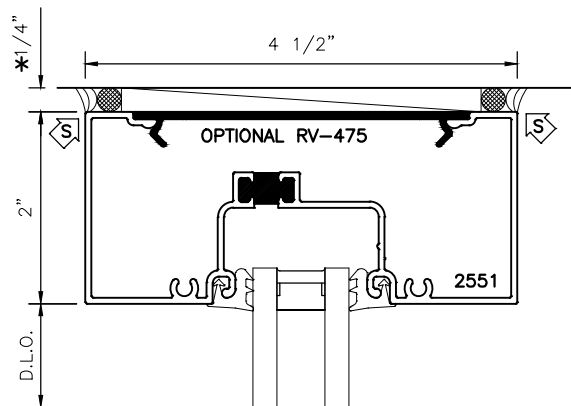
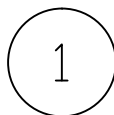
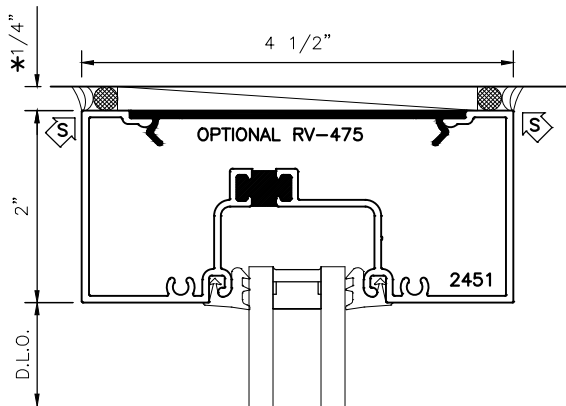
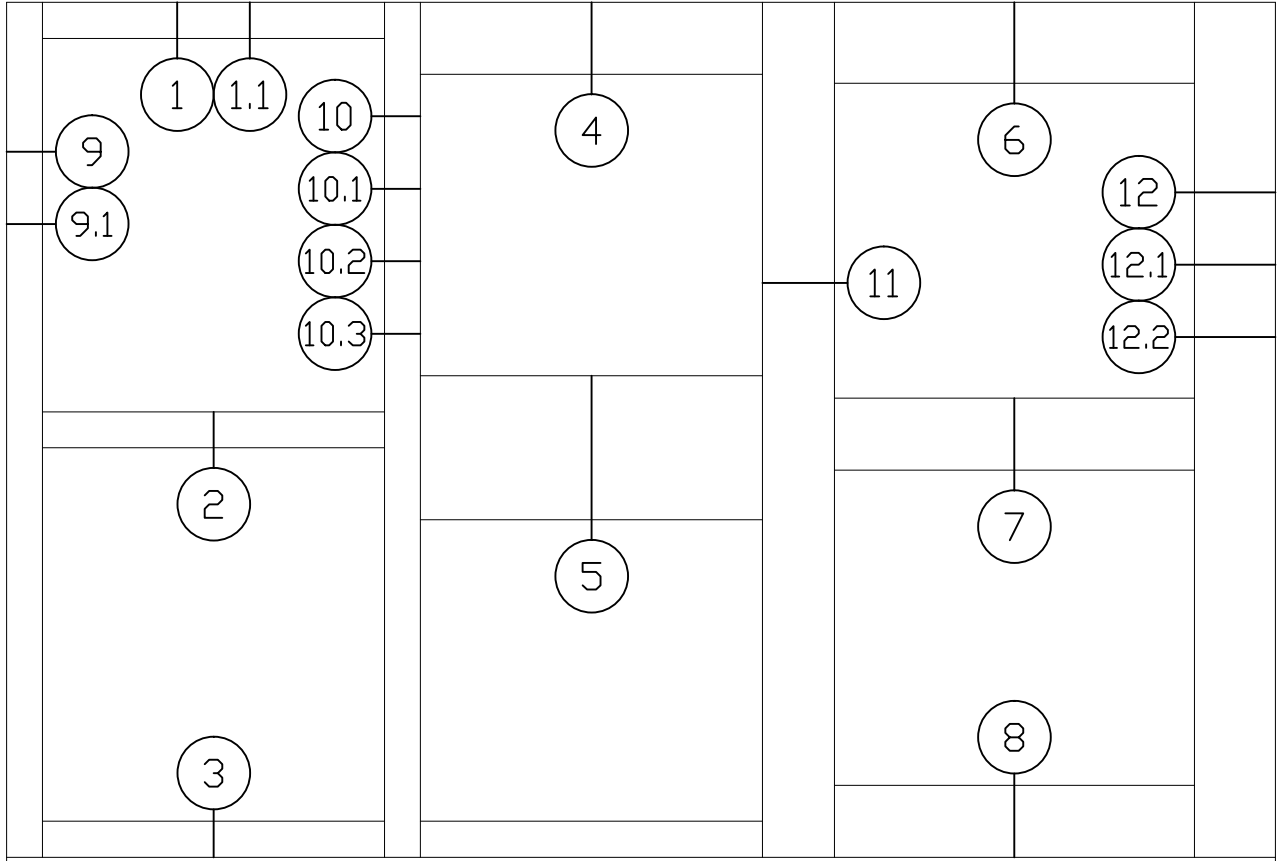


MANKO

2450CG

4 1/2" CENTER GLAZED THERMALLY BROKEN STOREFRONT STANDARD/OPTIONAL DETAILS

* MINIMUM RECOMMENDED FOR THERMAL ISOLATION.
INCREASE AS REQUIRED TO COMPLY WITH SEALANT
MANUFACTURERS' INSTRUCTIONS



OPT.



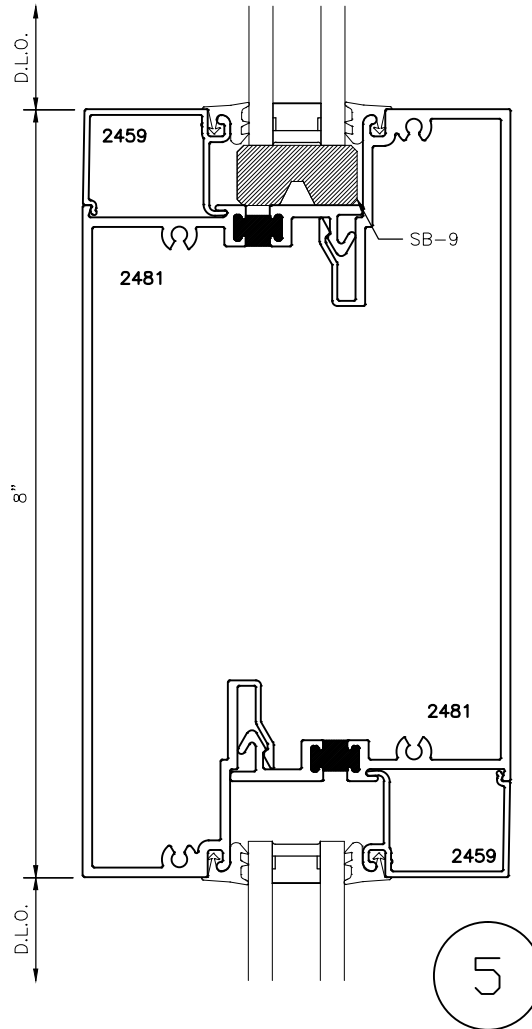
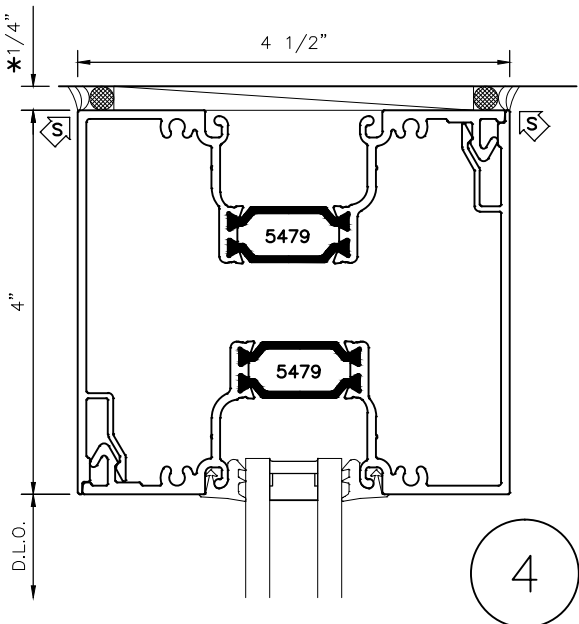
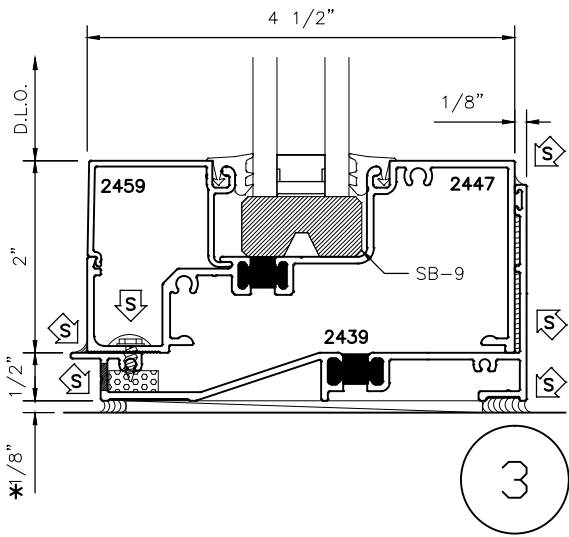
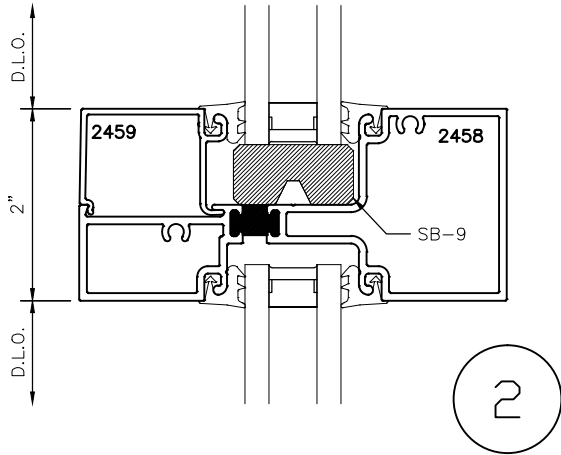


MANKO

2450CG

4 1/2" CENTER GLAZED THERMALLY BROKEN STOREFRONT STANDARD/OPTIONAL DETAILS

* MINIMUM RECOMMENDED FOR THERMAL ISOLATION.
INCREASE AS REQUIRED TO COMPLY WITH SEALANT
MANUFACTURERS' INSTRUCTIONS



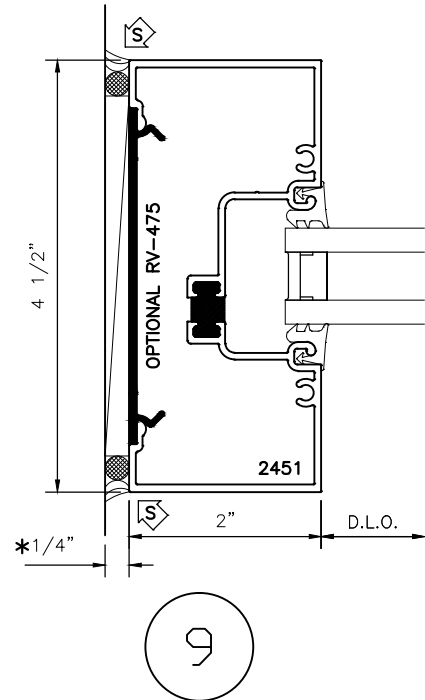
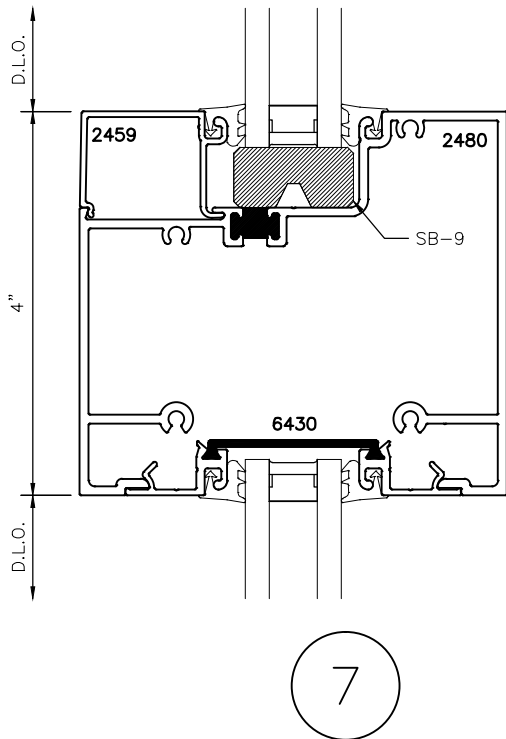
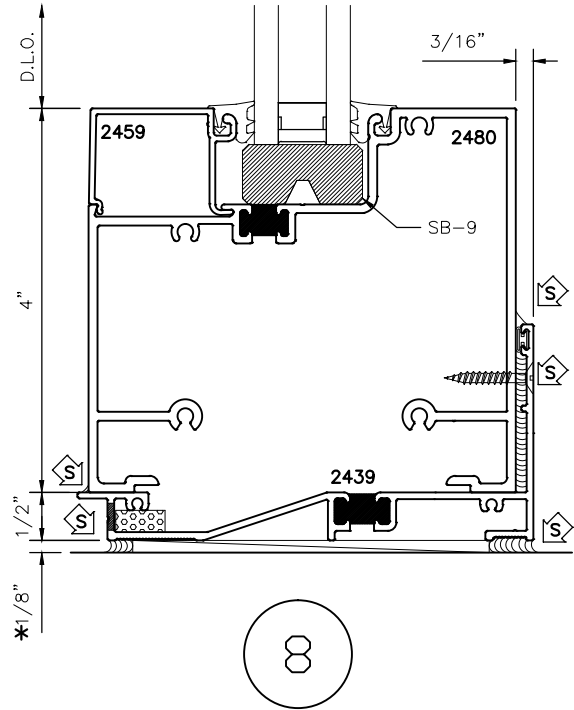
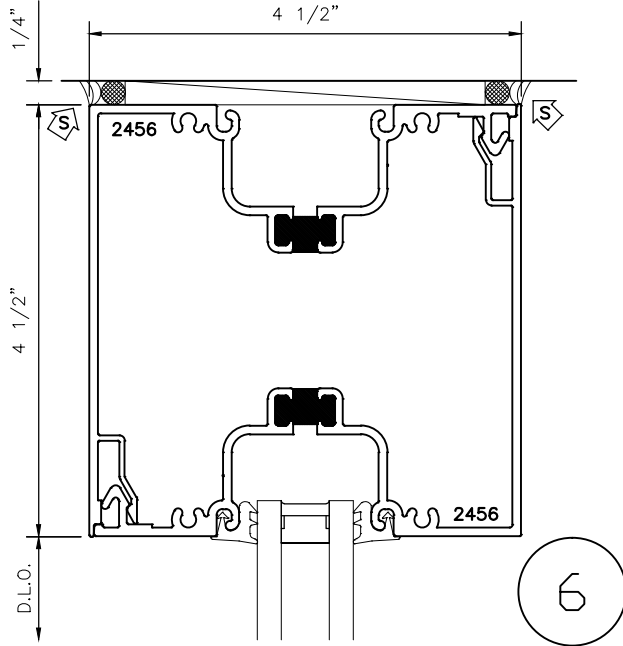


MANKO

2450CG

4 1/2" CENTER GLAZED THERMALLY BROKEN STOREFRONT STANDARD/OPTIONAL DETAILS

* MINIMUM RECOMMENDED FOR THERMAL ISOLATION. INCREASE AS REQUIRED TO COMPLY WITH SEALANT MANUFACTURERS' INSTRUCTIONS



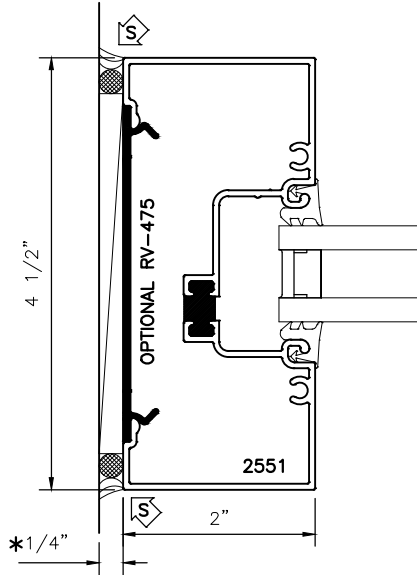


MANKO

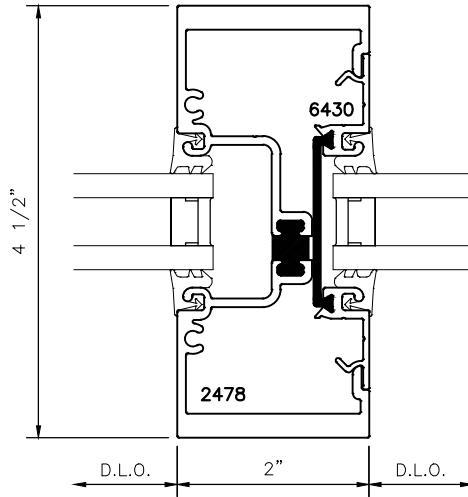
2450CG

4 1/2" CENTER GLAZED THERMALLY BROKEN STOREFRONT STANDARD/OPTIONAL DETAILS

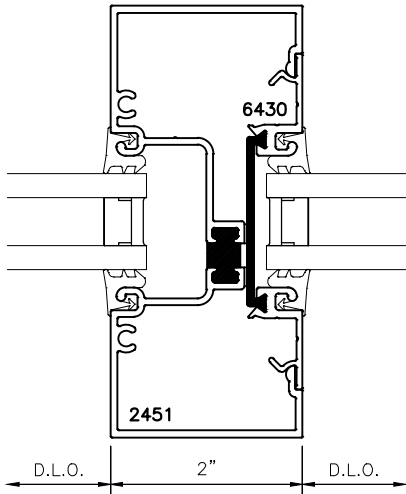
* MINIMUM RECOMMENDED FOR THERMAL ISOLATION.
INCREASE AS REQUIRED TO COMPLY WITH SEALANT
MANUFACTURERS' INSTRUCTIONS



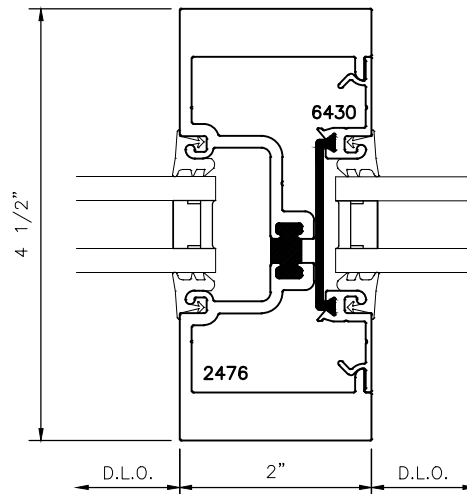
OPT.
9.1



OPT.
10.1



10



OPT.
10.2

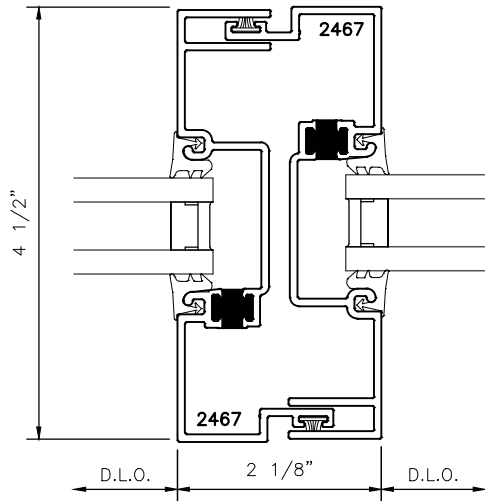


MANKO

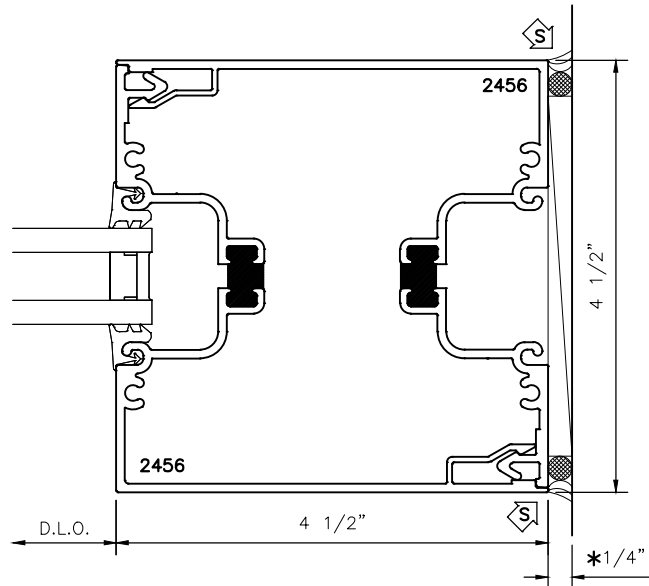
2450CG

4 1/2" CENTER GLAZED THERMALLY BROKEN STOREFRONT STANDARD/OPTIONAL DETAILS

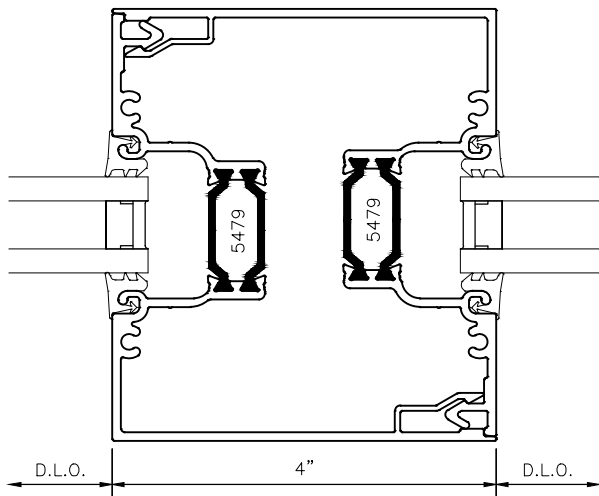
* MINIMUM RECOMMENDED FOR THERMAL ISOLATION.
INCREASE AS REQUIRED TO COMPLY WITH SEALANT
MANUFACTURERS' INSTRUCTIONS



10.3



12



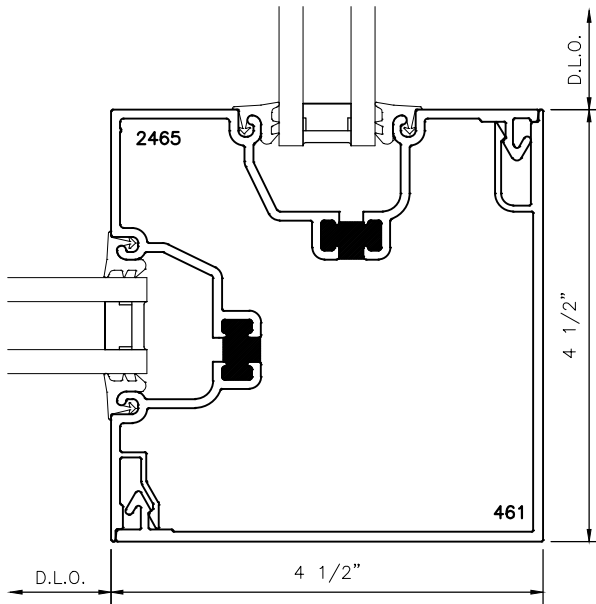
11



MANKO

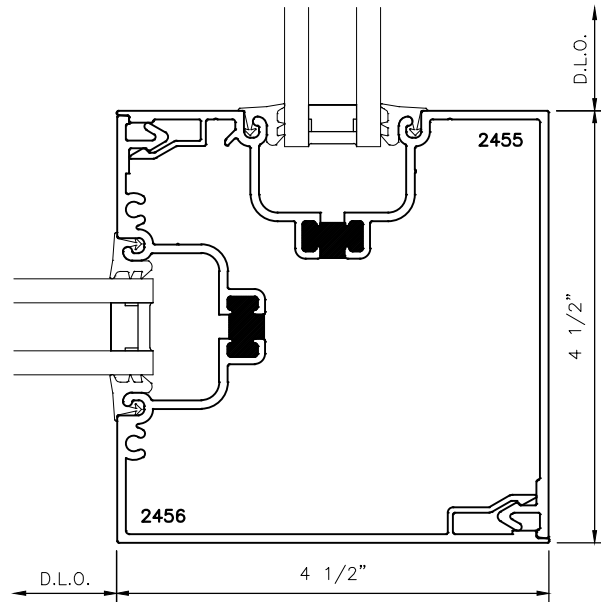
4 1/2" CENTER GLAZED THERMALLY BROKEN STOREFRONT STANDARD/OPTIONAL DETAILS

* MINIMUM RECOMMENDED FOR THERMAL ISOLATION.
INCREASE AS REQUIRED TO COMPLY WITH SEALANT
MANUFACTURERS' INSTRUCTIONS



OPT.

12.1



OPT.

12.2