

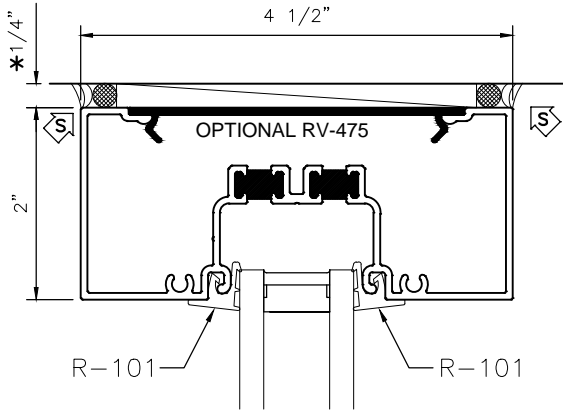


**MANKO**

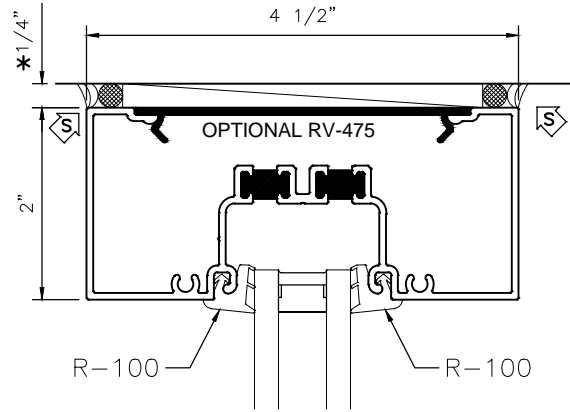
# 2450CGXPT

## 4 1/2" DOUBLE THERMAL STOREFRONT OPT. GLAZING CONFIGURATION

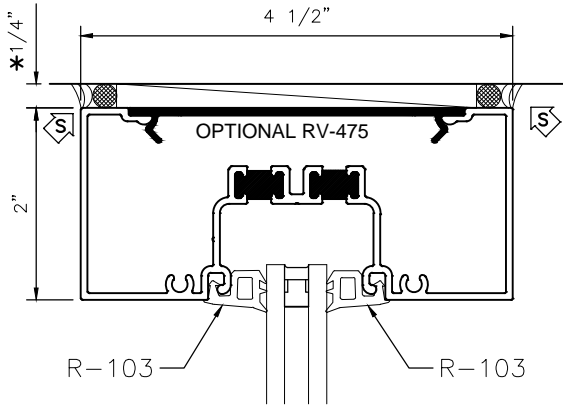
\* MINIMUM RECOMMENDED FOR THERMAL ISOLATION. INCREASE AS REQUIRED TO COMPLY WITH SEALANT MANUFACTURERS' INSTRUCTIONS



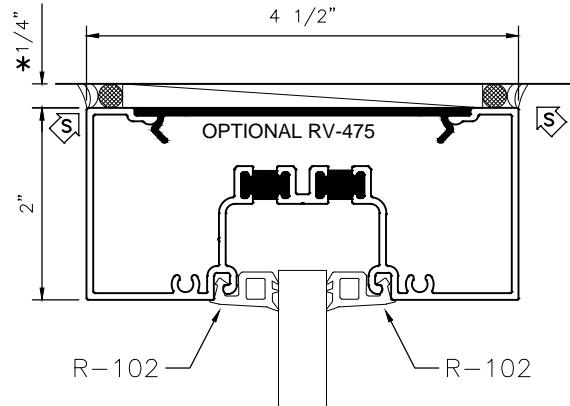
1 1/8" GLAZING



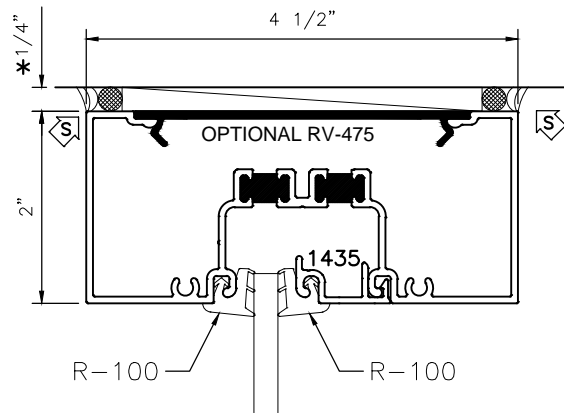
1" GLAZING



5/8" GLAZING



1/2" GLAZING



1/4" GLAZING

**PART # 6451 SHOWN. SIMILAR THROUGHOUT SERIES.**