



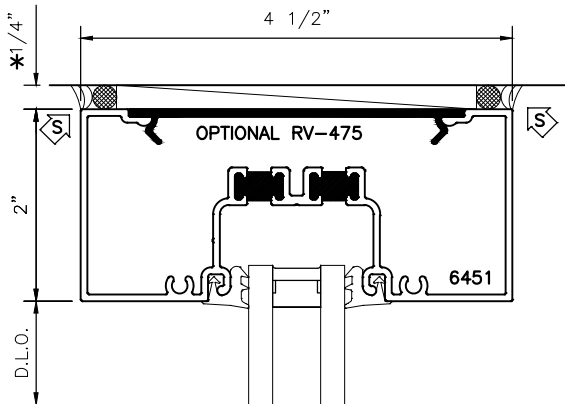
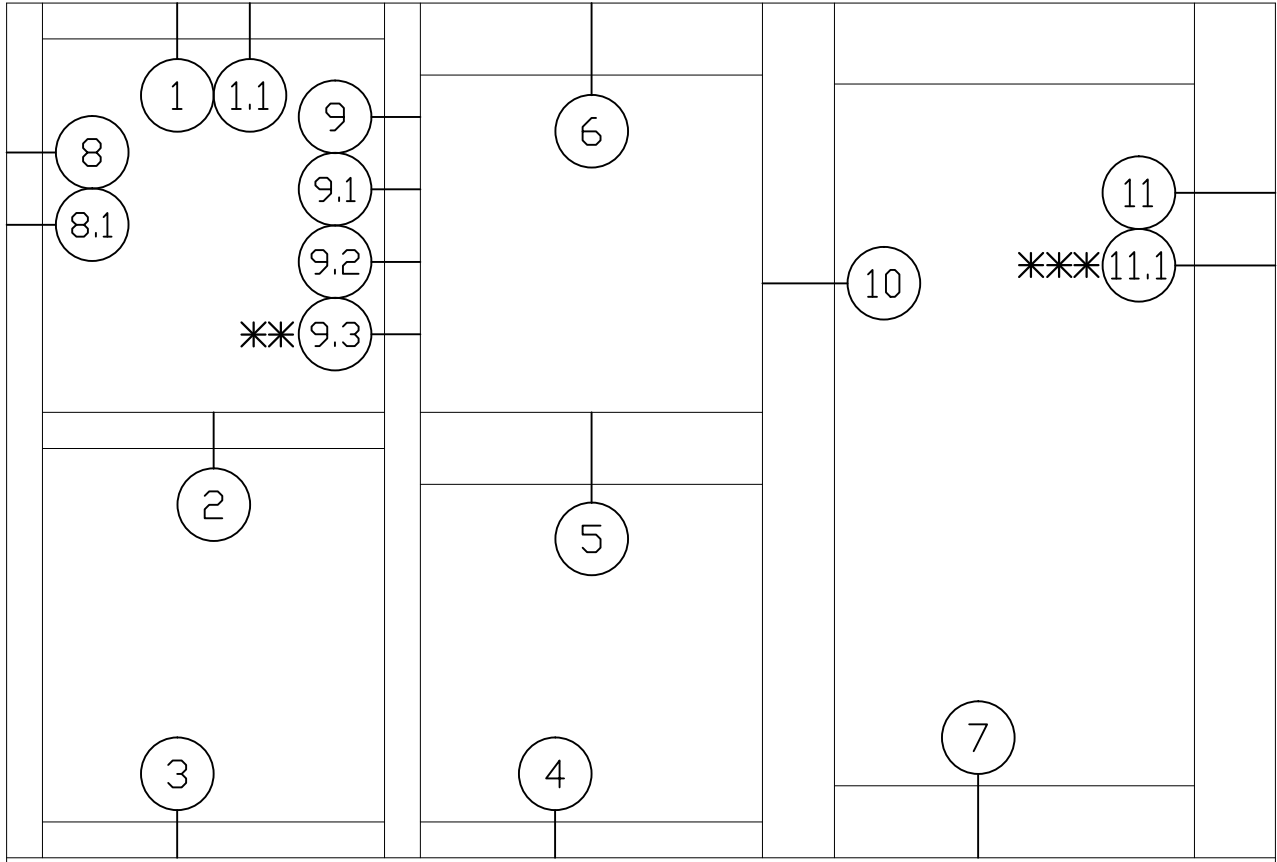
**MANKO**

# 2450CGXPT

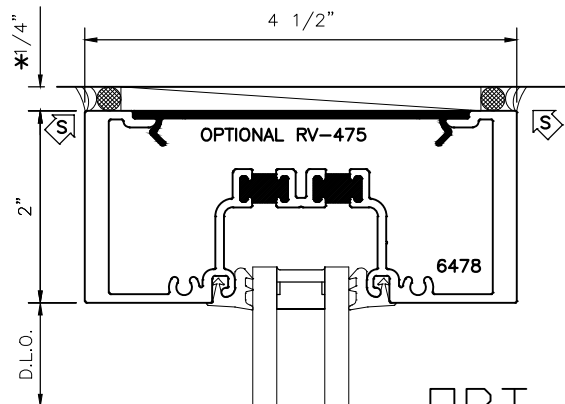
## 4 1/2" DOUBLE THERMAL STOREFRONT

### STANDARD / OPTIONAL DETAILS

\* MINIMUM RECOMMENDED FOR THERMAL ISOLATION. INCREASE AS REQUIRED TO COMPLY WITH SEALANT MANUFACTURERS' INSTRUCTIONS



1



OPT.  
1.1

\*\* 2-1/2" SIGHT LINES IN LIEU OF 2"  
\*\*\* 4" SIGHT LINES IN LIEU OF 2"

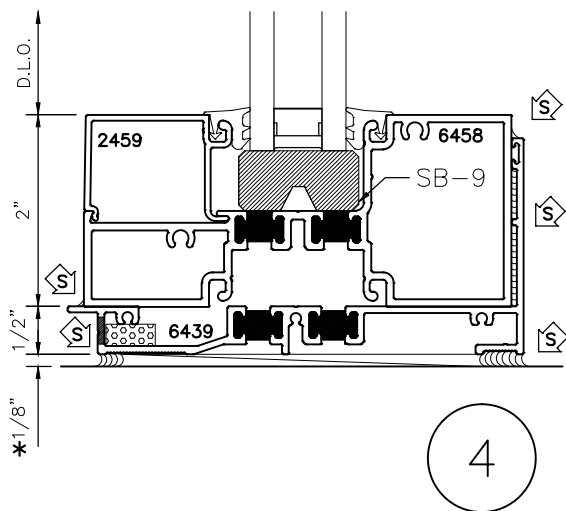
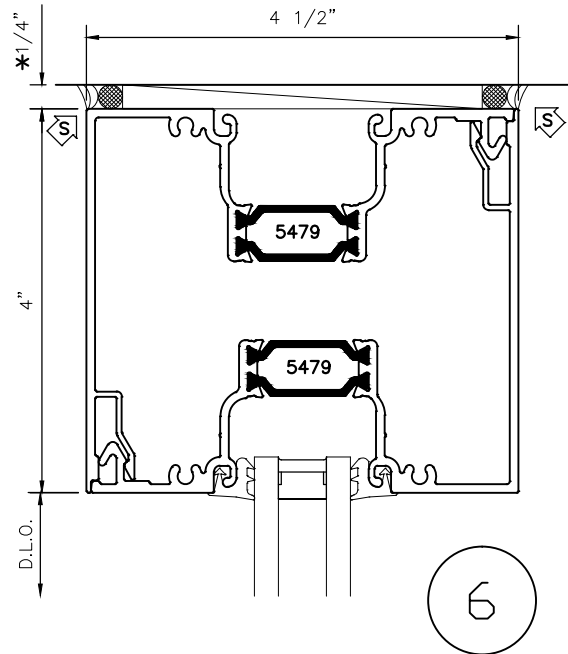
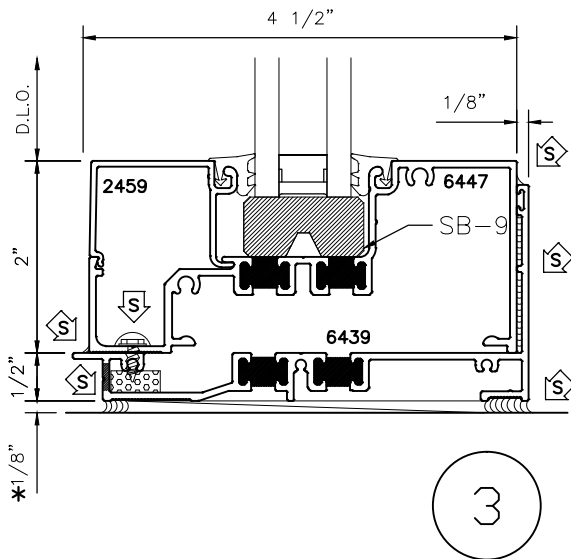
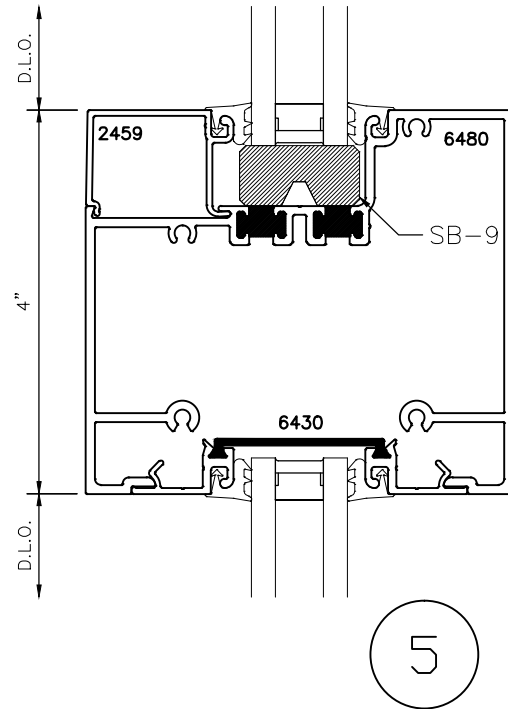
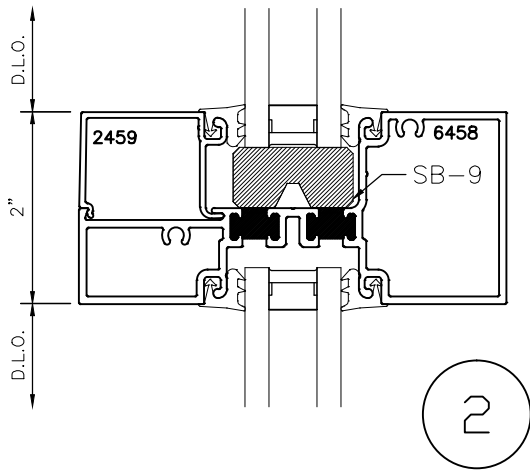


**MANKO**

# 2450CGXPT

## 4 1/2" DOUBLE THERMAL STOREFRONT STANDARD/OPTIONAL DETAILS

\* MINIMUM RECOMMENDED FOR THERMAL ISOLATION.  
INCREASE AS REQUIRED TO COMPLY WITH SEALANT  
MANUFACTURERS' INSTRUCTIONS



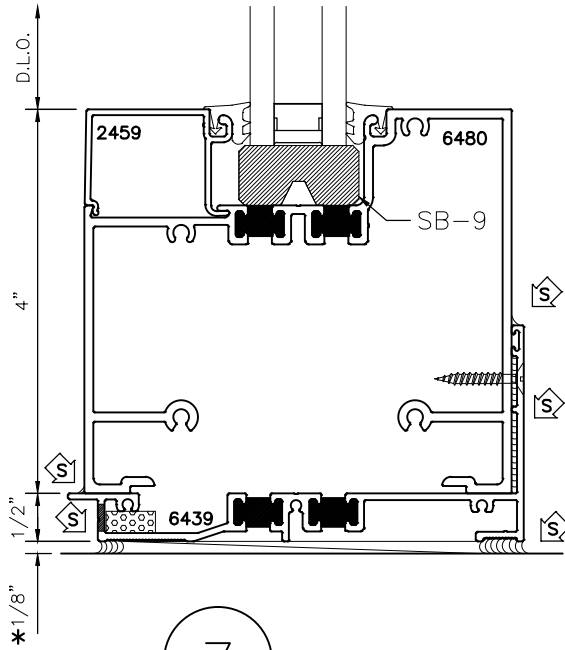


**MANKO**

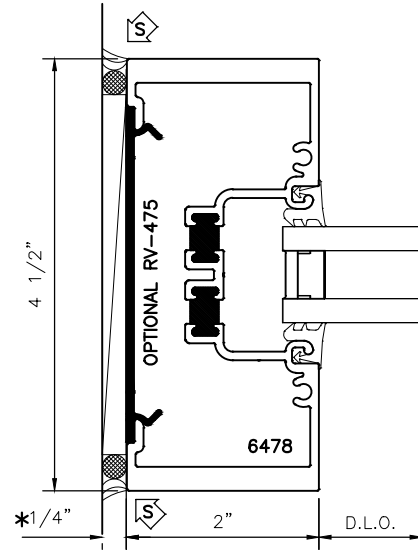
# 2450CGXPT

## 4 1/2" DOUBLE THERMAL STOREFRONT STANDARD/OPTIONAL DETAILS

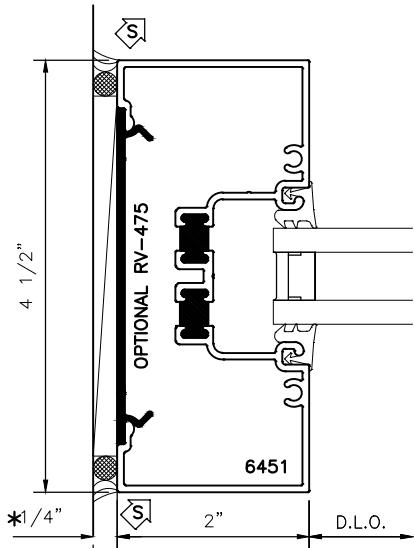
\* MINIMUM RECOMMENDED FOR THERMAL ISOLATION.  
INCREASE AS REQUIRED TO COMPLY WITH SEALANT  
MANUFACTURERS' INSTRUCTIONS



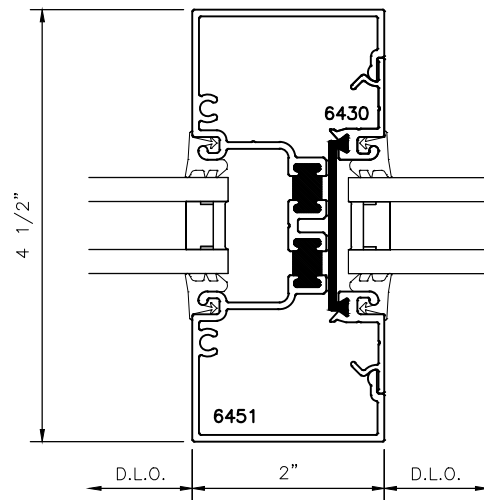
7



OPT.  
8.1



8



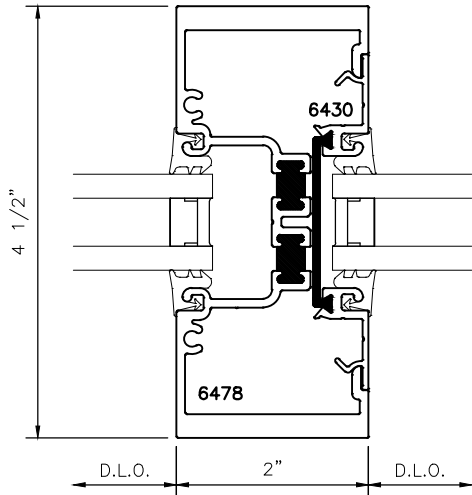
9



**MANKO**

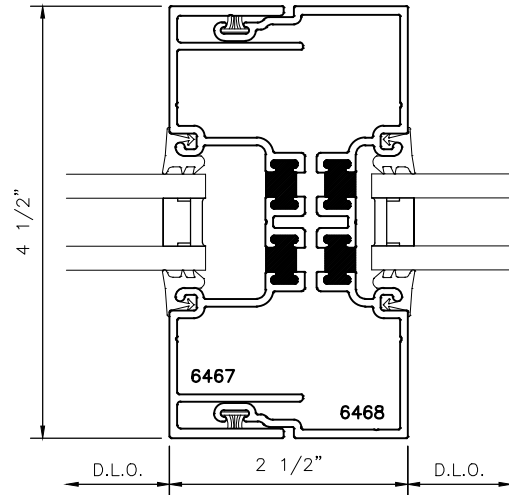
# 2450CGXPT

## 4 1/2" DOUBLE THERMAL STOREFRONT STANDARD/OPTIONAL DETAILS



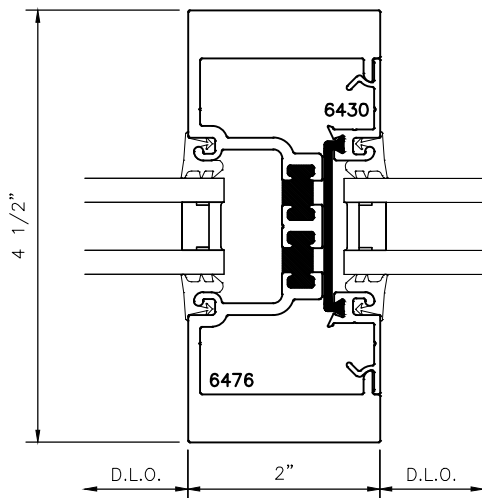
OPT.

9.1



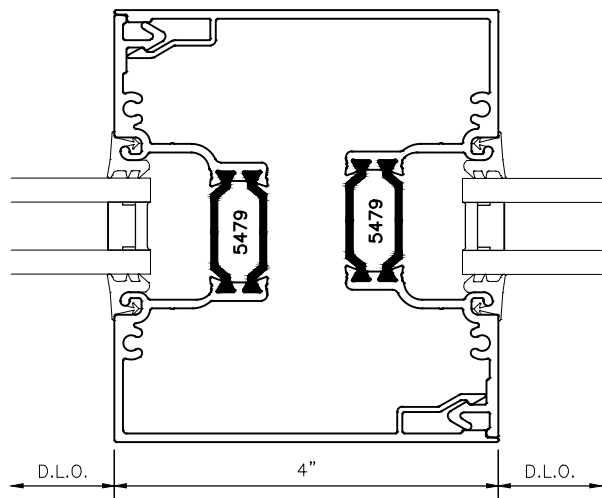
OPT.

\*\*9.3



OPT.

9.2



10

\*\* 2-1/2" SIGHT LINES IN LIEU OF 2"

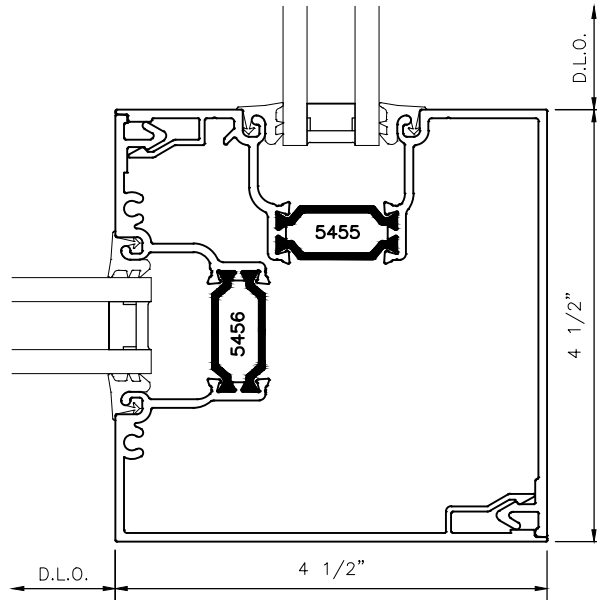


**MANKO**

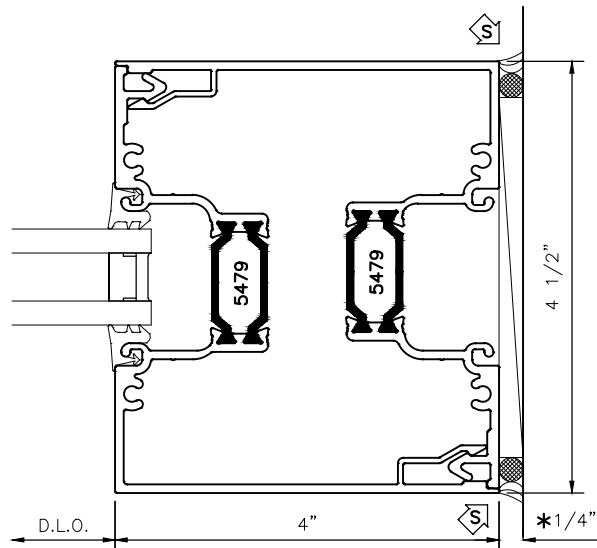
# 2450CGXPT

## 4 1/2" DOUBLE THERMAL STOREFRONT STANDARD/OPTIONAL DETAILS

\* MINIMUM RECOMMENDED FOR THERMAL ISOLATION.  
INCREASE AS REQUIRED TO COMPLY WITH SEALANT  
MANUFACTURERS' INSTRUCTIONS



11



\*\*\*11.1

\*\*\* 4" SIGHT LINES IN LIEU OF 4-1/2"