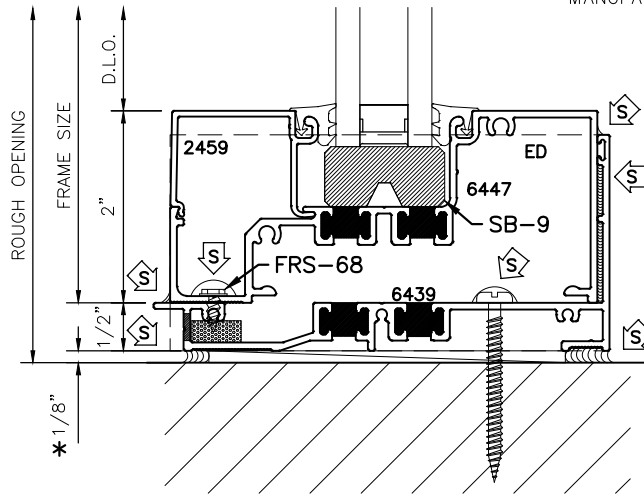




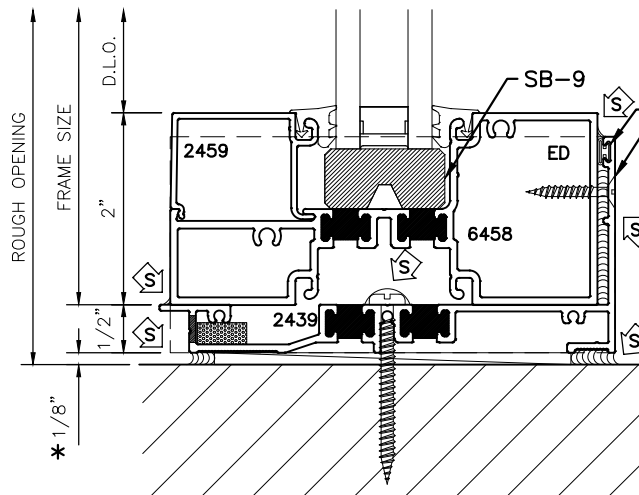
# 2450CGXPT

## 4 1/2" DOUBLE THERMALLY BROKEN STOREFRONT SUB-SILL DETAILS

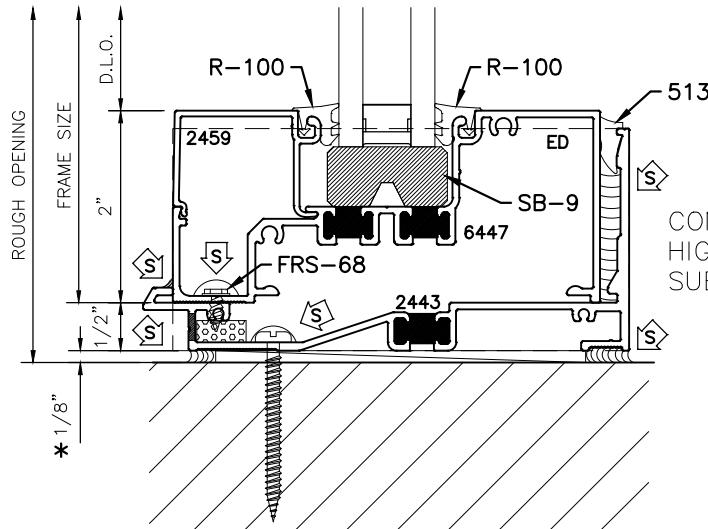
\*MINIMUM RECOMMENDED FOR THERMAL ISOLATION.  
INCREASE AS REQUIRED TO COMPLY WITH SEALANT  
MANUFACTURERS' INSTRUCTIONS



CONCEALED FASTENER.



EXPOSED FASTENER.



CONCEALED FASTENER.  
HIGH PERFORMANCE  
SUB-SILL