

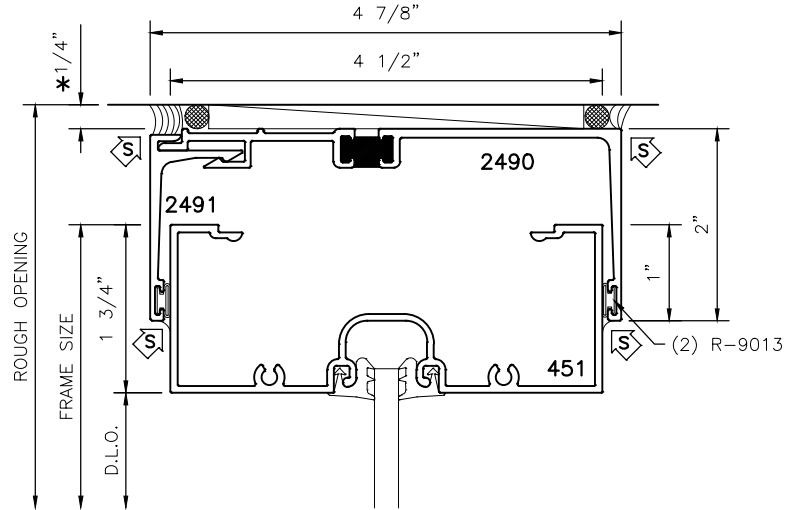


MANKO

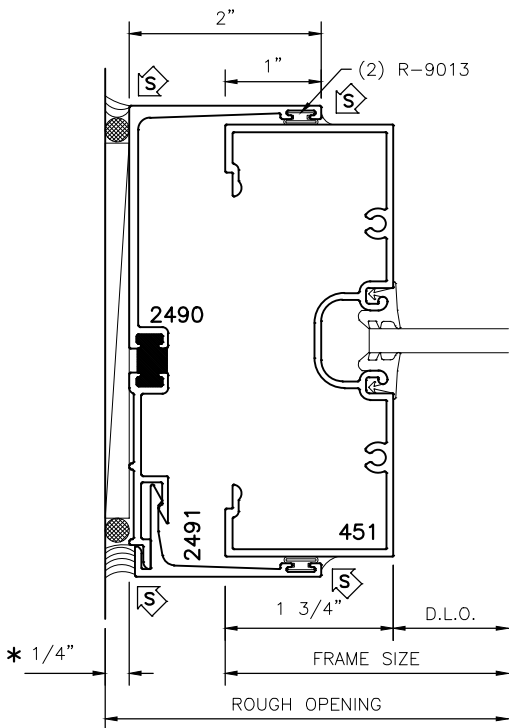
450

1 3/4" X 4 1/2" NON-THERMAL STOREFRONT RECEPTOR DETAILS

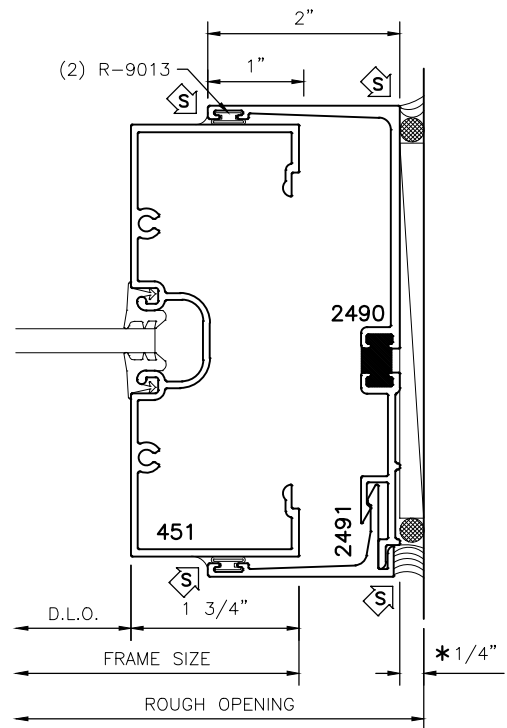
* MINIMUM RECOMMENDED FOR THERMAL ISOLATION. INCREASE AS REQUIRED TO COMPLY WITH SEALANT MANUFACTURERS' INSTRUCTIONS



HEAD



LEFT JAMB



RIGHT JAMB

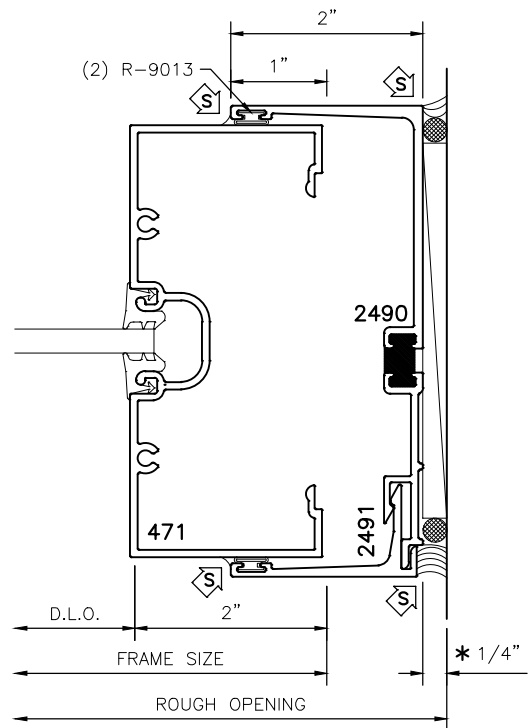
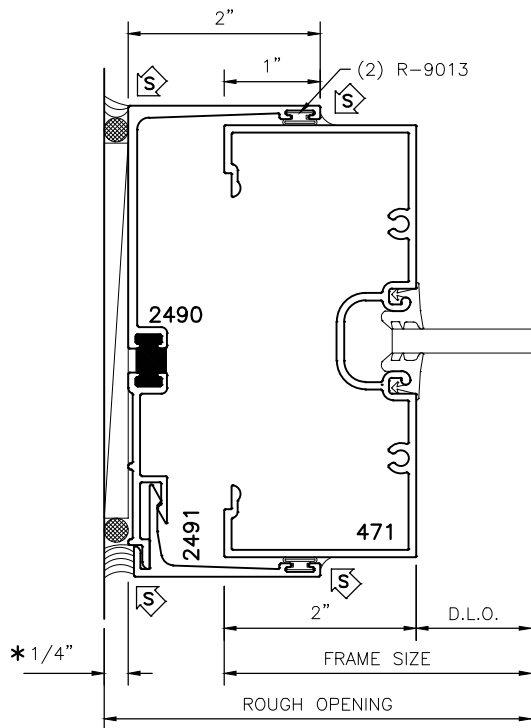
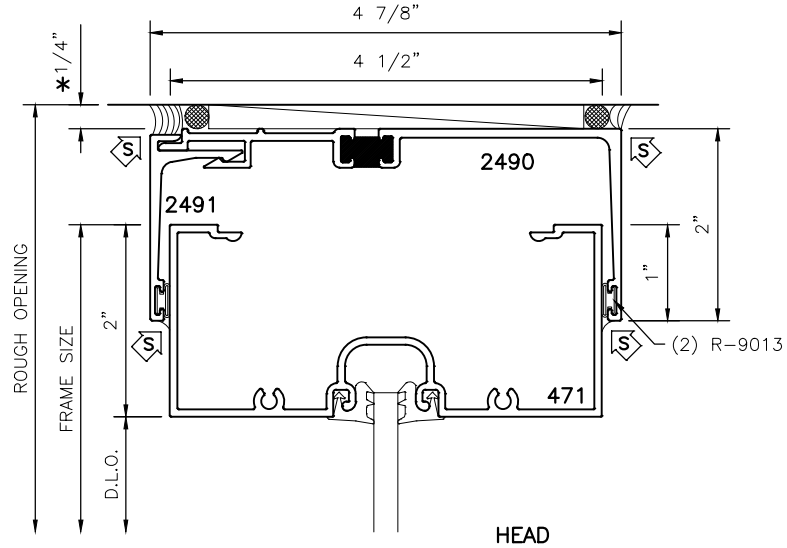


MANKO

450

2" X 4 1/2" NON-THERMAL STOREFRONT RECEPTOR DETAILS

* MINIMUM RECOMMENDED FOR THERMAL ISOLATION. INCREASE AS REQUIRED TO COMPLY WITH SEALANT MANUFACTURERS' INSTRUCTIONS



LEFT JAMB

RIGHT JAMB